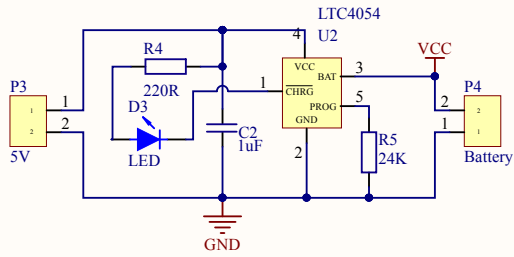
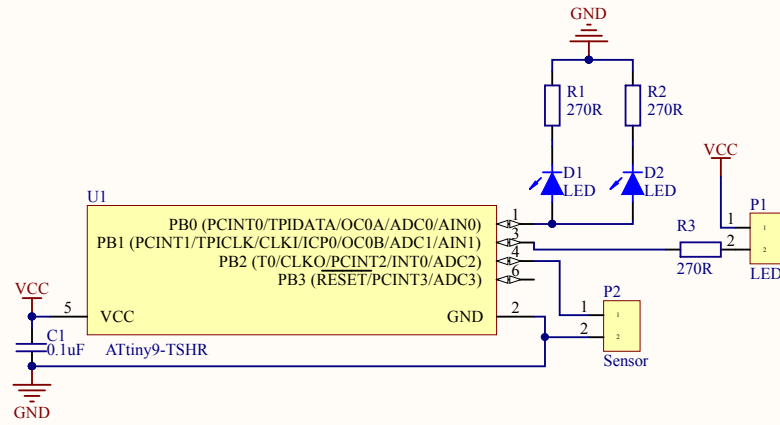


Comment	Designator	Footprint	Value
Cap	C1, C2	SMD0603_1608metric	0.1uF, 1uF
LED	D1, D2, D3	SMD1206_3216metric-LED	
LED	P1	Edge connector 1.0x2 SMD	
Sensor	P2	Edge connector 1.0x2 SMD	
5V	P3	Edge connector 1.0x2 SMD	
Battery	P4	Edge connector 1.0x2 SMD	
Resistor	R1, R2, R3, R4, R5	SMD0603_1608metric	270R, 270R, 270R, 220R, 24K
ATtiny9-TSHR	U1	SOT23-6	
LTC4054	U2	SOT23-5	



Title		
Size A4	Number	Revision
Date:	12.05.2014	Sheet of
File:	C:\Users\...\p7017 tufly.SchDoc	Drawn By:

