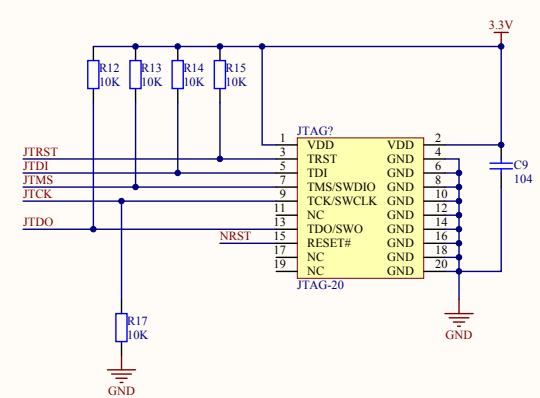
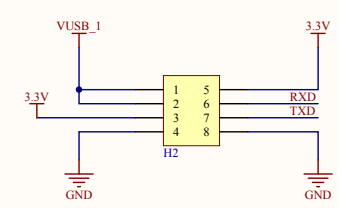
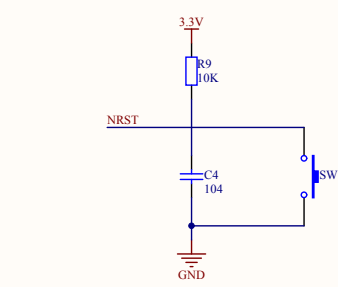
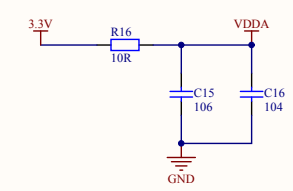
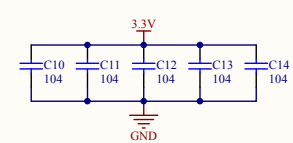
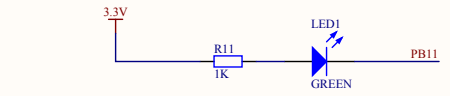


VBAT	1	VBAT	64	VDD	63	GND	3.3V
PC13	2	PC13/ANT1	VSS	62	PB9		
OSC32_1	3	PC14/OSC32	PB9/TIM4_CH4	61	PB8		
OSC32_2	4	PC15/OSC32	PB8/TIM4_CH3	60	BOOT0		
OSCIN	5	PD0	BOOT0	59	PB7		
OSCOUT	6	PD1	PB7/I2C1_SDA/TIM4_CH2	58	PB6		
NRST	7	NRST	PB6/I2C1_SCL/TIM4_CH1	57	PB5		
PC0	8	PC0/ADC10	PB5/I2C1_SMBAL	56	PB4	JTRST	
PC1	9	PC1/ADC11	PB4/INTRST	55	PB3	JTDO	
PC2	10	PC2/ADC12	PB3/JTDO/TRACESWO	54	PD2		
PC3	11	PC3/ADC13	PD2/TIM3_ETR	53	PC12		
GND	12	VSSA	PC12	52	PC11		
VDDA	13	VDDA	PC11	51	PC10		
PA0	14	PA0/WKUP/ADC0/TIM2_CH1_ETR	PC10	50	PA15	JTDI	
PA1	15	PA1/ADC1/TIM2_CH2	PA15/JTDI	49	PA14	JTCK	
PA2	16	PA2/U2_TX/ADC2/TIM2_CH3	PA14/JTCK/SWCLK	48			
PA3	17	PA3/U2_RX/ADC3/TIM2_CH4	VDD	47	GND	3.3V	
GND	18	VSS	VSS	46	PA13	JTMS	
PA4	20	VDD	PA13/JTMS/SWDIO	45	PA12	USB_D+	
PA5	21	PA4/SPI1_NSS/ADC4	PA12/CAN_TX/USBBDP/TIM1_ETR	44	PA11	USB_D-	
PA6	22	PA5/SPI1_SCK/ADC5	PA11/CAN_RX/USBDM/TIM1_CH4	43	PA10	RXD	
PA7	23	PA6/SPI1_MISO/ADC6/TIM3_CH1	PA10/U1_RX/TIM1_CH3	42	PA9	TXD	
PA8	24	PA7/SPI1_MOSI/ADC7/TIM3_CH2	PA9/U1_TX/TIM1_CH2	41	PA8		
PC4	25	PC4/ADC14	PA8/TIM1_CH1/MCO	40	PC9		
PC5	25	PC5/ADC15	PC9	39	PC8		
PB0	26	PB0/ADC8/TIM3_CH3	PC8	38	PC7		
PB1	27	PB1/ADC9/TIM3_CH4	PC7	37	PC6		
BOOT1	28	PB2/BOOT1	PC6	36	PB15		
PB10	29	PB10/I2C2_SCL/U3_TX	PB15/SPI2_MOSI/TIM1_CH3N	35	PB14		
PB11	30	PB11/I2C2_SDA/U3_RX	PB14/SPI2_MISO/TIM1_CH3N	34	PB13		
GND	31	VSS	PB13/SPI2_SCK/TIM1_CH1N	33	PB12		
VDD	32	VDD	PB12/SPI2_NSS/I2C2_SMBAL/TIM1_BKIN				



PC13	1	30	VBAT
PC15	2	29	PC14
PD1	3	28	PD0
PC0	4	27	NRST
PC2	5	26	PC1
GND	6	25	PC3
PA0	7	24	VDDA
PA2	8	23	PA1
GND	9	22	PA3
PA4	10	21	3.3V
PA5	11	20	PA6
PA7	12	19	PA4
PC5	13	18	PC8
PB1	14	17	PB0
PB10	15	16	PB2

PB8	1	30	PB9
PB7	2	29	3.3V
PB5	3	28	PB6
PB3	4	27	PB4
PC12	5	26	PC11
PC10	6	25	PA15
PA14	7	24	3.3V
GND	8	23	PA13
PA12	9	22	PA11
PA10	10	21	PA10
PA8	11	20	PA9
PC8	12	19	PC9
PC5	13	18	PC7
PB14	14	17	PB15
PB12	15	16	PB13



Title		
Size	Number	Revision
A3		
Date:	2016-09-06	Sheet of
File:	F:\STM32F103R.SchDoc	Drawn By: