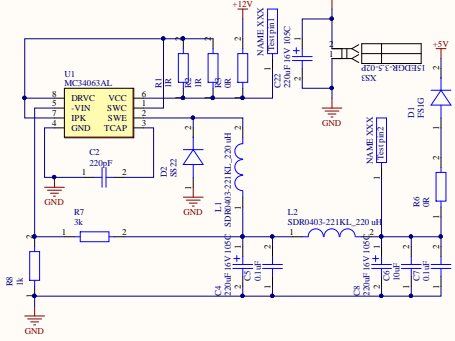
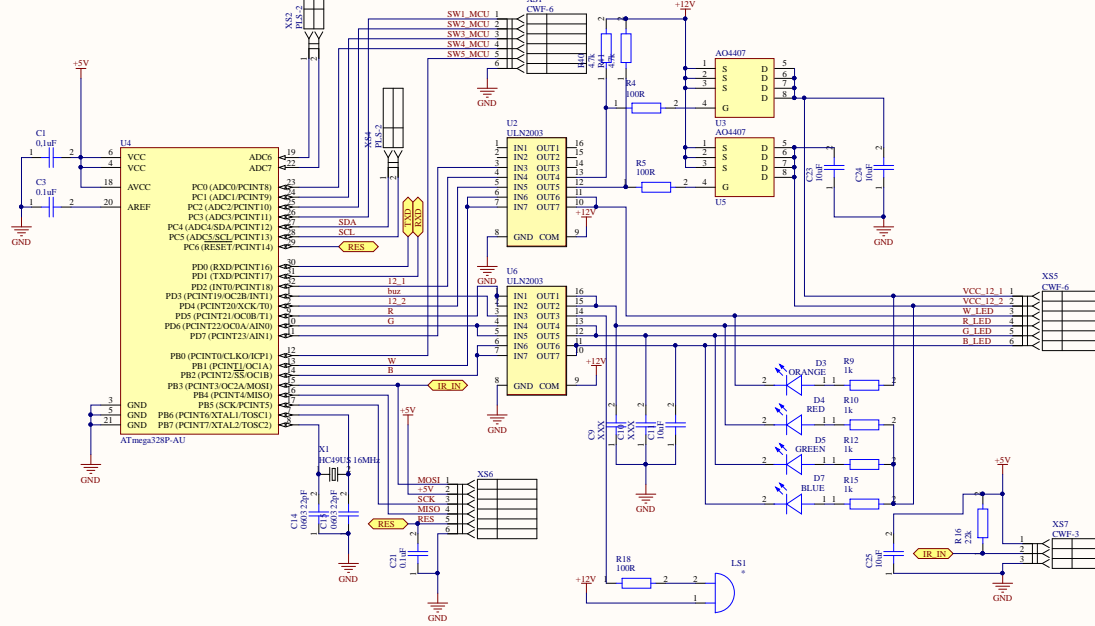


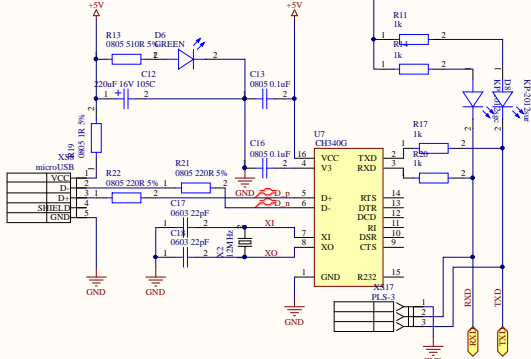
POWER DC/DC 12V_to_5V



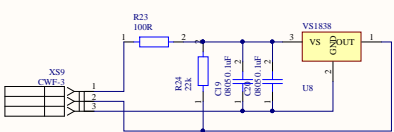
MCU_Atmega_328P



USB_UART



IR_RECEIVER



Title		
Size	Number	Revision
A2		
Date:	20/09/2018	Sheet of
File:	C:\Users\shen1\SchDoc	Drawn By: