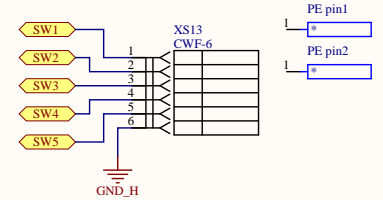
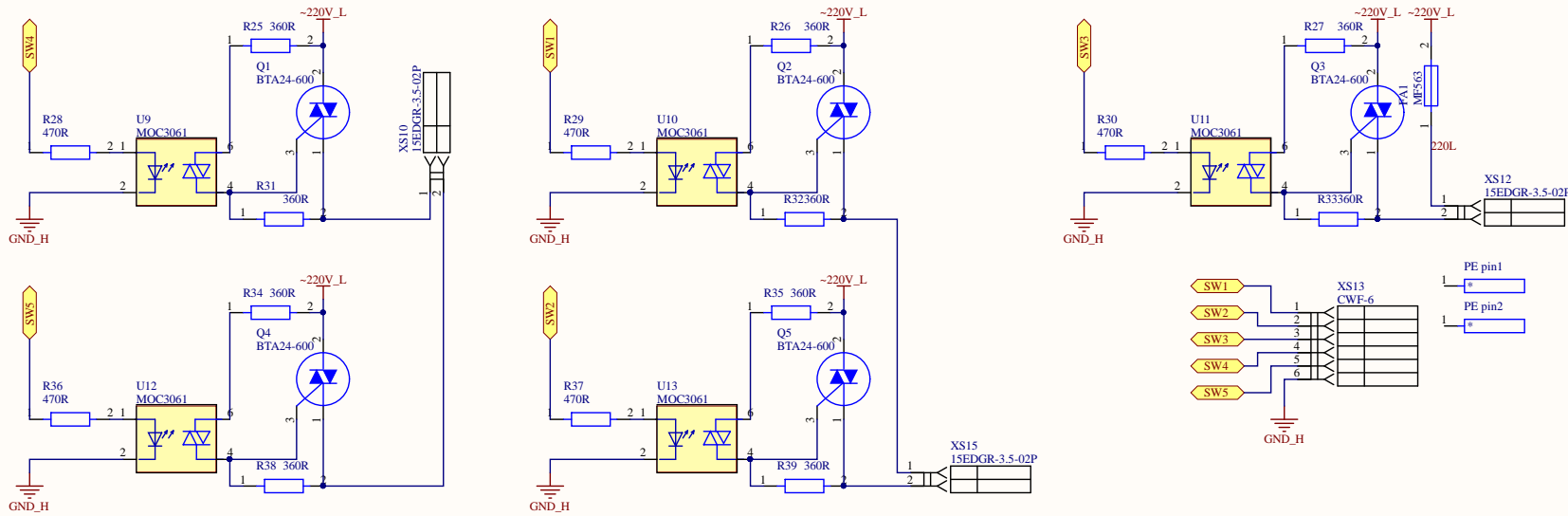


# HIGH\_VOLTAGE



Title		
Size A3	Number	Revision
Date: 20.09.2018	Sheet C:\Users\...Sheet2.SchDoc	of 8
File:	Drawn By:	