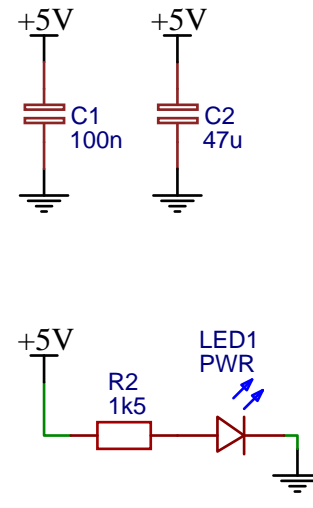
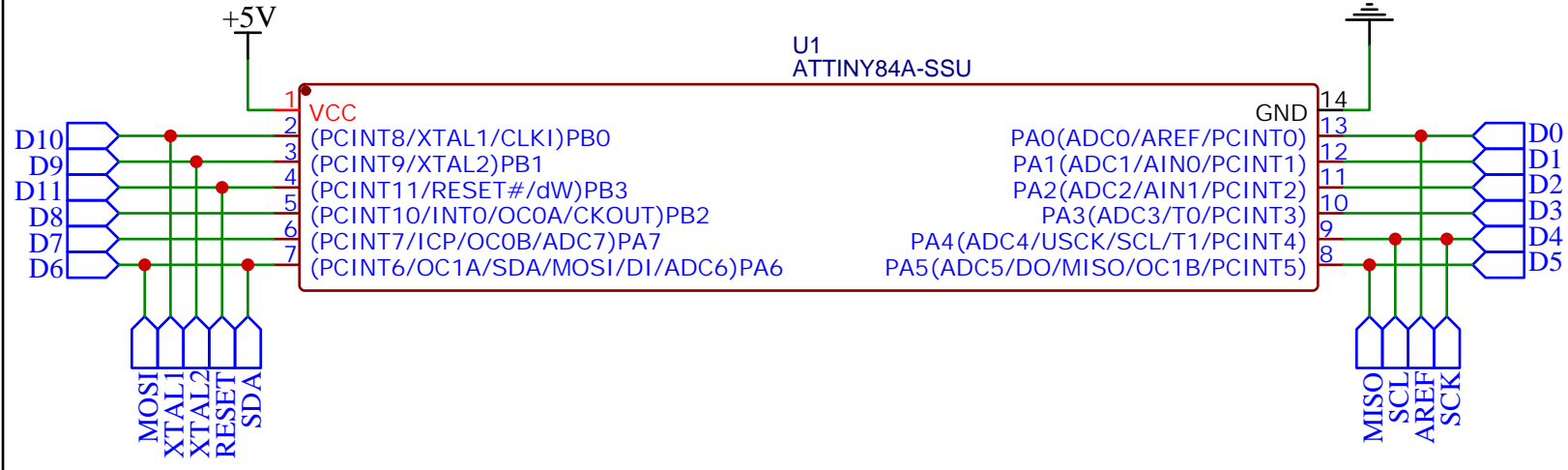
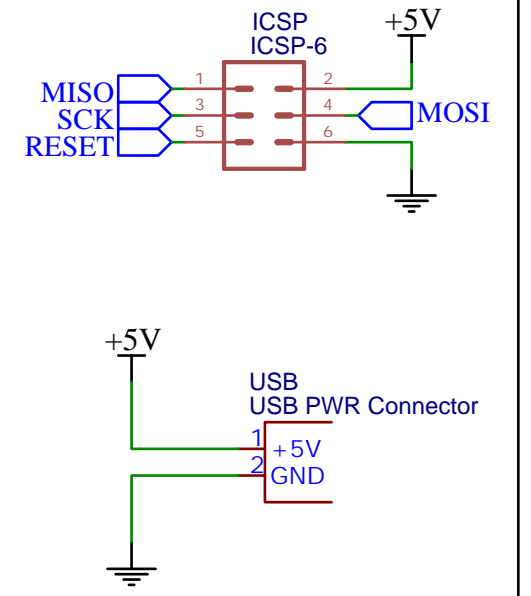


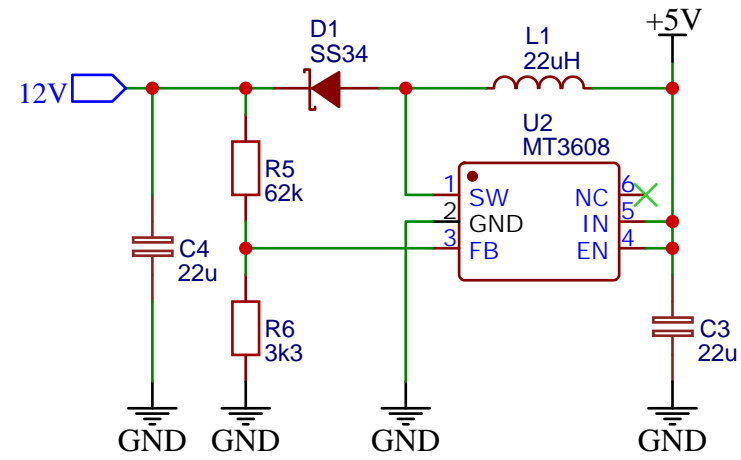
### ATtiny84 Microcontroller



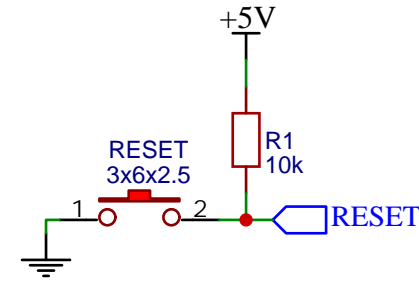
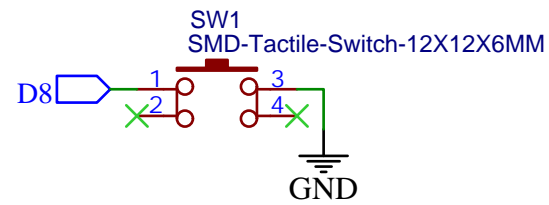
### Connectors



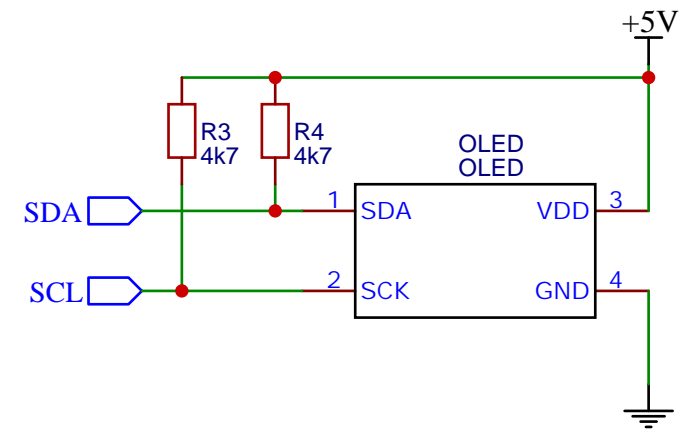
### 12V Boost Converter



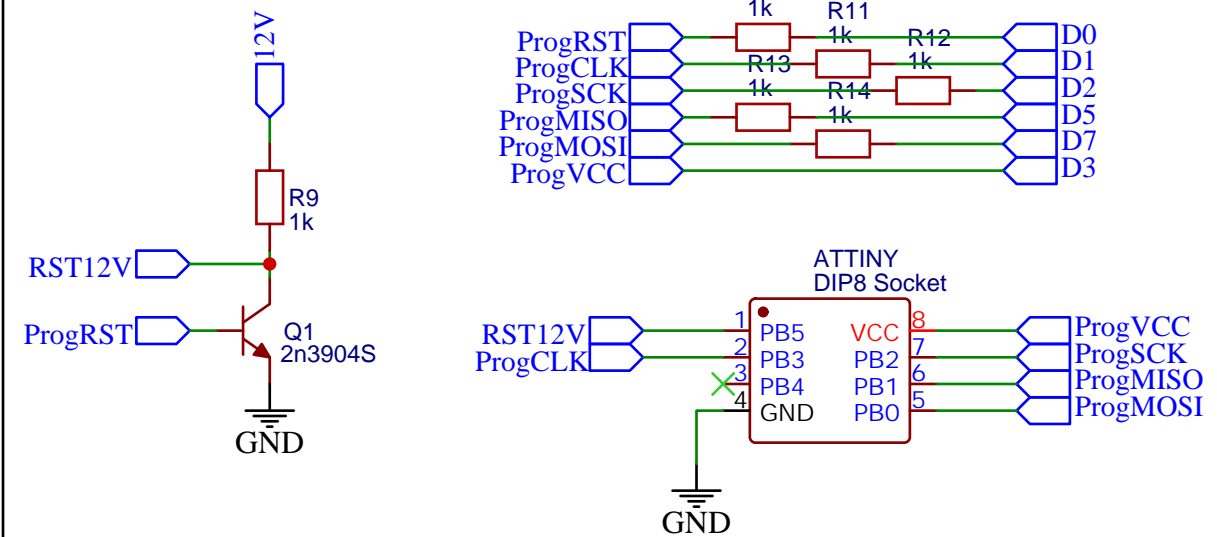
### Buttons / Switches



### OLED Screen



### Programming Interface



TITLE: <b>Tiny High Voltage Serial Programmer</b>		REV: 1.0
Company:		Sheet: 1/1
Date:	Drawn By:	