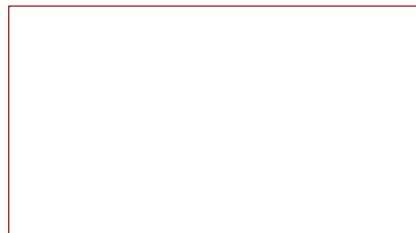
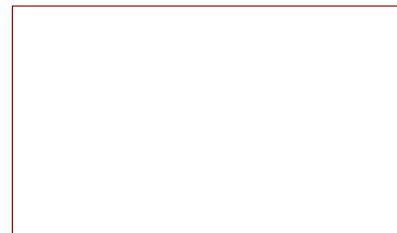


Nucleo Connector



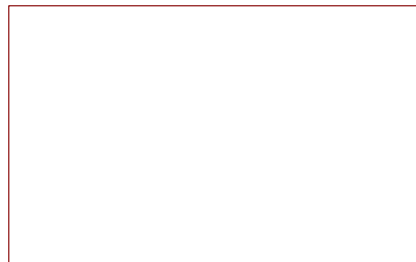
File: Connector\_to\_board\_Nucleo-F072RB.kicad\_sch

POWER



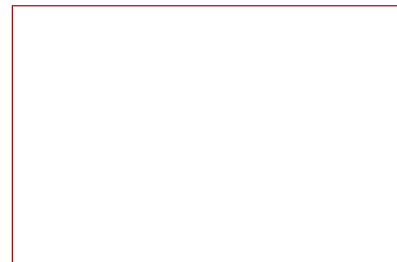
File: POWER.kicad\_sch

MEASURING



File: MEASURING.kicad\_sch

DUT\_OPA\_CONNECTOR



File: OPA\_CONNECTOR.kicad\_sch

**SblSoft**

Sheet: /

File: TST\_BOARD.kicad\_sch

**Title: OPA\_TESTER**

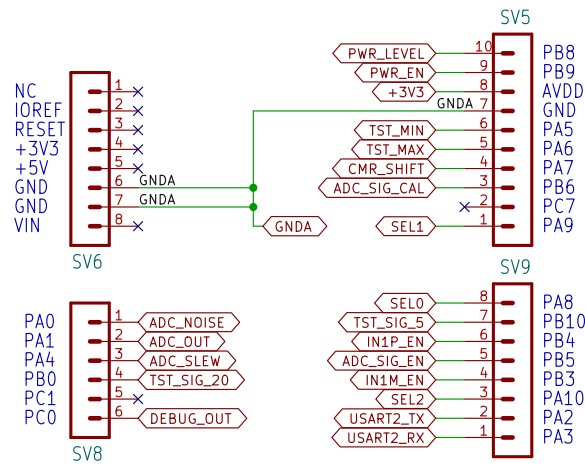
Size: A4

Date:

KiCad E.D.A. kicad (6.0.4)

**Rev: 1.1**

Id: #/5

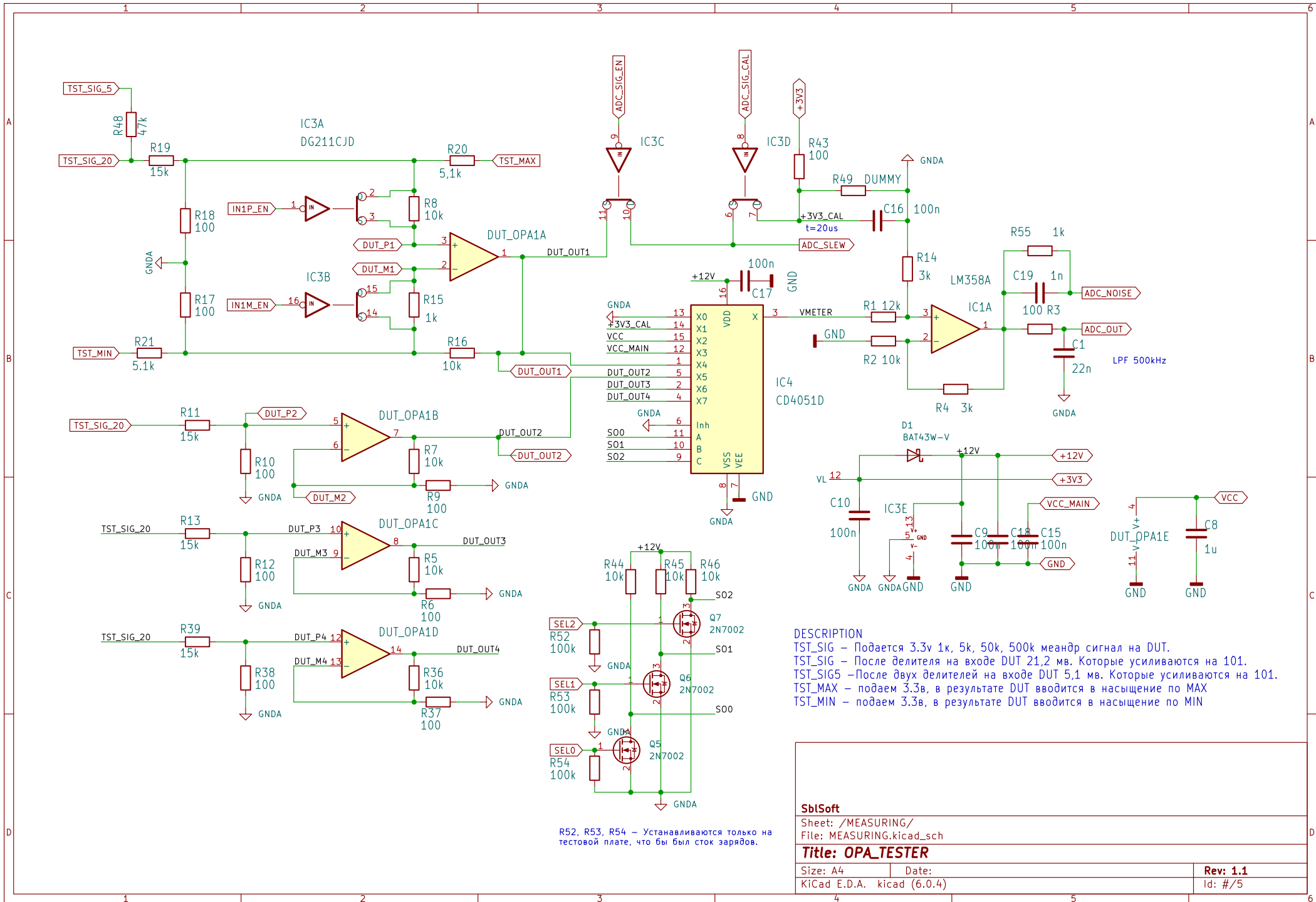


**SblSoft**

Sheet: /Nucleo Connector/  
 File: Connector\_to\_board\_Nucleo-F072RB.kicad\_sch

**Title: OPA\_TESTER**

Size: A4	Date:	<b>Rev: 1.1</b>
KiCad E.D.A. kicad (6.0.4)		Id: #/5



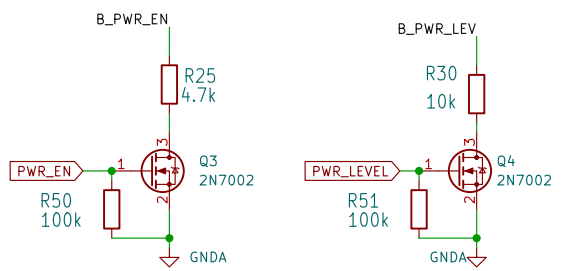
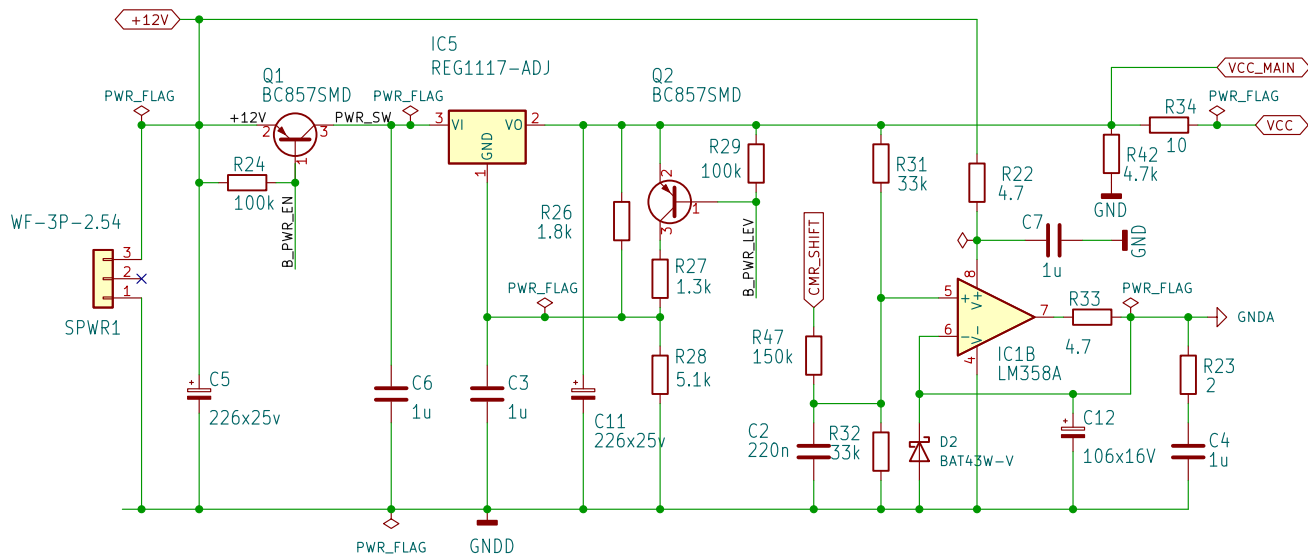
**SblSoft**

Sheet: /MEASURING/  
File: MEASURING.kicad\_sch

**Title: OPA\_TESTER**

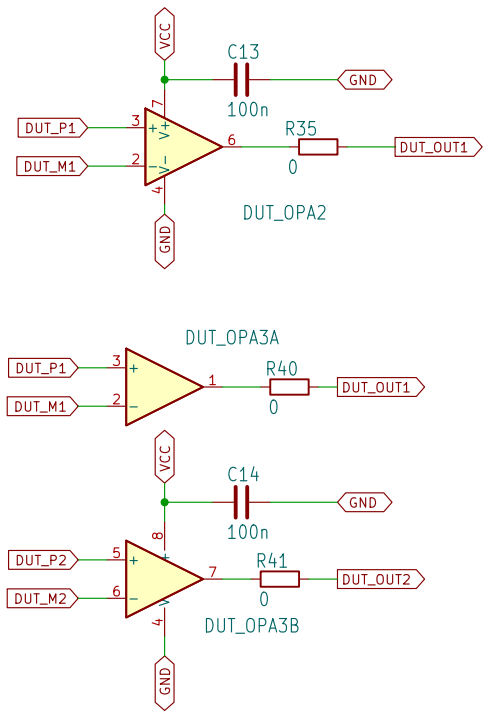
Size: A4 Date:  
KiCad E.D.A. kicad (6.0.4)

Rev: 1.1  
Id: #/5



R50, R51 – Устанавливаются только на тестовой плате, что бы был сток зарядов.

<b>SblSoft</b>	
Sheet: /POWER/	
File: POWER.kicad_sch	
<b>Title: OPA_TESTER</b>	
Size: A4	Date:
KiCad E.D.A. kicad (6.0.4)	<b>Rev: 1.1</b>
	Id: #/5



SblSoft

Sheet: /DUT\_OPA CONNECTOR/  
 File: OPA\_CONNECTOR.kicad\_sch

**Title: OPA\_TESTER**

Size: A4 Date:  
 KiCad E.D.A. kicad (6.0.4)

**Rev: 1.1**  
 Id: #/5