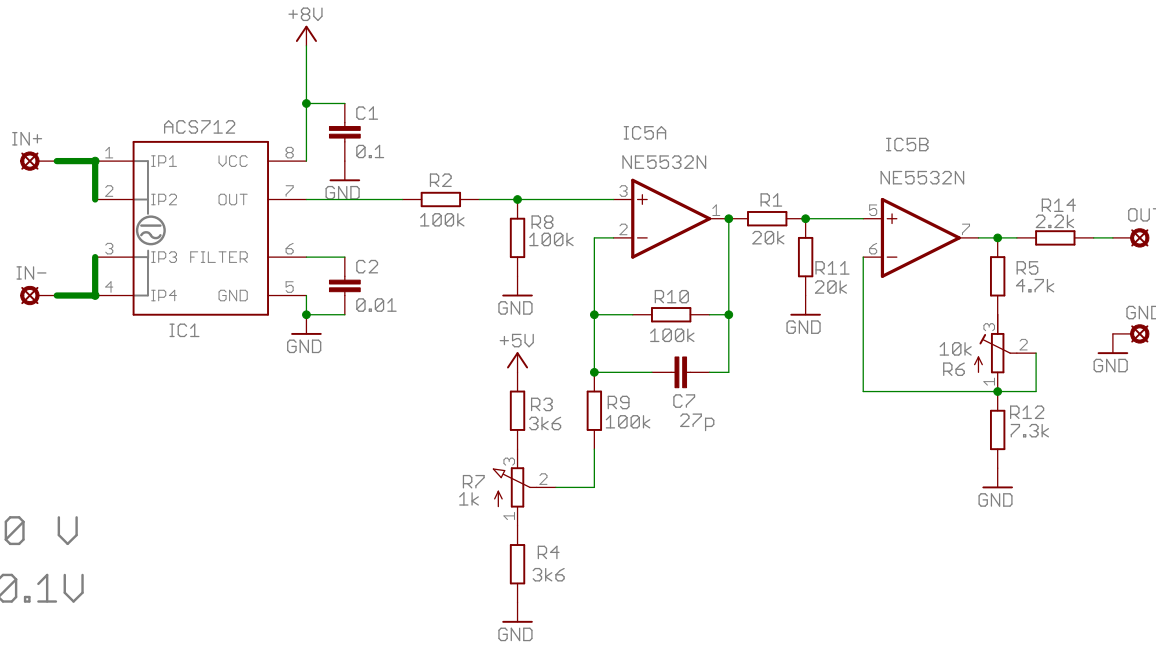
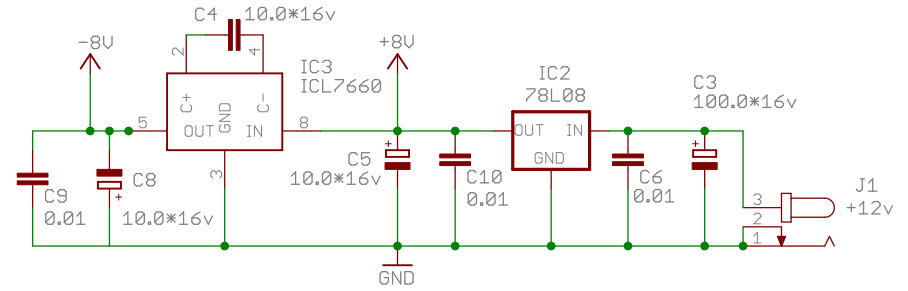
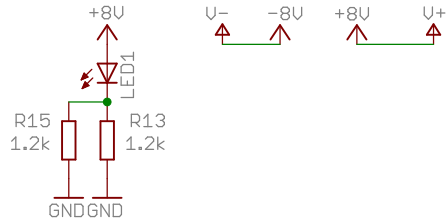


- H1 2.8
- H2 2.8
- H3 2.8
- H4 2.8



0 A = 0 V
1A = 0.1V

TITLE: ACS715	
Document Number:	REV:
Date: ?? ???????????!	Sheet: 1/1