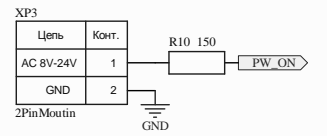
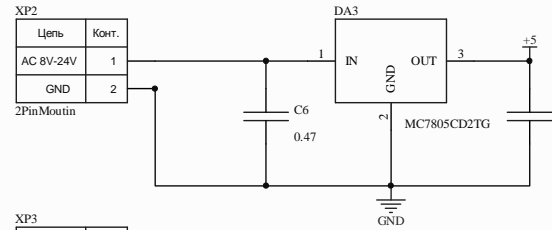
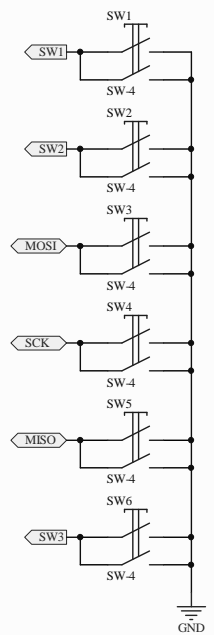
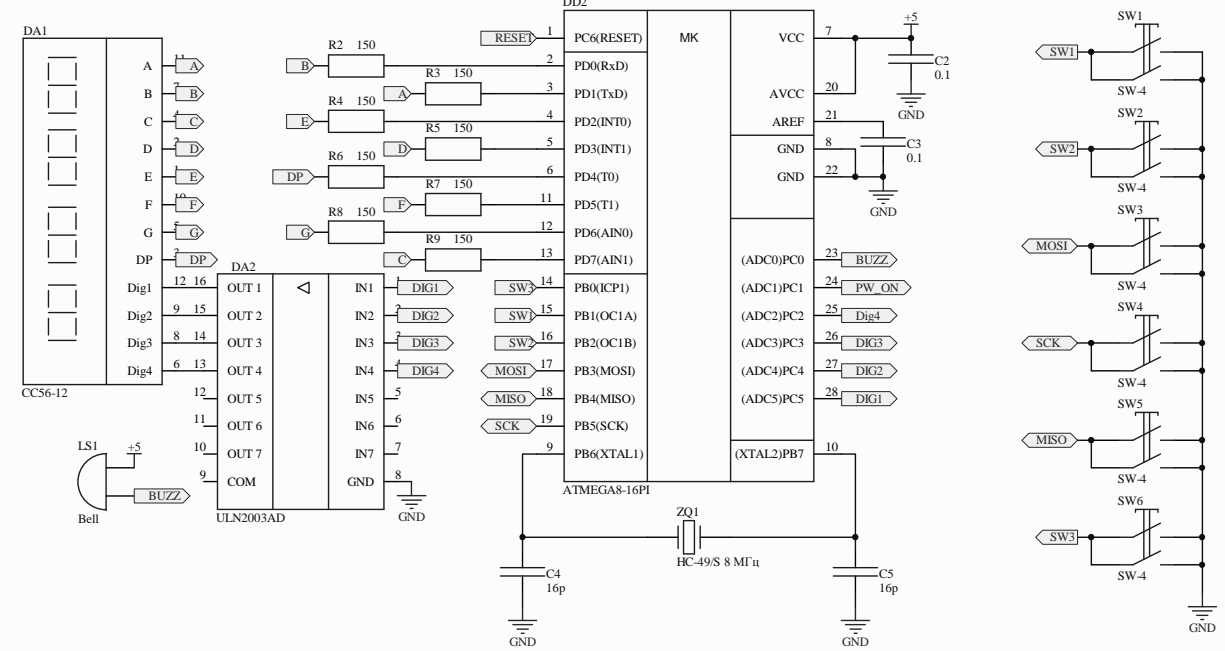


XP1

Pin	Chain
SCK	1 MISO
+5V	2 VTG
MISO	3 SCK
GND	4 MOSI
MOSI	5 RESET
RESET	6 GND

ISP6PIN



Title		
Size	Number	Revision
A3		
Date:	25.04.2012	Sheet of
File:	Н:\проекты_электроника\...\Timer.SchDoc\Drawn By:	