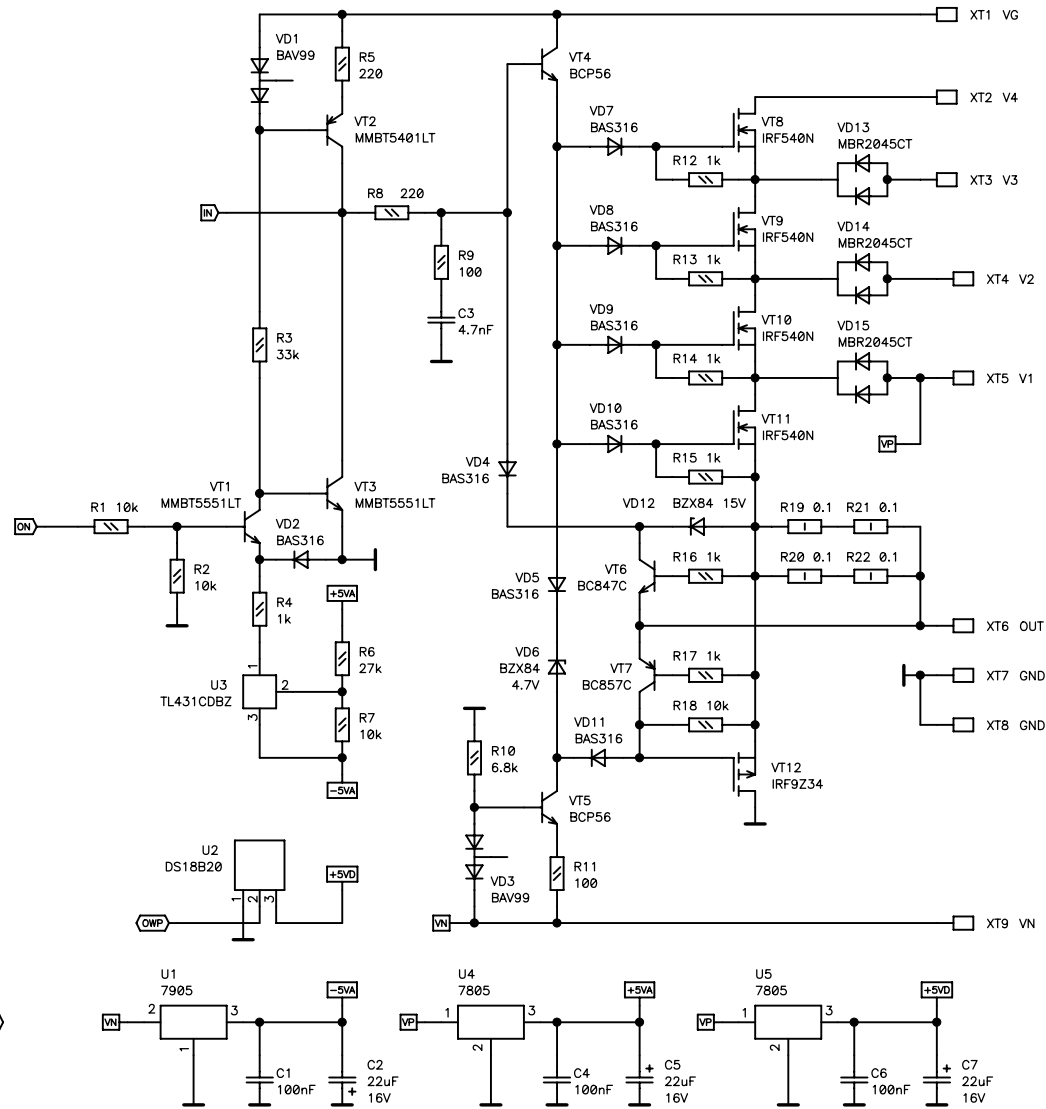


XP1
IDC-10MS
OUT STAGE BOARD

+5VA	1	+5VA
GNDA	2	
-5VA	3	-5VA
IN	4	IN
+5VD	5	+5VD
ON	6	ON
OWP	7	OWP
GNDD	8	
NC	9	
NC	10	



Company Name			NSM lab		
Size	Title			Rev	
A35	PSL-3604 (out stage board)			A	
Date	Wed Dec 14, 2011	Drawn by	NSM lab		
Filename	PSL-3604_out.sch	Sheet	1	of	1