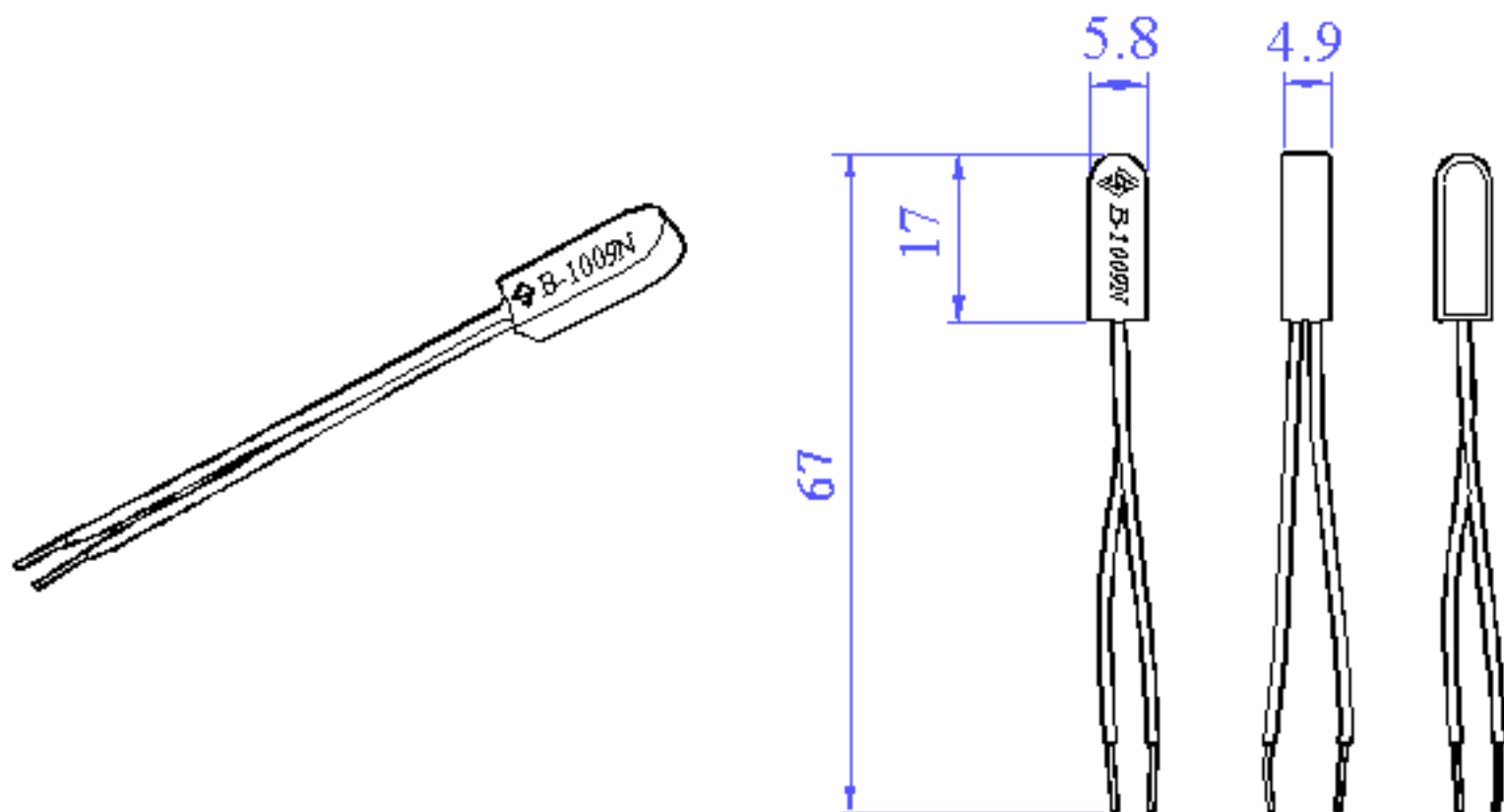


# ● B-1009N SERIES ●



DIMENSION IN mm

## SPECIFICATIONS:

- ✿ TEMPERATURE RANGE: 45 - 100 °C
- ✿ OPERATING TOLERANCE:  $\pm 5$  °C
- ✿ RESET DIFFERENTIAL: 10 °C - 50 °C
- ✿ INPUT POWER: 12/24VDC / 125/250VAC
- ✿ CONTACTS TYPE: NORMALLY CLOSE(NNC) / NORMALLY OPEN(NNO) .
- ✿ CONTACTS ENDURANCE: (RESISTIVE LOAD)
  - 24VDC  $\times$  100mA -- 50,000 CYCLES
  - 24VDC  $\times$  4A -- 10,000 CYCLES
  - 125VAC  $\times$  4A -- 10,000 CYCLES
  - 250VAC  $\times$  2A -- 10,000 CYCLES
- ✿ INTERRUPT CAPACITY: 125VAC  $\times$  20A -- 5 CYCLES .
- ✿ OVERTEMPORARY TEMPERATURE: 180 °C / 3 MINUTES .
- ✿ DIELECTRIC STRENGTH: 1500VAC / 1 MINUTE .
- ✿ LEAD WIRE: AWG #22  $\times$  50mm
- ✿ HOUSING MATERIAL: POLYAMIDE
- ✿ FEATURES: WATERPROOF
  - SMALL SIZE
  - SHORT CURRENT FAST ACTION
- ✿ METHOD OF OPERATION : AUTOMATIC INTERRUPTION AND AUTOMATIC RESETING .
- ✿ IEC - 934 METHOD OF TRIPPING: " TO " = THERMAL .
- ✿ DEGREE OF TRIP - FREE BEHAVIOUR : " CYCLING TRIP - FREE "
- ✿ RESET TYPE: AUTO RESET .

## APPLICATIONS :

- ✿ RECHARGE BATTERY UNIT
- ✿ MOTOR WINDING
- ✿ POWER ADAPTOR