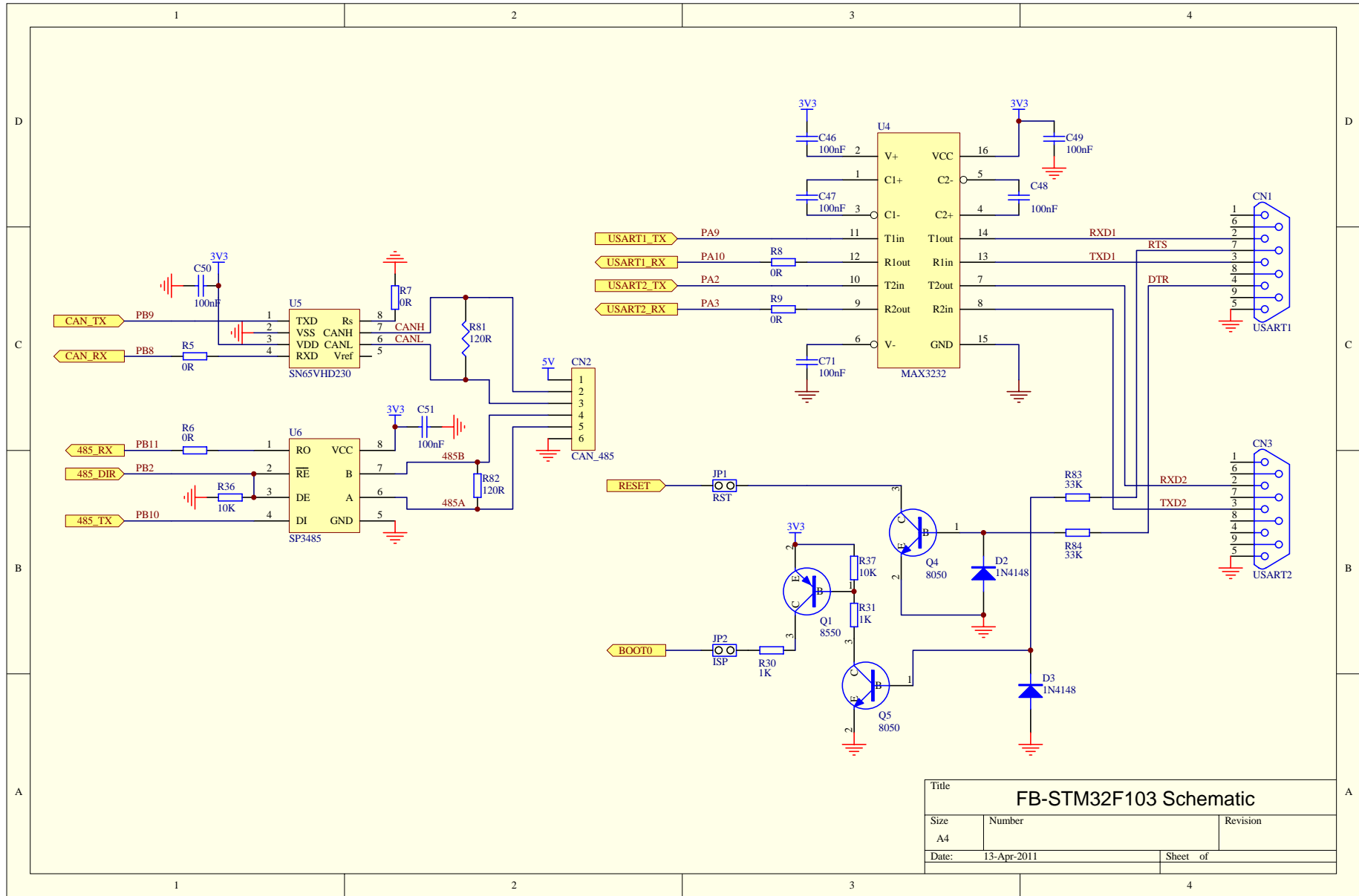
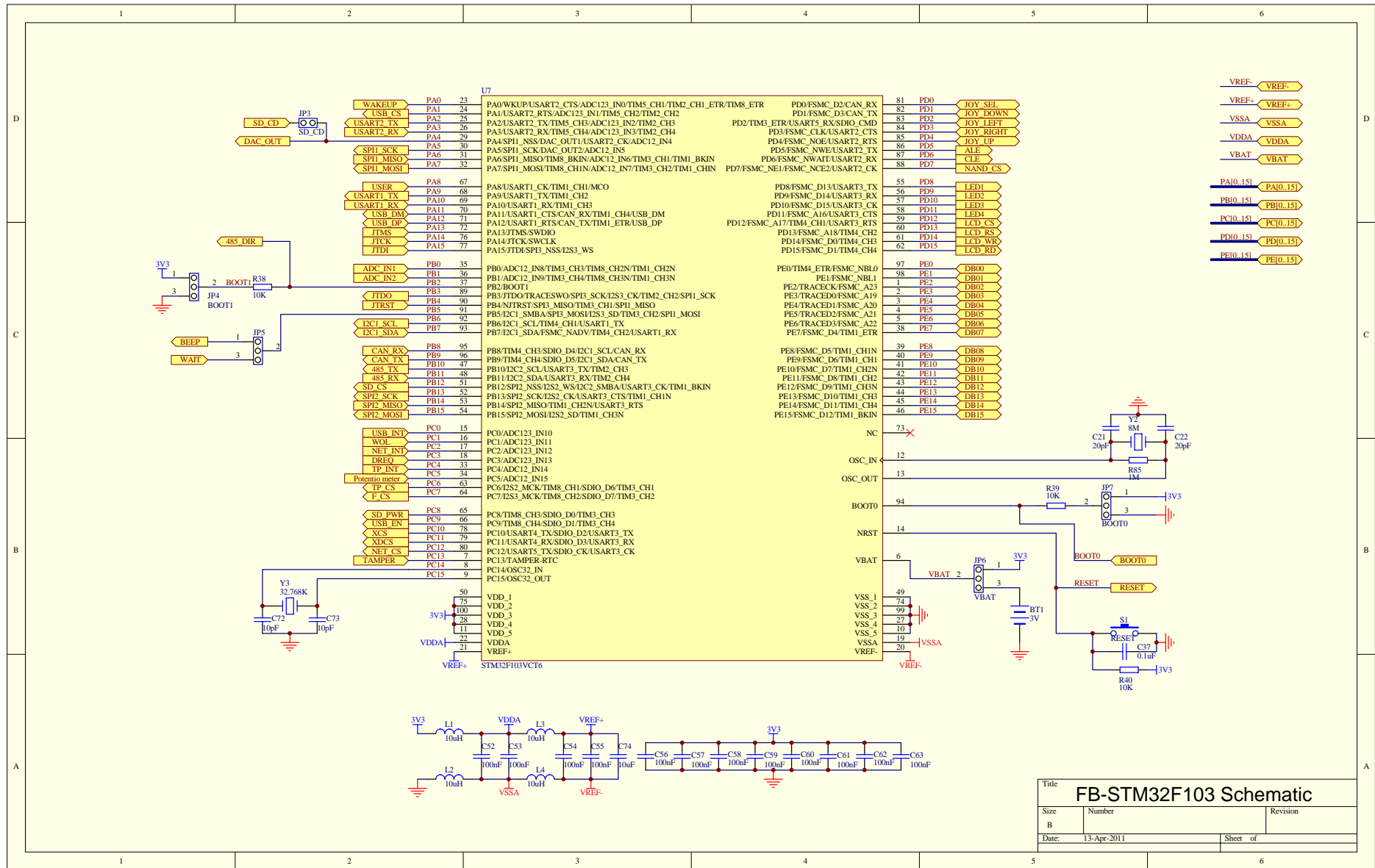


Title		
FB-STM32F103 Schematic		
Size	Number	Revision
A4		
Date:	13-Apr-2011	Sheet of

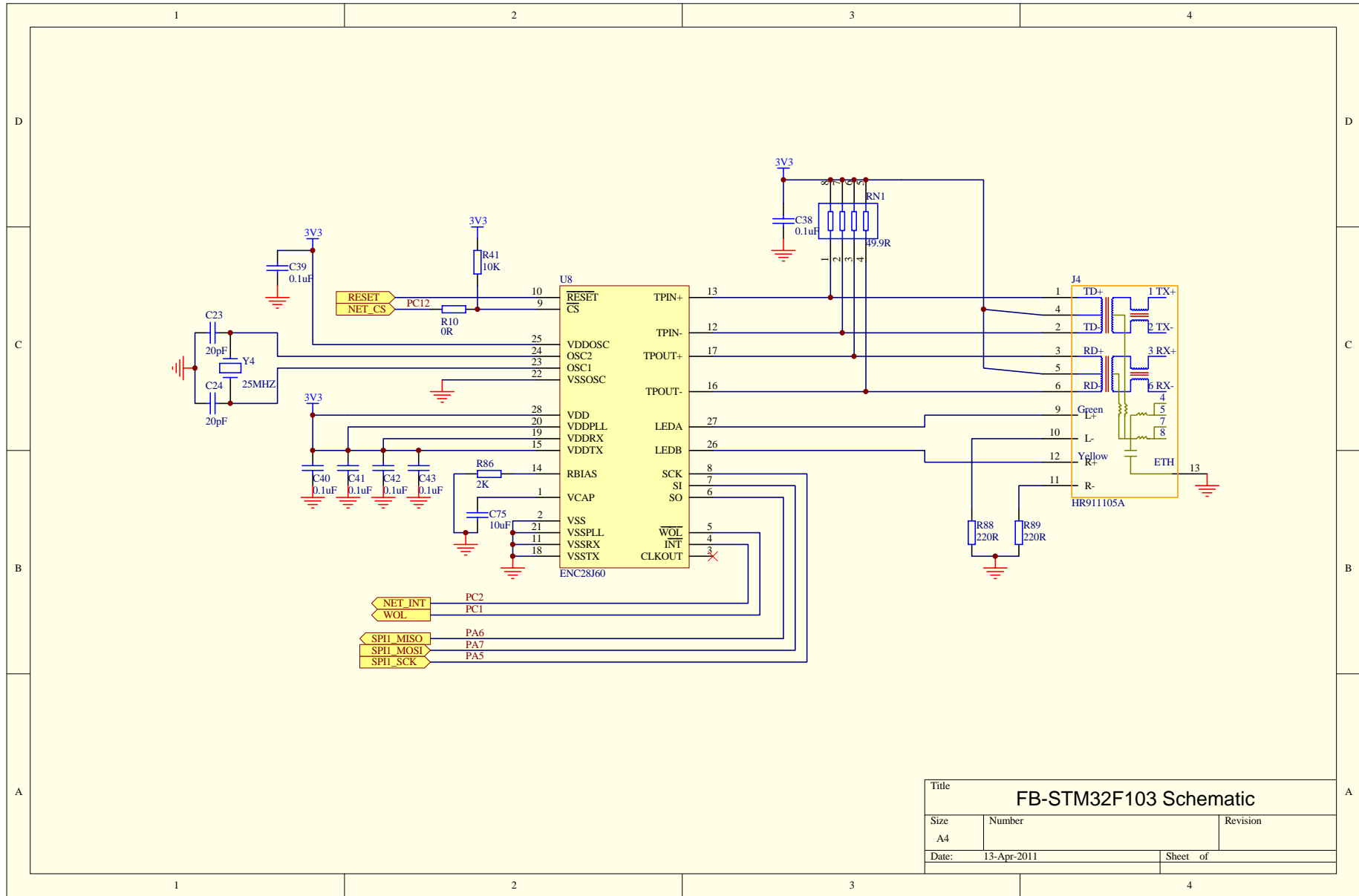


Title		
FB-STM32F103 Schematic		
Size	Number	Revision
A4		
Date:	13-Apr-2011	Sheet of

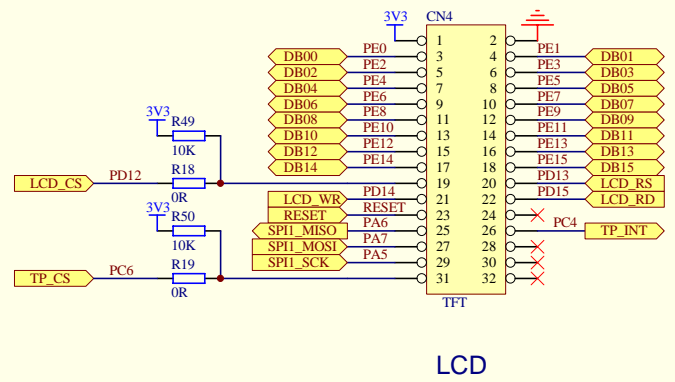
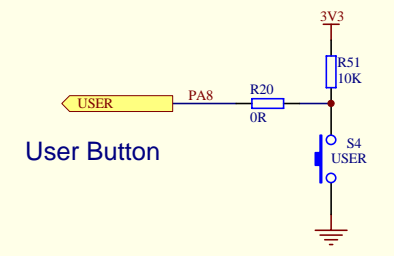
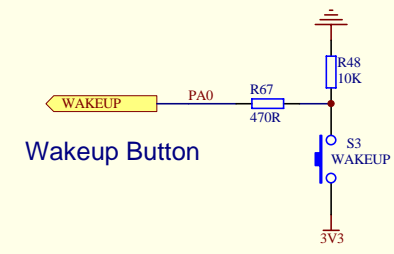
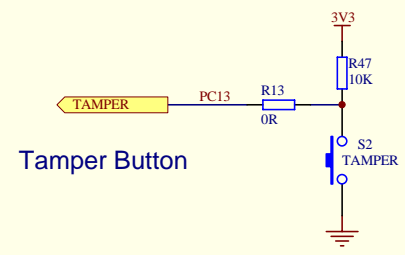
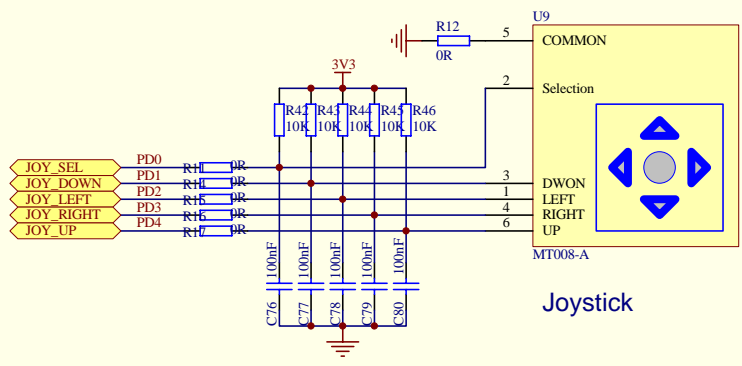


Title: **FB-STM32F103 Schematic**

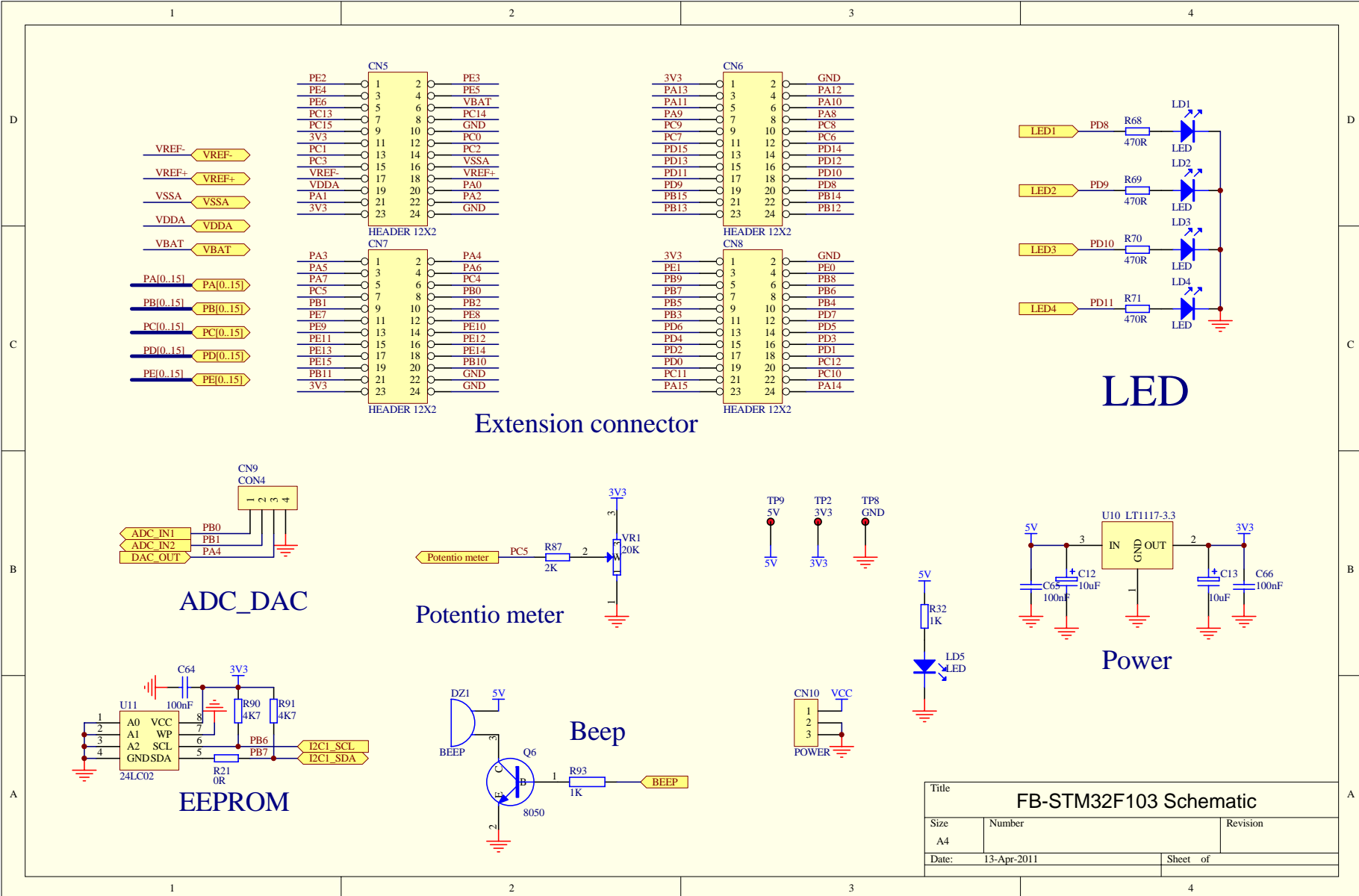
Size	Number	Revision
B		
Date: 13-Apr-2011	Sheet of	



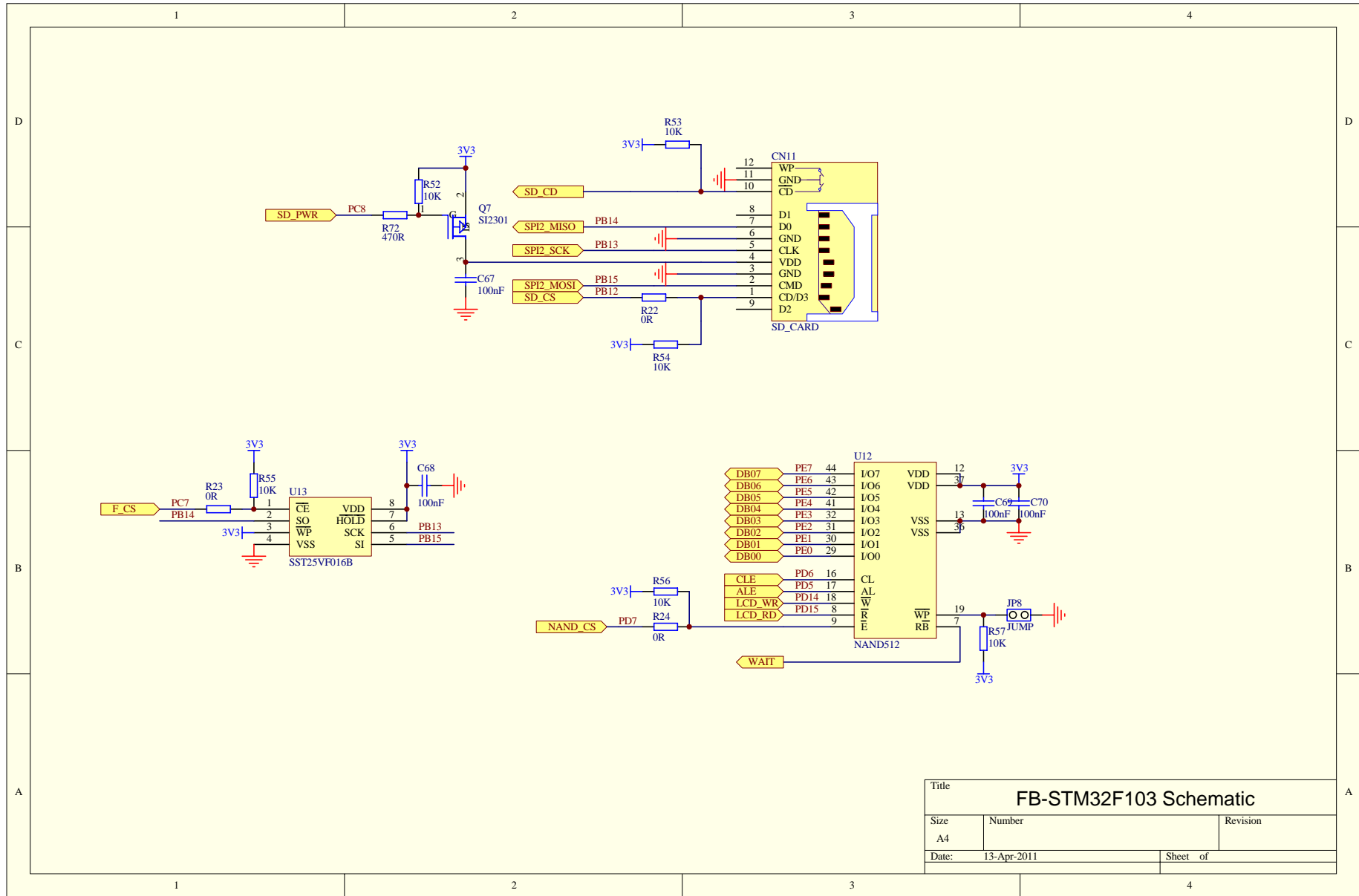
Title		
FB-STM32F103 Schematic		
Size	Number	Revision
A4		
Date:	13-Apr-2011	Sheet of



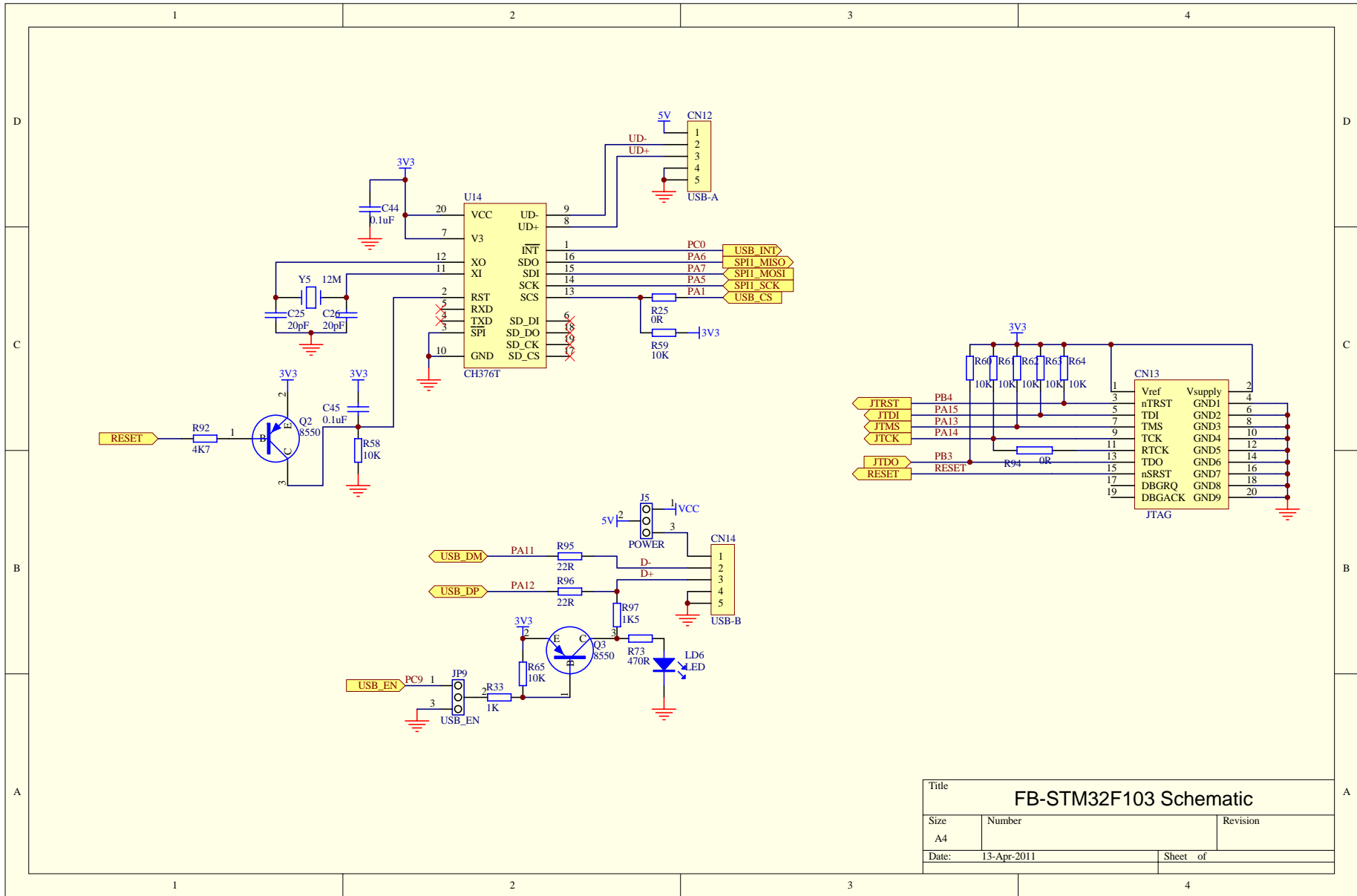
Title		
FB-STM32F103 Schematic		
Size	Number	Revision
A4		
Date:	13-Apr-2011	Sheet of



Title		
FB-STM32F103 Schematic		
Size	Number	Revision
A4		
Date:	13-Apr-2011	Sheet of



Title		
FB-STM32F103 Schematic		
Size	Number	Revision
A4		
Date:	13-Apr-2011	Sheet of



Title		
FB-STM32F103 Schematic		
Size	Number	Revision
A4		
Date:	13-Apr-2011	Sheet of