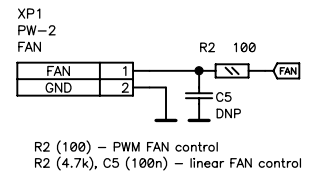
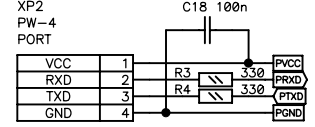
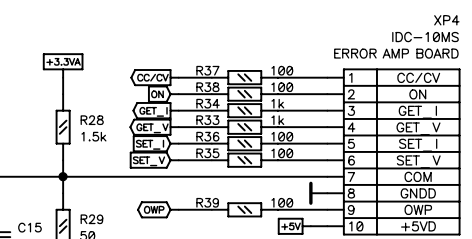
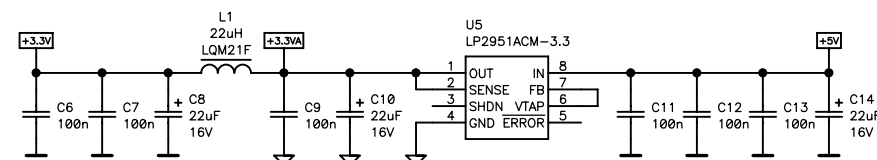
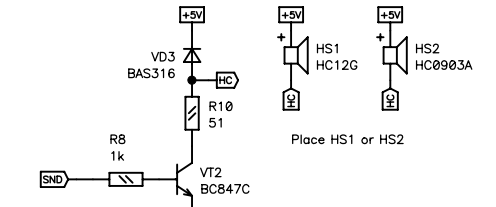
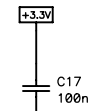


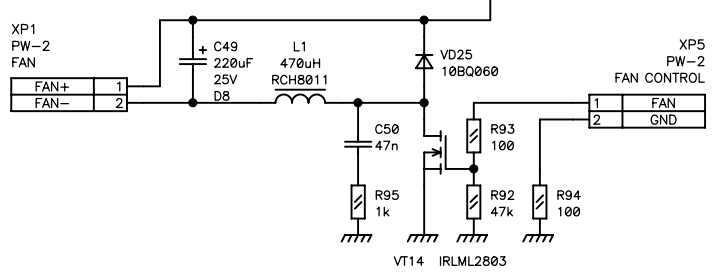
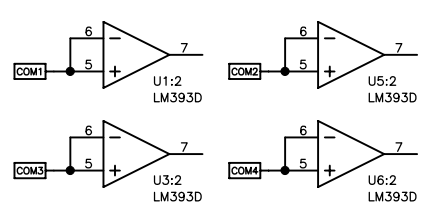
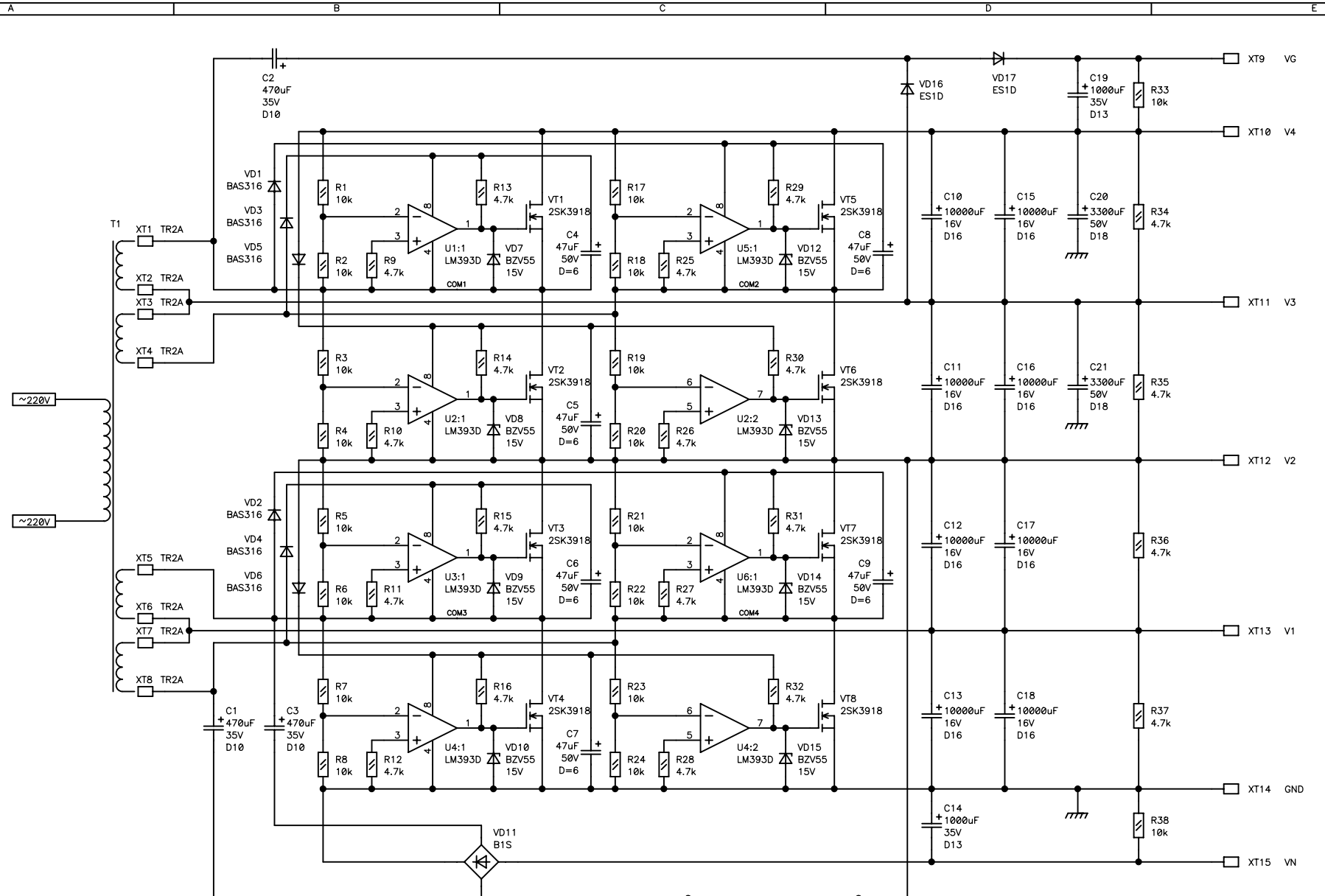
R1 (4.7k) - DS18B20 temp. sensor  
 C16 (100n) - LM19 temp. sensor



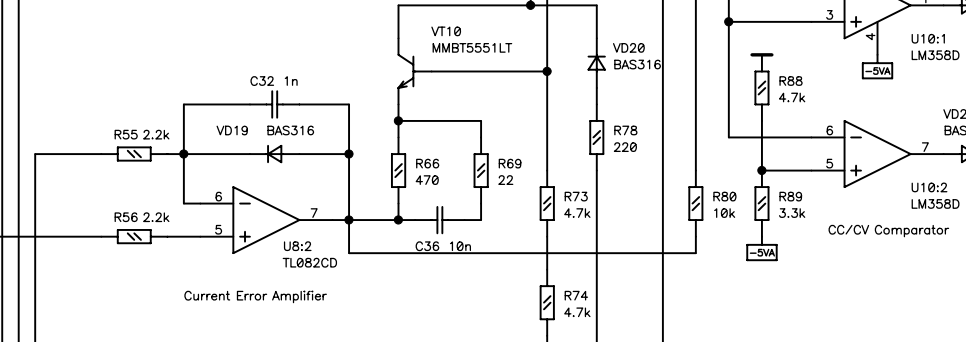
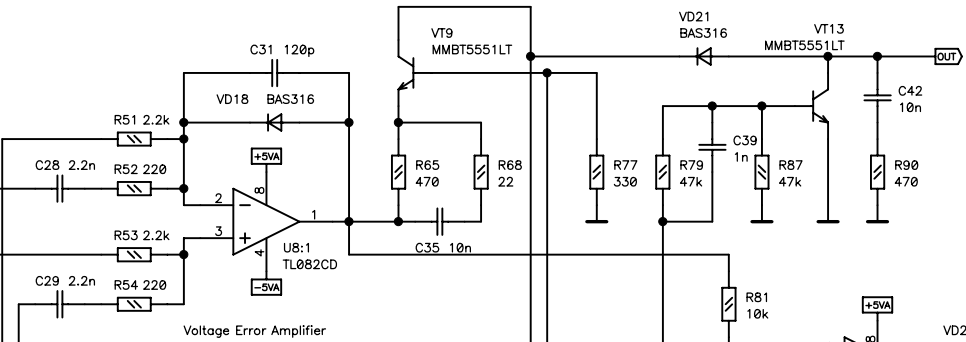
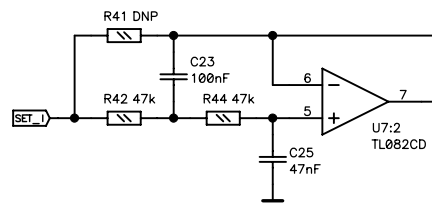
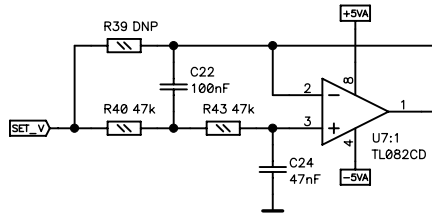
Place U7 or U8, U9, R43, R44, R45



Company Name NSM lab		
Size A35	Title PSL-3604 (front panel board)	Rev A
Date Tue May 28, 2013	Drawn by NSM lab	
Filename PSL-3604_pan.sch	Sheet 1	of 1

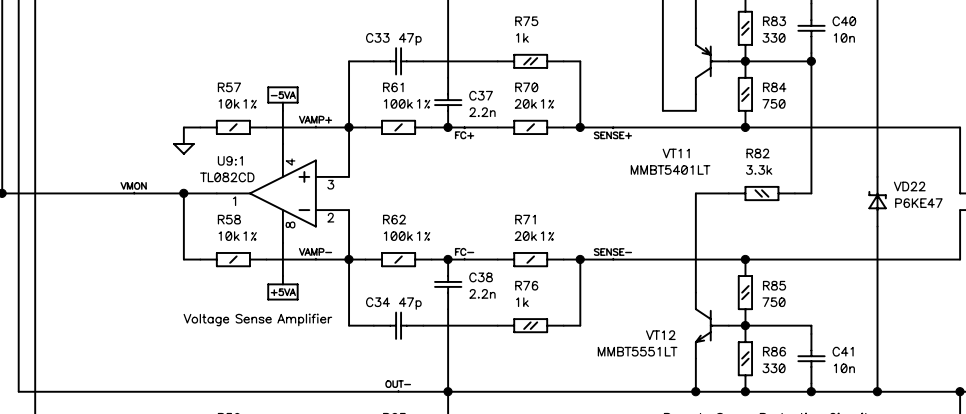
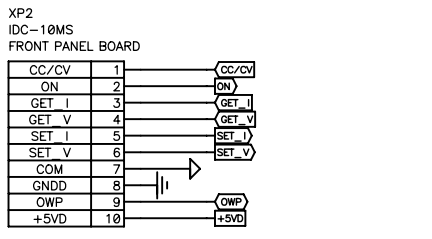
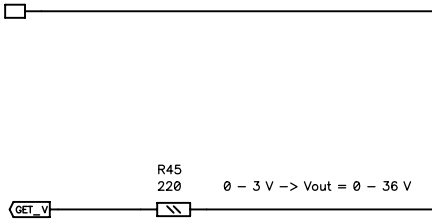
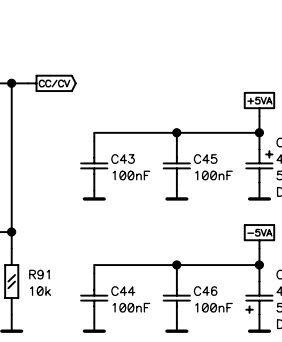


Company Name		NSM lab	
Size	Title	Rev	
A35	PSL-3604 (power supply board)	A	
Date	Sat May 25, 2013	Drawn by	NSM lab
Filename	PSL-3604_pow.sch	Sheet	1 of 2



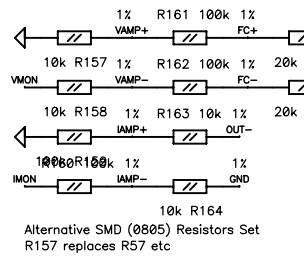
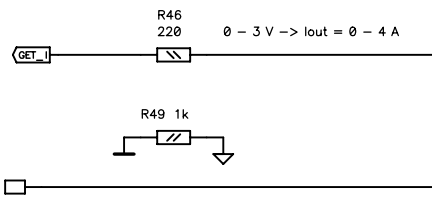
XP4  
IDC-10MS  
OUT STAGE BOARD

1	GNDD
2	ON
3	+5VD
4	-5VD
5	OWP
6	+5VA
7	GNDD
8	IN
9	GNDA
10	GNDA



XP2  
IDC-10MS  
FRONT PANEL BOARD

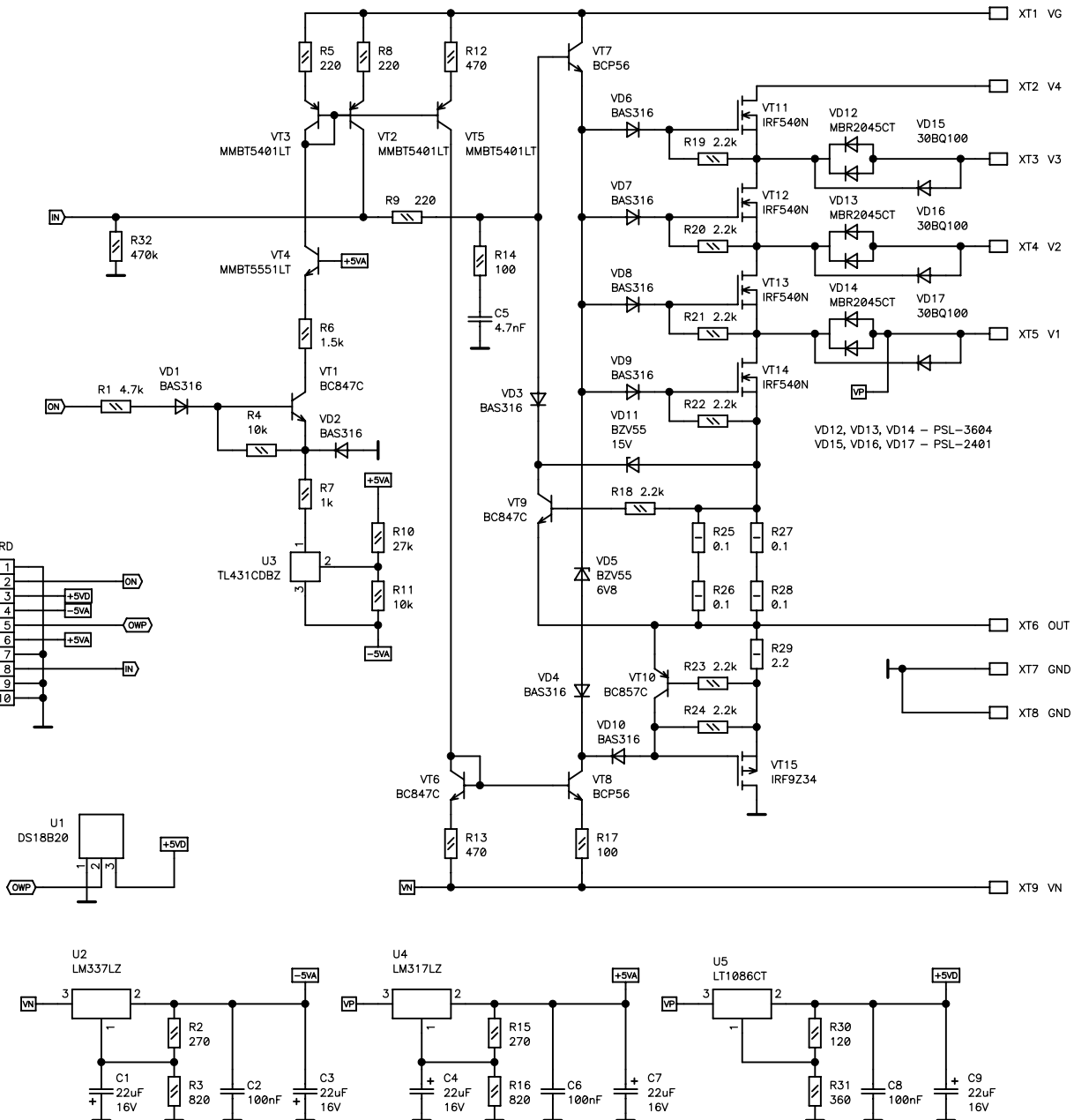
1	CC/CV
2	ON
3	GET I
4	GET V
5	SET I
6	SET V
7	COM
8	GNDD
9	OWP
10	+5VD



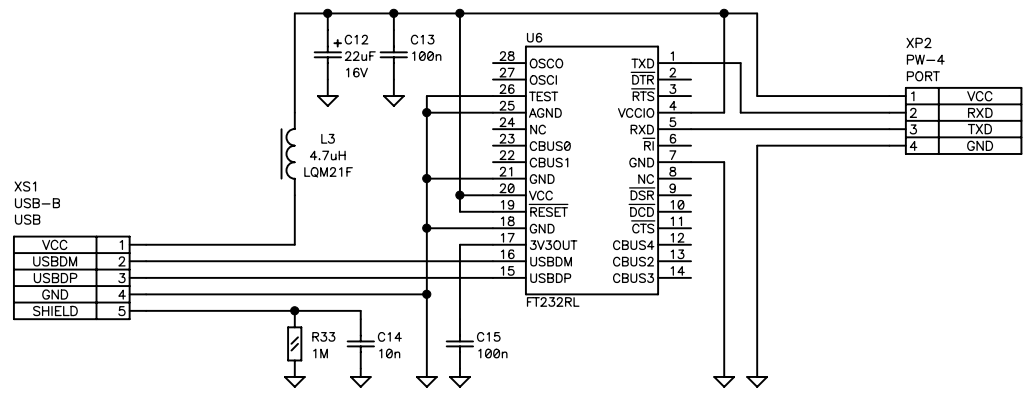
Company Name			NSM lab		
Size	Title	Rev			
A35	PSL-3604 (power supply board)	A			
Date	Sat May 25, 2013	Drawn by	NSM lab		
Filename	PSL-3604_pow.sch	Sheet	2 of 2		

XP1  
IDC-10MS  
OUT STAGE BOARD

GNDD	1	
ON	2	ON
+5VD	3	+5VD
-5VA	4	-5VA
OWP	5	OWP
+5VA	6	+5VA
GNDD	7	
IN	8	IN
GND A	9	
GND A	10	



Company Name		NSM lab	
Size	Title	Rev	
A35	PSL-3604 (out stage board)	A	
Date	Wed May 22, 2013	Drawn by	NSM lab
Filename	PSL-3604_out.sch	Sheet	1 of 2



Company Name		NSM lab	
Size	Title	Rev	
A35	PSL-3604 (out stage board)	A	
Date	Wed May 22, 2013	Drawn by	NSM lab
Filename	PSL-3604_out.sch	Sheet	2 of 2