

SCHEMATIC DIAGRAM-1-

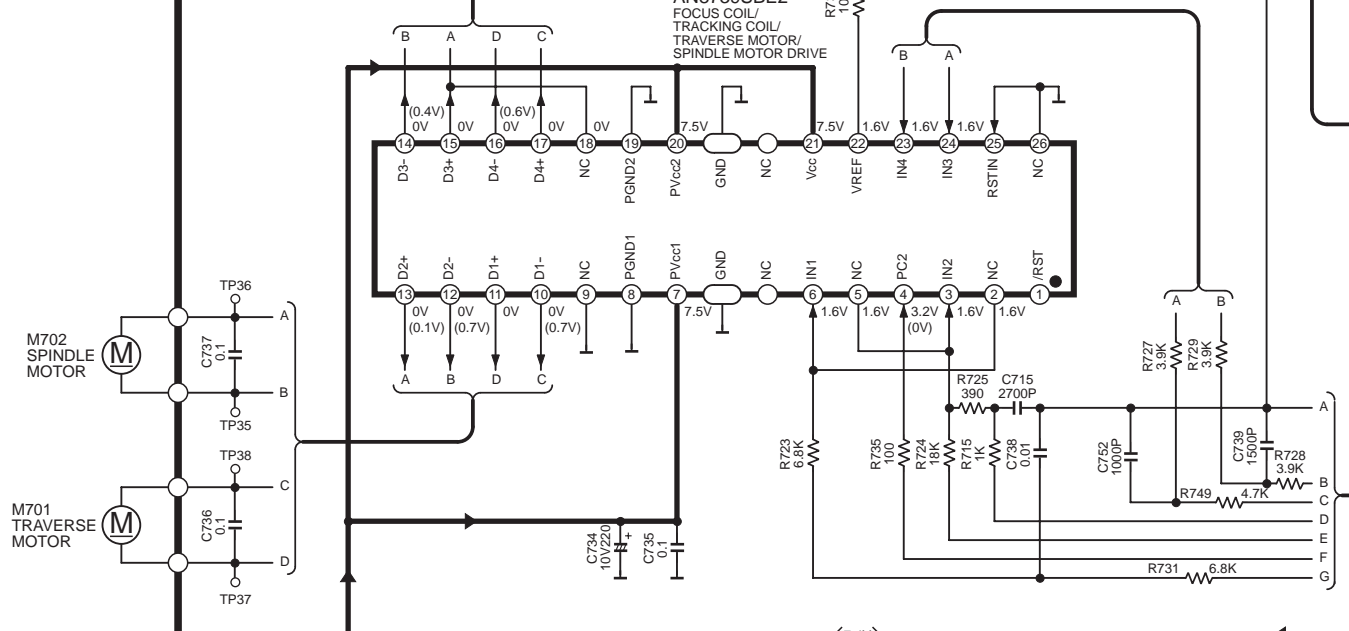
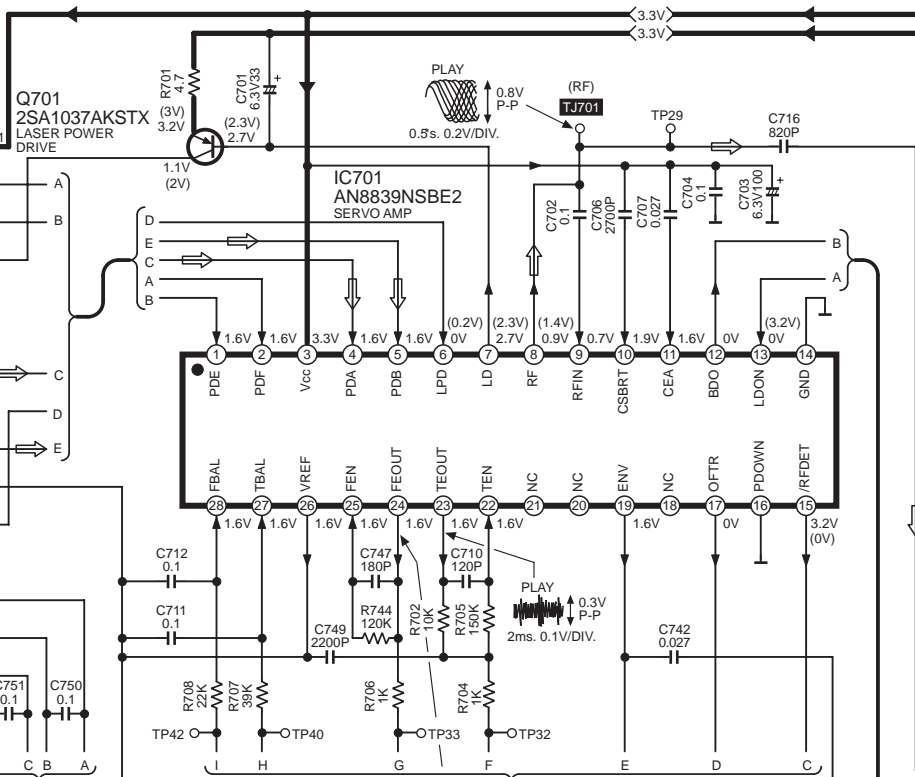
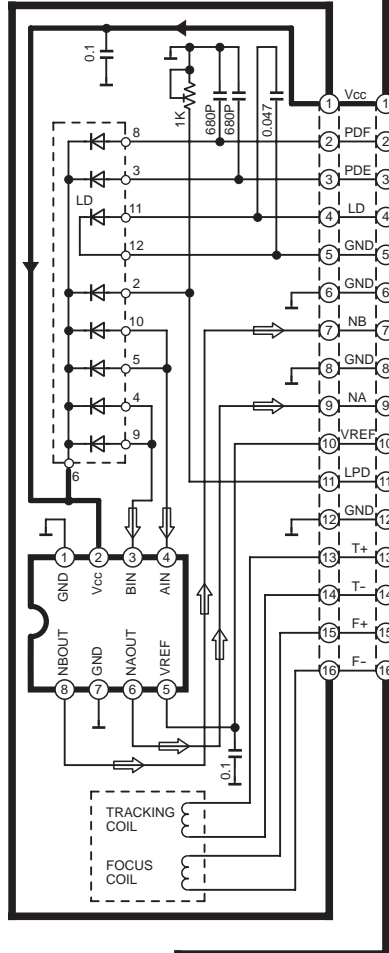
NOTE:

The number which noted at the connectors on the schematic diagram as "SCHEMATIC DIAGRAM-1" or "SCHEMATIC DIAGRAM-2" indicates the schematic diagram serial number located on the left corner in the schematic diagram.

A CD SERVO CIRCUIT

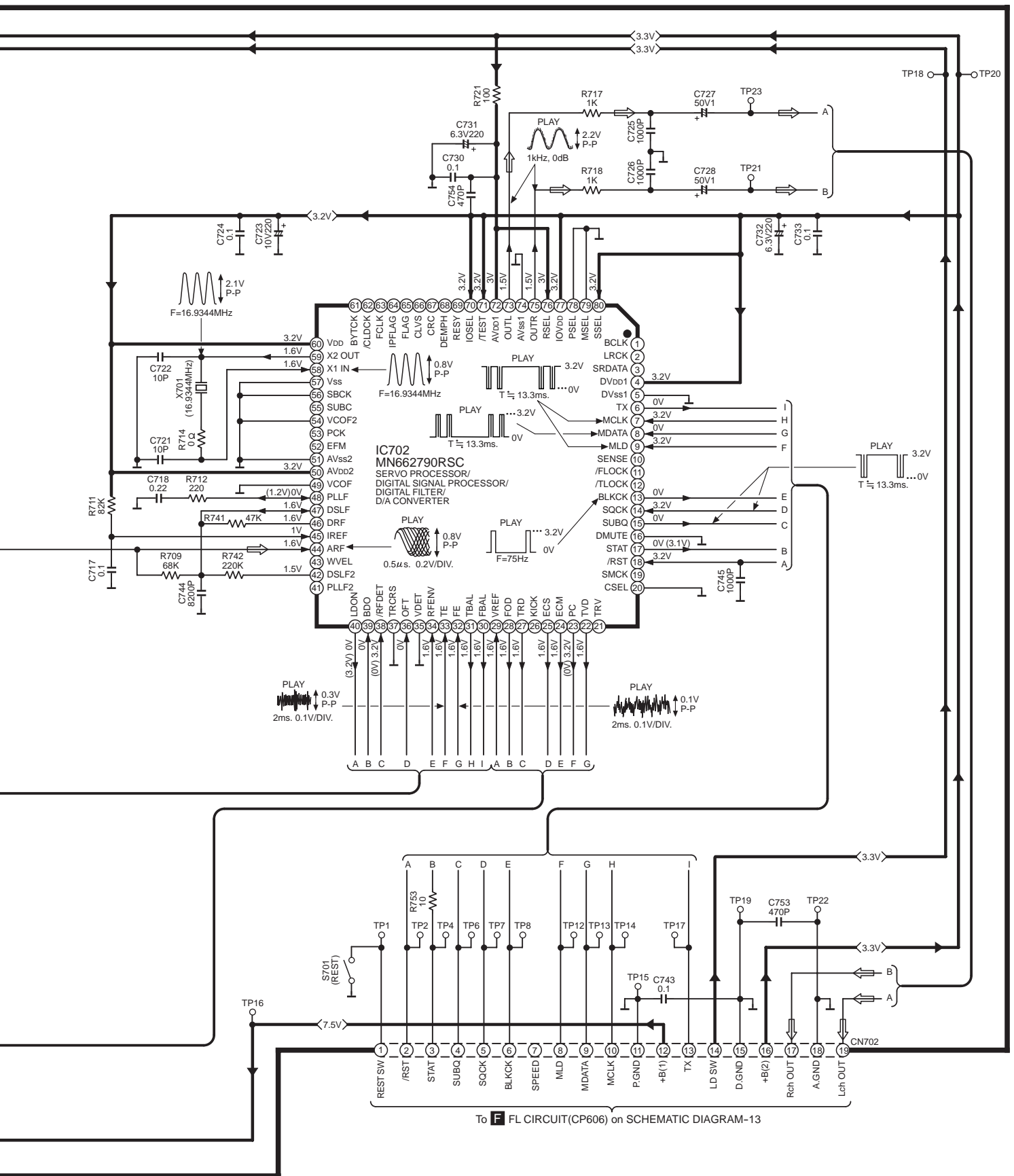
→ : POSITIVE VOLTAGE LINE ⇨ : CD PLAYBACK SIGNAL LINE

OPTICAL PICKUP



SCHEMATIC DIAGRAM-2

➔ : POSITIVE VOLTAGE LINE ⇨ : CD PLAYBACK SIGNAL LINE

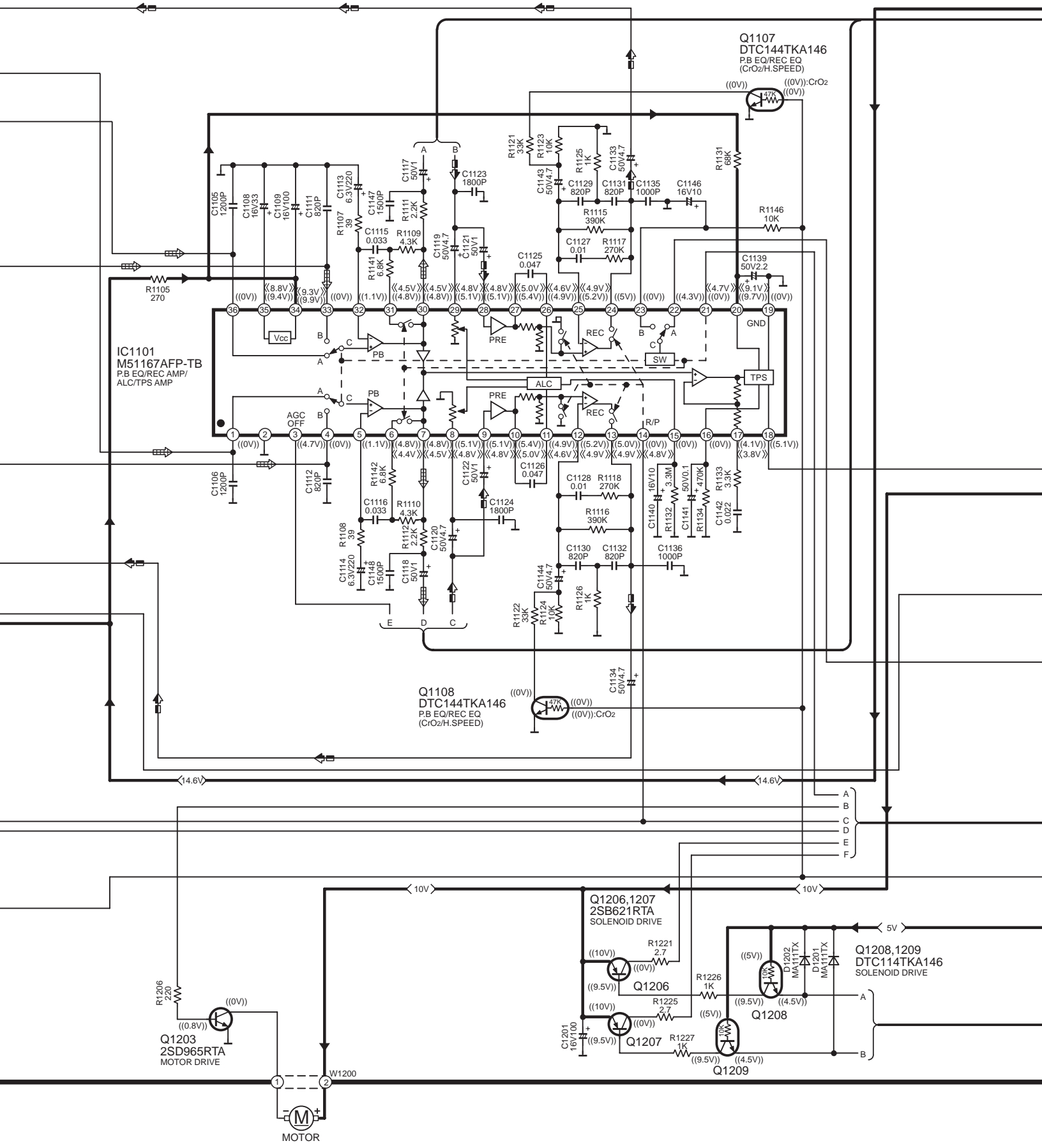


SCHEMATIC DIAGRAM-4

→ : POSITIVE VOLTAGE LINE

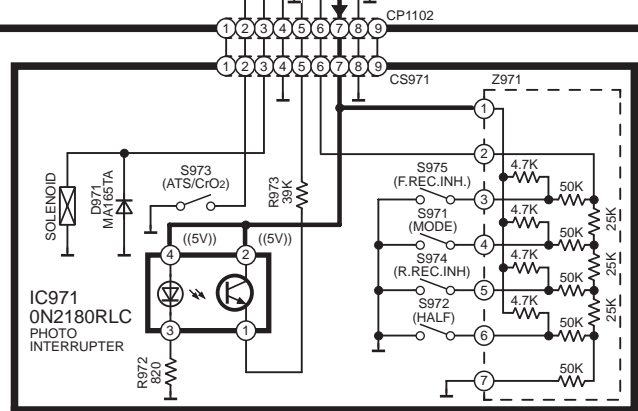
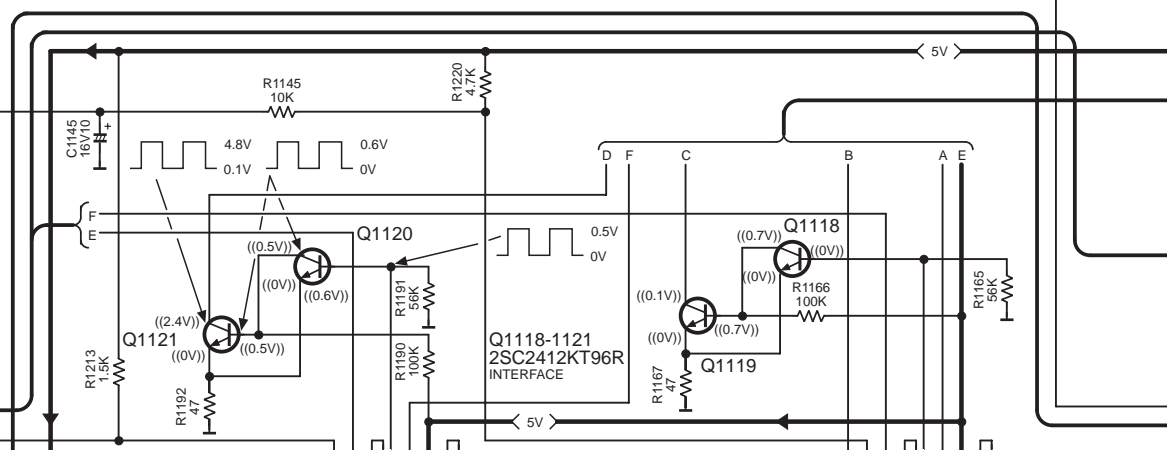
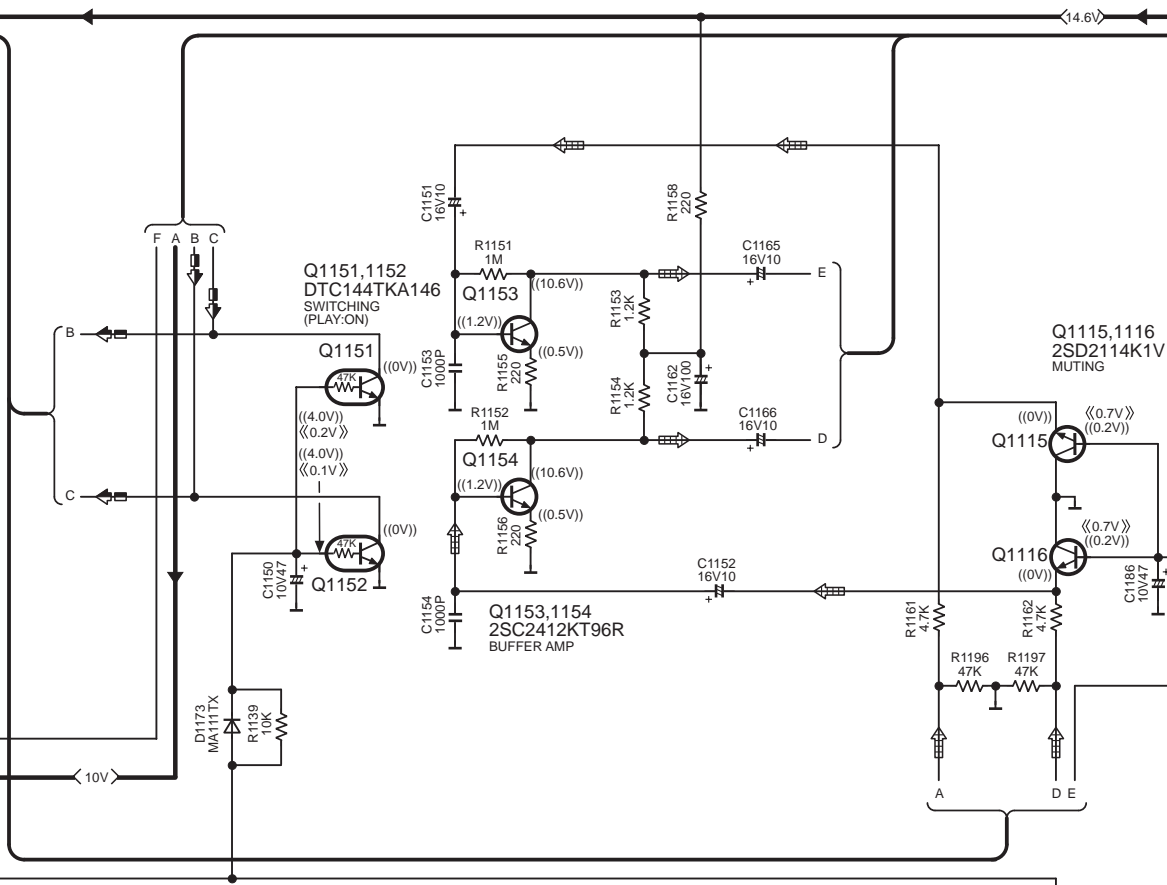
⇨ : RECORDING SIGNAL LINE

⇨ : TAPE PLAYBACK SIGNAL LINE

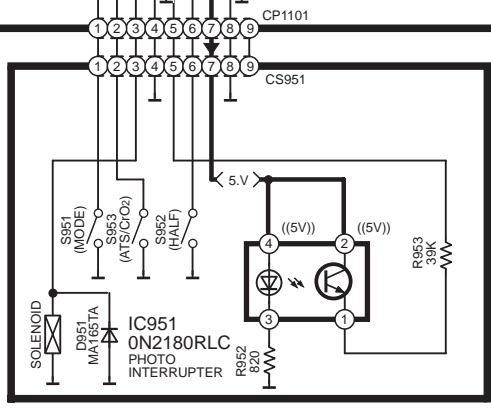


SCHEMATIC DIAGRAM-5

→ : POSITIVE VOLTAGE LINE
 □ : TAPE PLAYBACK SIGNAL LINE
 ◻ : RECORDING SIGNAL LINE



C MECHANISM (DECK2) CIRCUIT



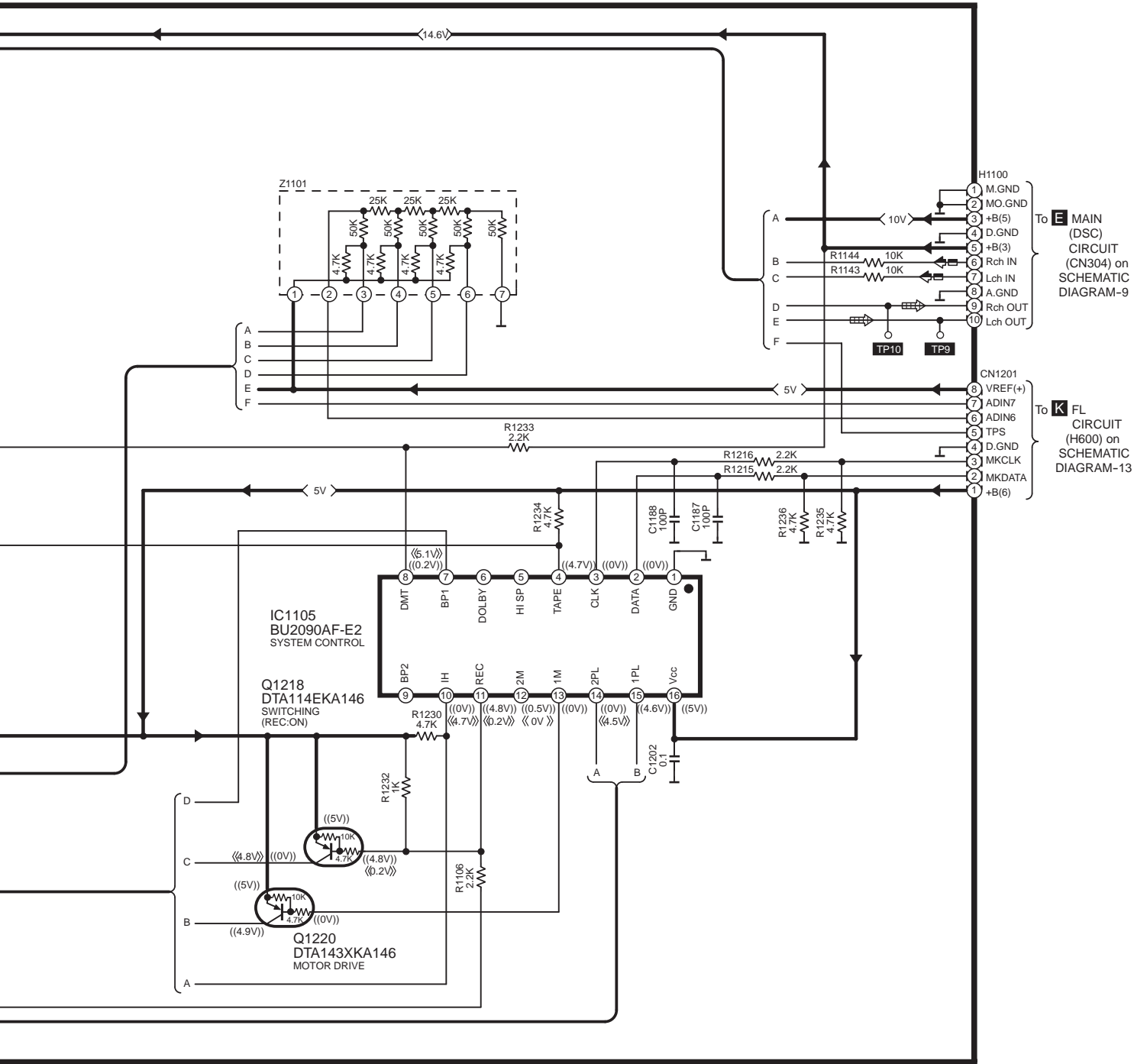
D MECHANISM (DECK1) CIRCUIT

SCHEMATIC DIAGRAM-6

→ : POSITIVE VOLTAGE LINE

➡ : RECORDING SIGNAL LINE

⇨ : TAPE PLAYBACK SIGNAL LINE



To **E** MAIN (DSC) CIRCUIT (CN304) on SCHEMATIC DIAGRAM-9

To **K** FL CIRCUIT (H600) on SCHEMATIC DIAGRAM-13

E MAIN(TUNER) CIRCUIT

◻ : FM SIGNAL LINE

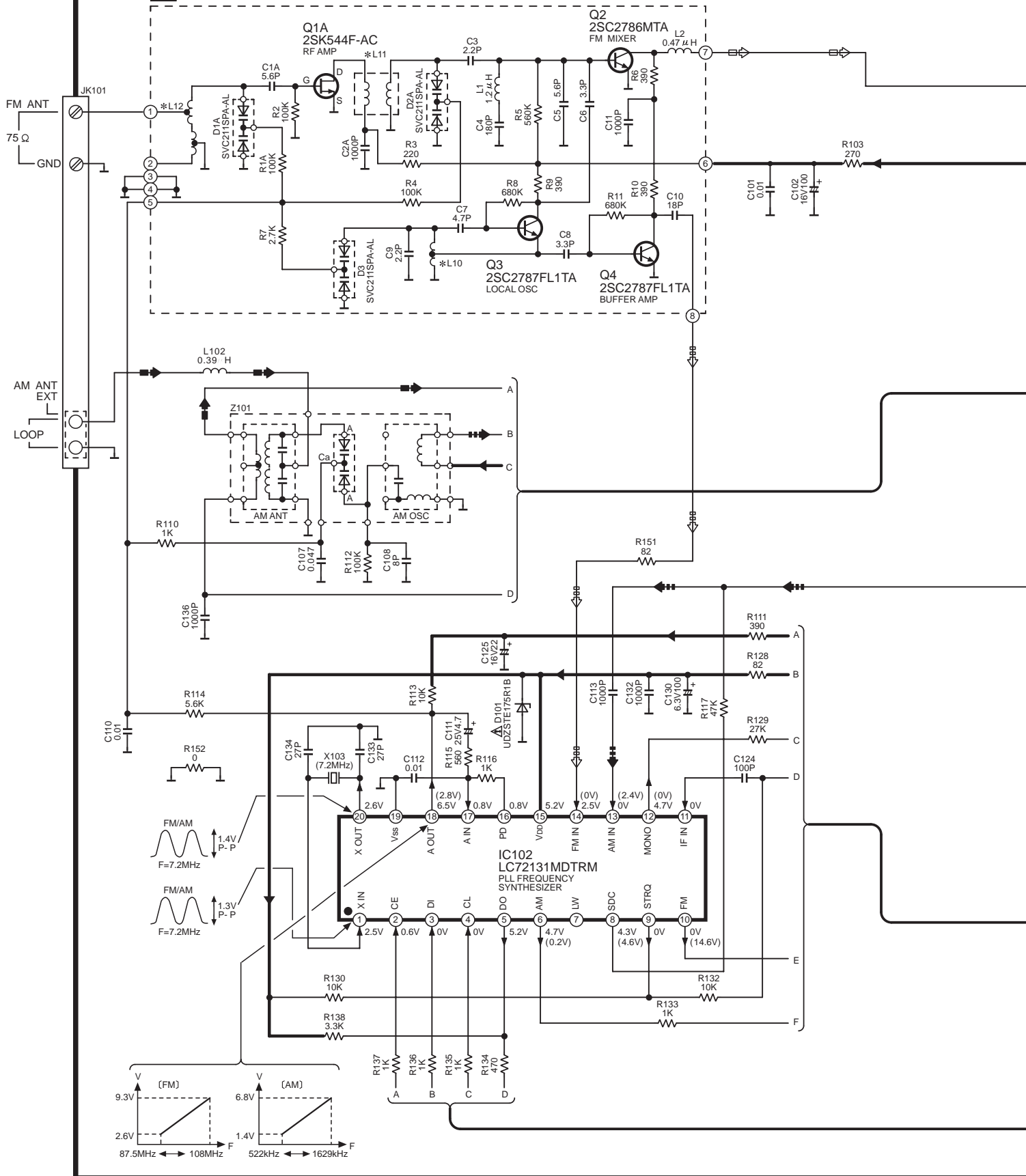
◼ : AM SIGNAL LINE

→ : POSITIVE VOLTAGE LINE

◻◻ : FM OSC SIGNAL LINE

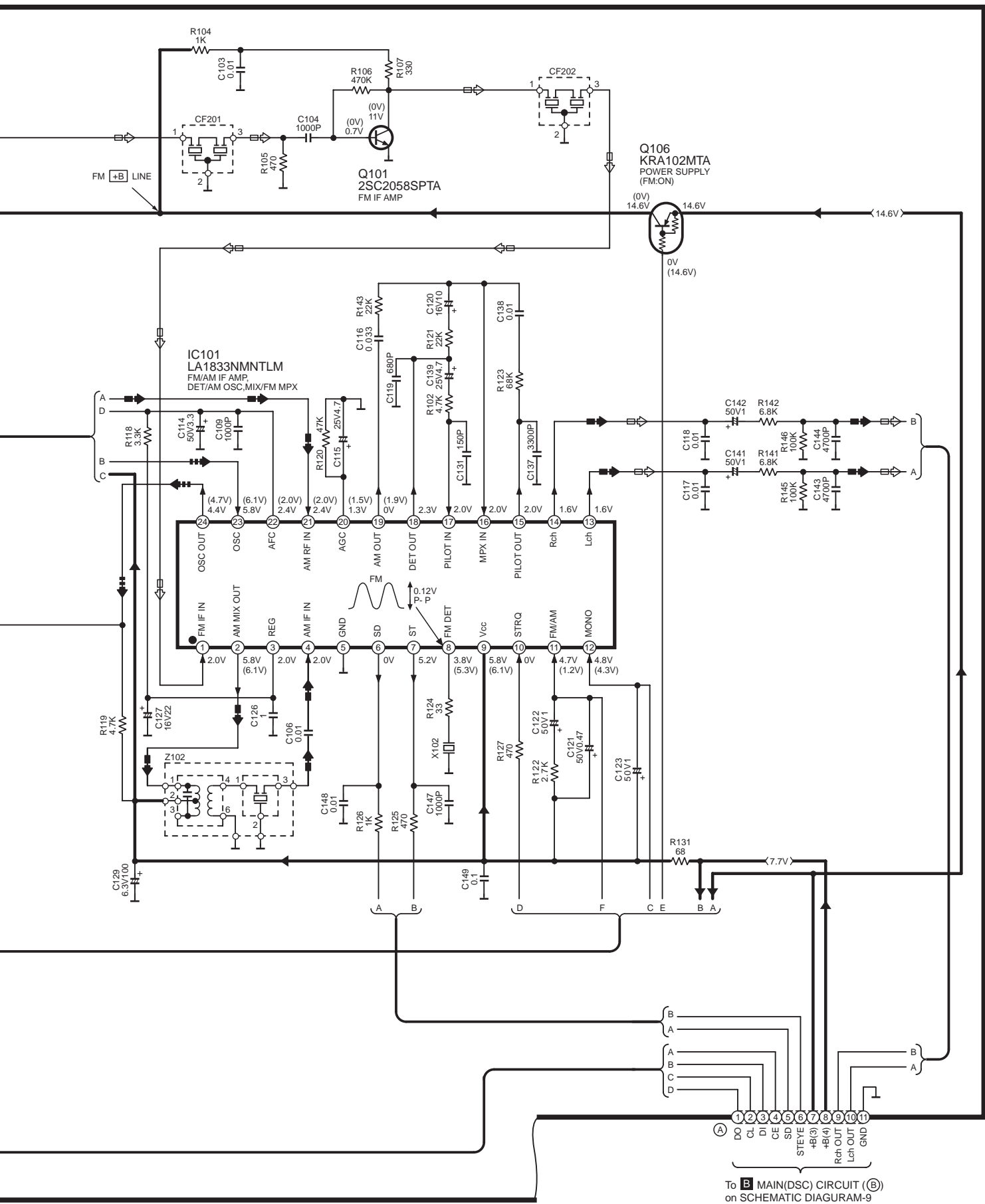
◼◼ : AM OSC SIGNAL LINE

O FM FRONT END CIRCUIT



SCHEMATIC DIAGRAM-8

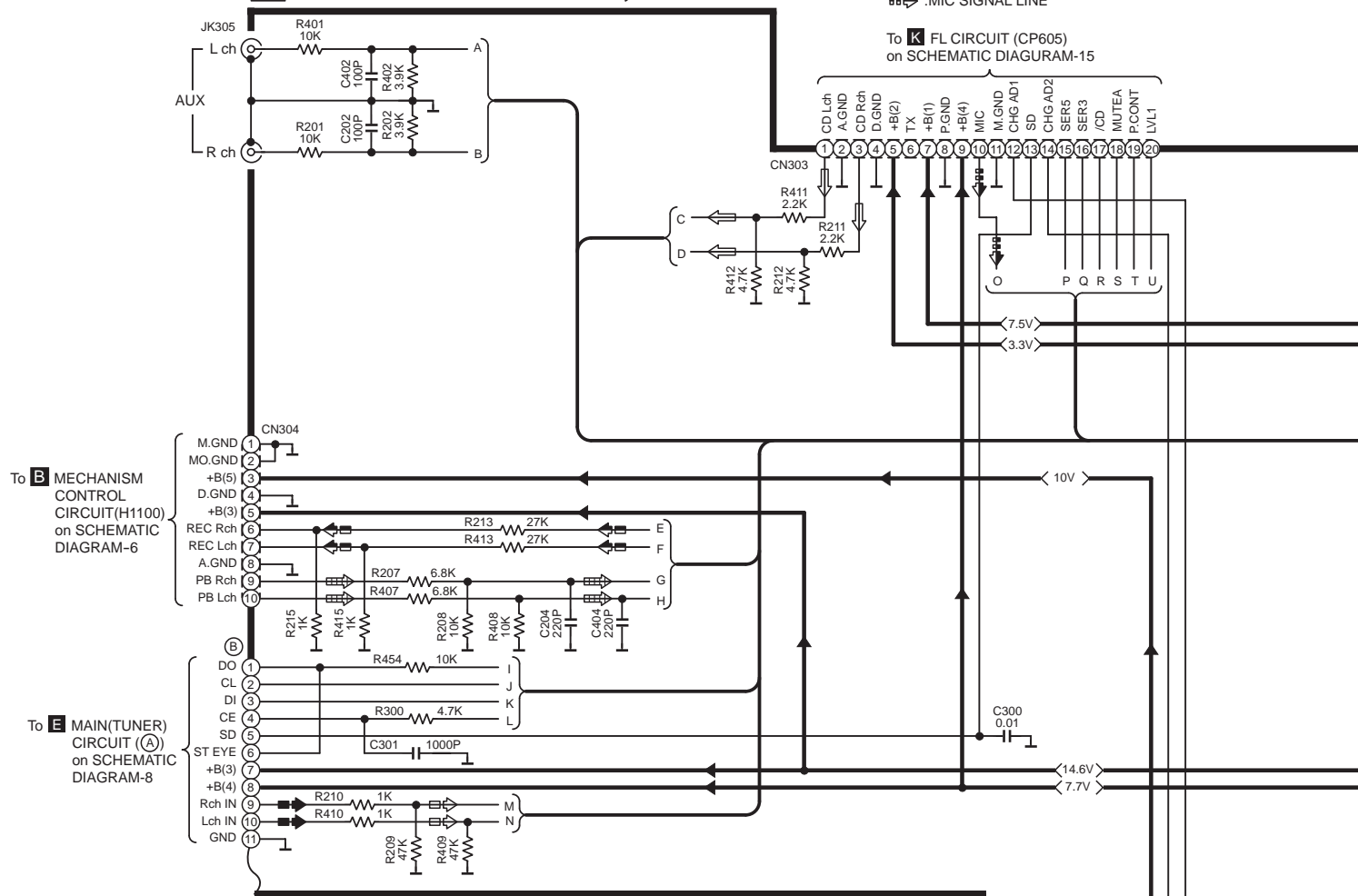
: POSITIVE VOLTAGE LINE
 : FM SIGNAL LINE
 : AM SIGNAL LINE
 : AM OSC SIGNAL LINE



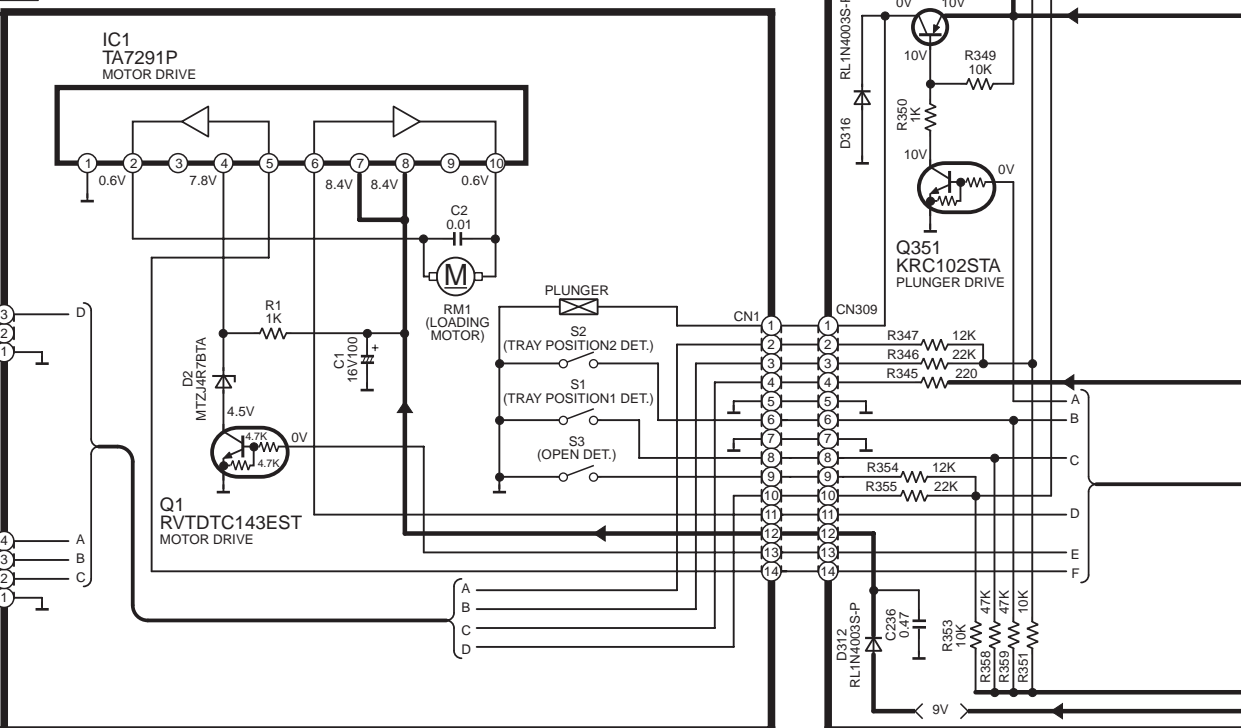
To **B** MAIN(DSC) CIRCUIT (**B**) on SCHEMATIC DIAGRAM-9

SCHEMATIC DIAGRAM-9

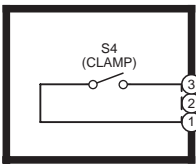
E MAIN(DSC) CIRCUIT



H MOTOR CIRCUIT



F CLAMP SW CIRCUIT



G BOTTOM SW CIRCUIT

