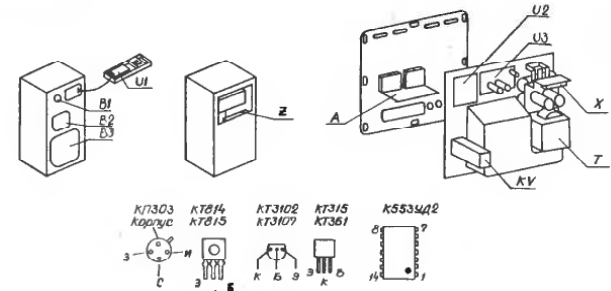
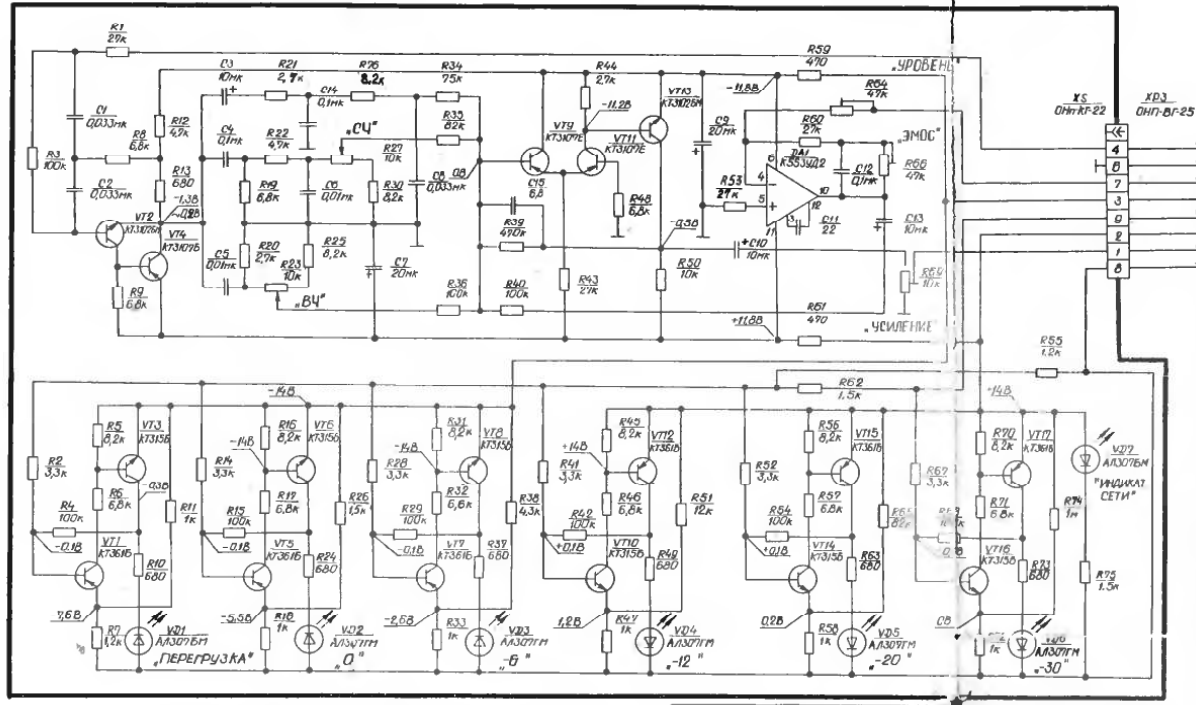


СХЕМА ЭЛЕКТРИЧЕСКАЯ ПРИНЦИПИАЛЬНАЯ

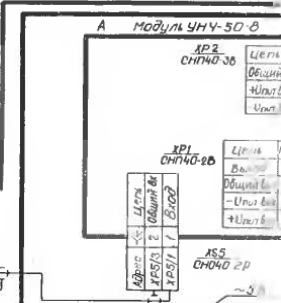
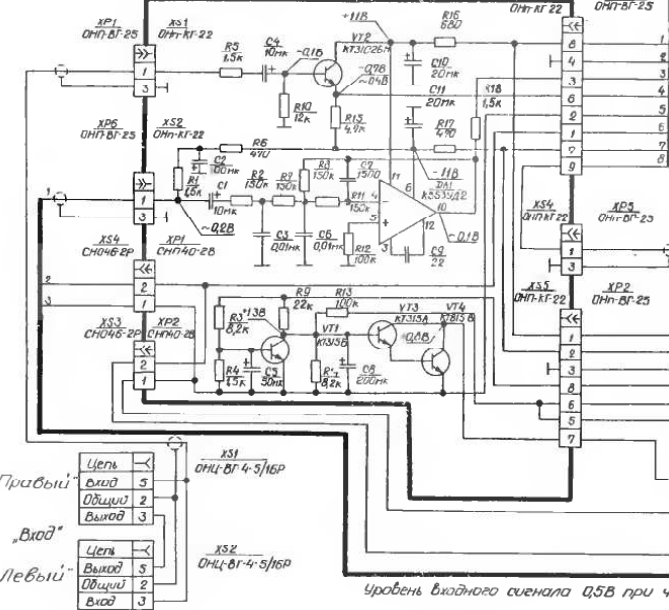
СИСТЕМА АКУСТИЧЕСКАЯ 35 АС-013

S-70

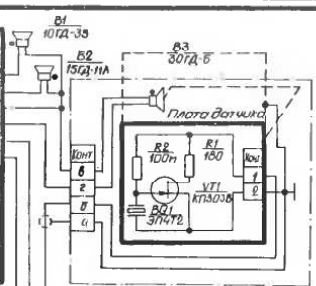
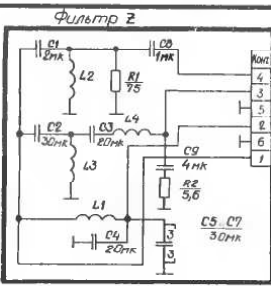
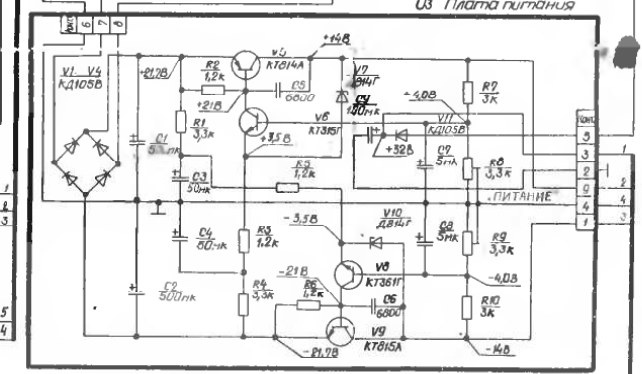
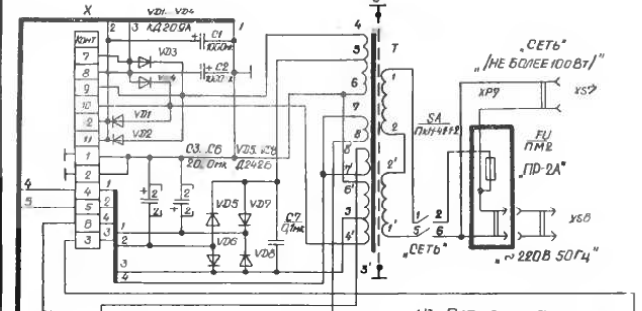
U1 Блок ИР (индикации и регулировки)



U2 Блок УЗ (усиления и защиты)

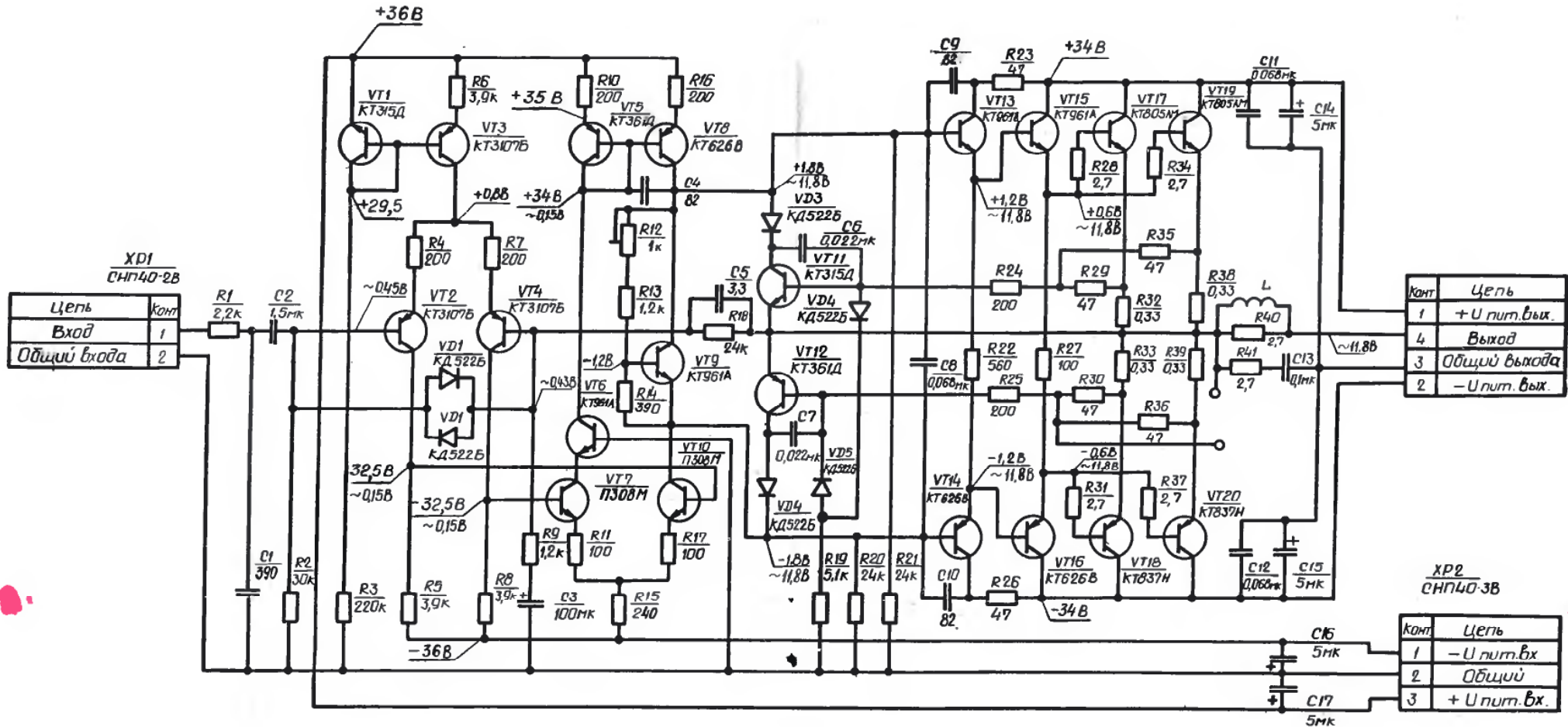


U1	U2	U3	Z	AC
R1, R2, R3, R4, R5, R6, R7, R8, R9, R10, R11, R12, R13, R14, R15, R16, R17, R18, R19, R20, R21, R22, R23, R24, R25, R26, R27, R28, R29, R30, R31, R32, R33, R34, R35, R36, R37, R38, R39, R40, R41, R42, R43, R44, R45, R46, R47, R48, R49, R50	R1, R2, R3, R4, R5, R6, R7, R8, R9, R10, R11, R12, R13, R14, R15, R16, R17, R18, R19, R20, R21, R22, R23, R24, R25, R26, R27, R28, R29, R30, R31, R32, R33, R34, R35, R36, R37, R38, R39, R40, R41, R42, R43, R44, R45, R46, R47, R48, R49, R50	R1, R2, R3, R4, R5, R6, R7, R8, R9, R10, R11, R12, R13, R14, R15, R16, R17, R18, R19, R20, R21, R22, R23, R24, R25, R26, R27, R28, R29, R30, R31, R32, R33, R34, R35, R36, R37, R38, R39, R40, R41, R42, R43, R44, R45, R46, R47, R48, R49, R50	R1, R2, R3, R4, R5, R6, R7, R8, R9, R10, R11, R12, R13, R14, R15, R16, R17, R18, R19, R20, R21, R22, R23, R24, R25, R26, R27, R28, R29, R30, R31, R32, R33, R34, R35, R36, R37, R38, R39, R40, R41, R42, R43, R44, R45, R46, R47, R48, R49, R50	R1, R2, R3, R4, R5, R6, R7, R8, R9, R10, R11, R12, R13, R14, R15, R16, R17, R18, R19, R20, R21, R22, R23, R24, R25, R26, R27, R28, R29, R30, R31, R32, R33, R34, R35, R36, R37, R38, R39, R40, R41, R42, R43, R44, R45, R46, R47, R48, R49, R50



Уровень входного сигнала 0,5В при частоте 1000Гц, для микромем. У1 блока УЗ при частоте 100Гц

МОДУЛЬ УНЧ-50 - 8



ХР1
СНП40-2В

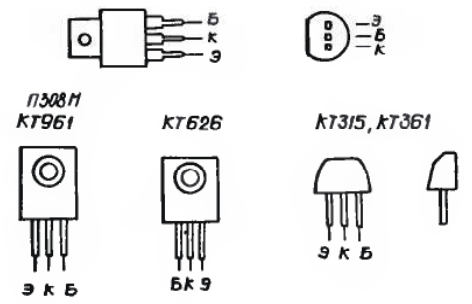
Цепь	Конт.
Вход	1
Общий входа	2

Конт.	Цепь
1	+U пит. вых.
4	Выход
3	Общий выхода
2	-U пит. вых.

ХР2
СНП40-3В

Конт.	Цепь
1	-U пит. вх.
2	Общий
3	+U пит. вх.

КТ805АМ; КТ637Н КТ3107Б



ТИП	
BC	R1...R11, R13...R27 R29, R30, R35, R36
СПЗ-38	R12
МЛТ	R28, R31, R34, R37, R40, R41
К10-7В	C1, C6...C8, C11, C12
К90-6	C3, C14...C17
К73-17	C2, C13
КД-1	C4, C5, C9, C10