

LOCAL COMMANDS

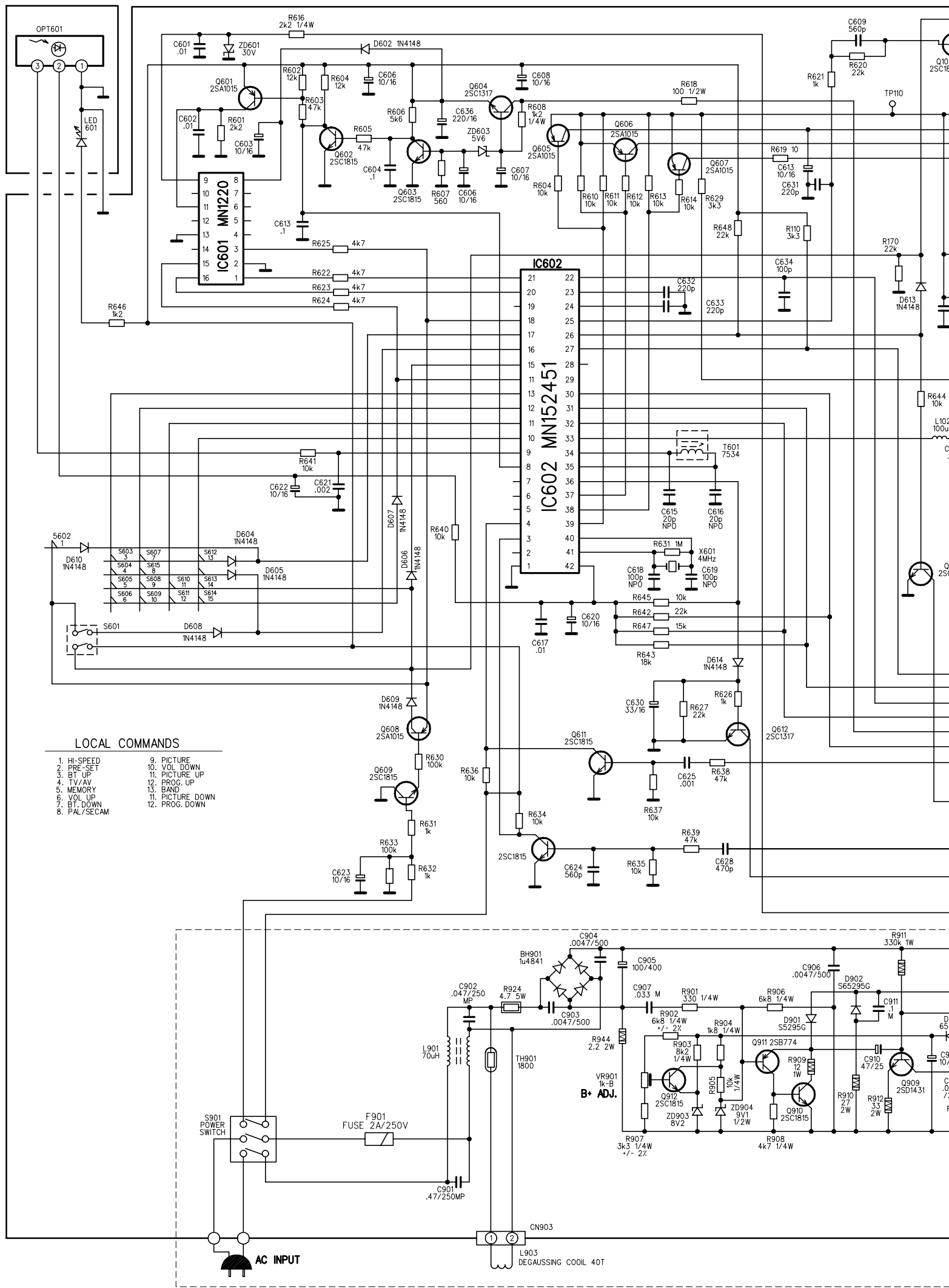
1. H. SPEED	9. PICTURE
2. DEF. SET	10. VOL. DOWN
3. BT. UP	11. PICTURE UP
4. TV/AV	12. PROC. UP
5. MEMORY	13. BAND
6. VOL. UP	14. PICTURE DOWN
7. BT. DOWN	15. PROC. DOWN
8. PAUSE/SECAM	

LOCAL COMMANDS FOR IC701

1. PIC	15. 6
2. PIC (-)	16. 0
3. PIC (+)	17. CH (-)
4. VOL (-)	18. POWER
5. TIMER	19. 3
6. S	20. VOL (+)
7. 3	21. RECALL
8. CH(-)	22. 8
9. MUTE	23. 4
10. TV/AV	24. 2
11. 2	
12. 2	

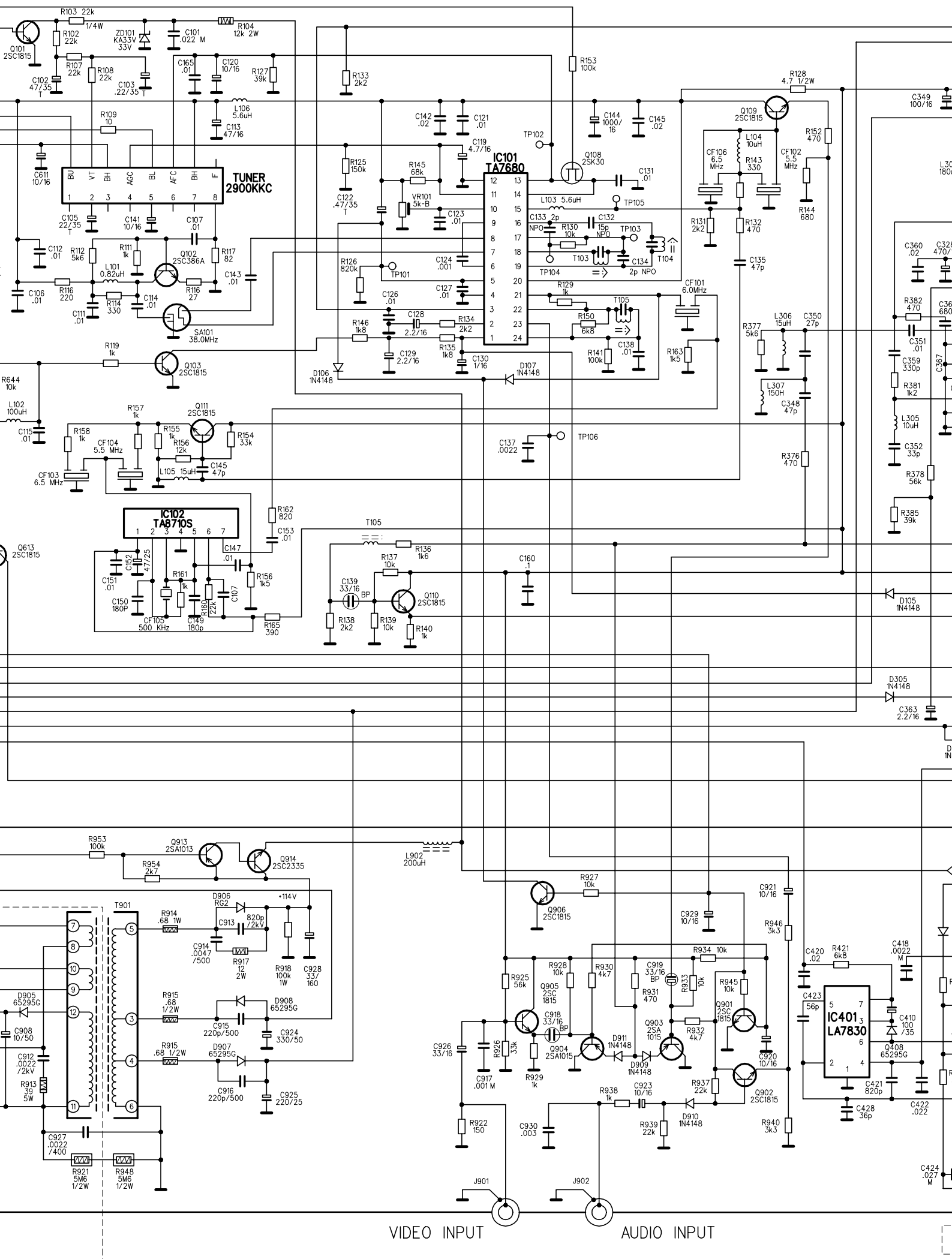
- NOTE :**
- (1) ALL CAPACITORS ARE IN UF UNLESS OTHERWISE NOTED
 - (2) ALL CAPACITORS ARE 50WV UNLESS OTHERWISE NOTED
 - (3) CAPACITORS NOT SPECIFICALLY DESIGNATED ARE CERAMIC CAPACITOR
 - (4) ELECTROLYTIC CAPACITOR
 - (5) BI-POLAR ELECTROLYTIC CAPACITOR
 - (6) TANTALUM CAPACITOR
 - (7) MYLAR CAPACITOR
 - (8) METALLIZED CAPACITOR
 - (9) POLYESTER FILM CAPACITOR
 - (10) POLYPROPYLENE CAPACITOR
 - (11) ALL RESISTORS ARE IN OHM 1/16 W UNLESS OTHERWISE NOTED
 - (12) RESISTORS NOT SPECIFICALLY DESIGNATED ARE CARBON FILM RESISTORS
 - (13) METAL OXIDE RESISTOR
 - (14) CARBON COMPOSITION RESISTOR
 - (15) CEMENT RESISTOR
 - (16) FUSEBLE RESISTOR
 - (17) THERMISTOR
 - (18) DC VOLTAGE ARE MEASURED FROM POINTS INDICATED TO THE CIRCUIT GROUND WITH A DIGITAL MULTIMETER TEST

OTYC
Royal TV3735a



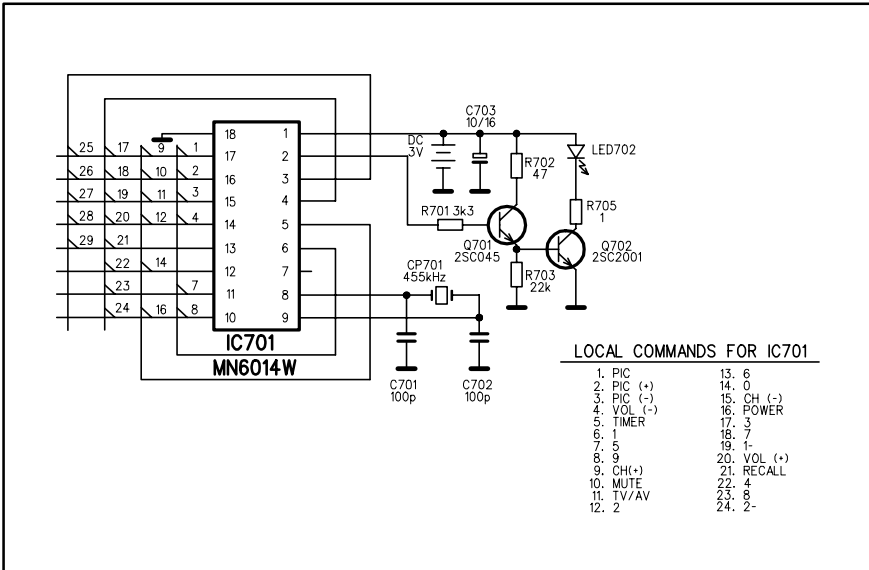
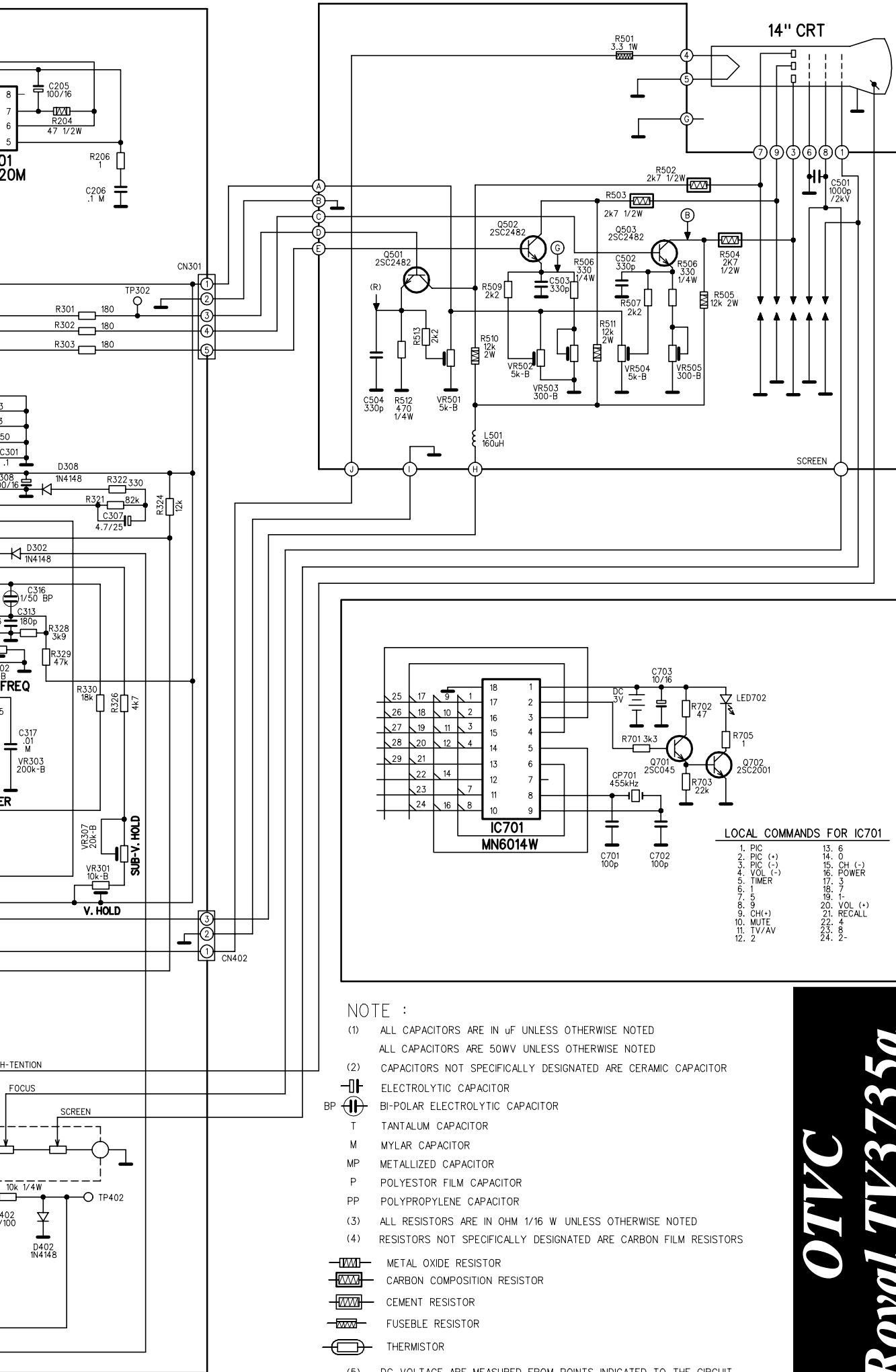
LOCAL COMMANDS

- | | |
|--------------|------------------|
| 1. HI-SPEED | 9. PICTURE |
| 2. PRE-SET | 10. VOL DOWN |
| 3. BT UP | 11. PICTURE UP |
| 4. TV/AV | 12. PROG. UP |
| 5. MEMORY | 13. BAND |
| 6. VOL UP | 14. PICTURE DOWN |
| 7. BT. DOWN | 15. PROG. DOWN |
| 8. PAL/SECAM | |



VIDEO INPUT

AUDIO INPUT

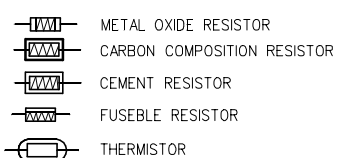


LOCAL COMMANDS FOR IC701

1. PIC	13. 6
2. PIC (+)	14. 0
3. PIC (-)	15. CH (-)
4. VOL (-)	16. POWER
5. TIMER	17. 3
6. 1	18. 7
7. 5	19. 1
8. 9	20. VOL (+)
9. CH(+)	21. RECALL
10. MUTE	22. 4
11. TV/AV	23. 8
12. 2	24. 2-

NOTE :

- (1) ALL CAPACITORS ARE IN μ F UNLESS OTHERWISE NOTED
ALL CAPACITORS ARE 50WV UNLESS OTHERWISE NOTED
- (2) CAPACITORS NOT SPECIFICALLY DESIGNATED ARE CERAMIC CAPACITOR
- (3) ALL RESISTORS ARE IN OHM 1/16 W UNLESS OTHERWISE NOTED
- (4) RESISTORS NOT SPECIFICALLY DESIGNATED ARE CARBON FILM RESISTORS



(5) DC VOLTAGE ARE MEASURED FROM POINTS INDICATED TO THE CIRCUIT GROUND WITH A DIGITAL MULTIMETER TEST

OTVC
Royal TV3735a