

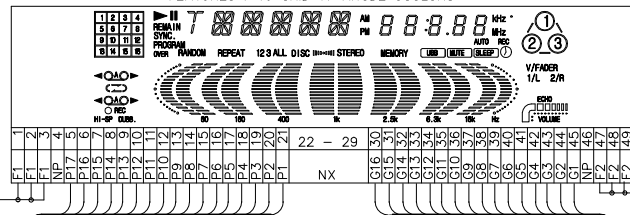
FEATURES : 16 GRID 17 ANODE 3COLORS

\*TR OLD NEW NO LIST

polarity	OLD NO	NEW NO	R1	R2
NPN	KRC1203	KRC103M	22K	22K
	KRC1210	KRC110M	4.7K	-
	KRC111M	KRC111M	10K	-
PNP	KRA2202	KRA102M	10K	10K
	KRA2203	KRA103M	22K	22K
	KRA2204	KRA104M	47K	47K

\*TR OLD NEW NO LIST

OLD NO	NEW NO
KTAI015	KTAI266
KTC1815	KTC3198
KTC1959	KTC3202
KTC732TMBL	KTC9198TMBL
KTBB834	KTBB988
KTC2236A	KTC3205
KTD2058	KTD2012
KTAA966A	KTAI273



REMARK1

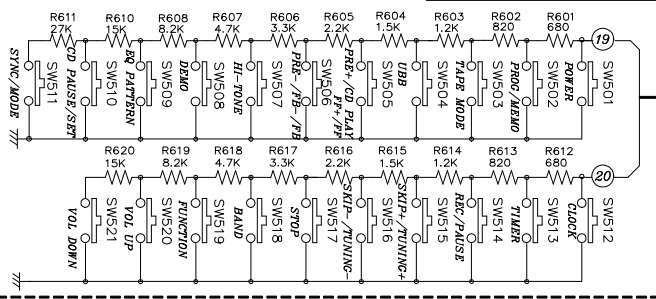
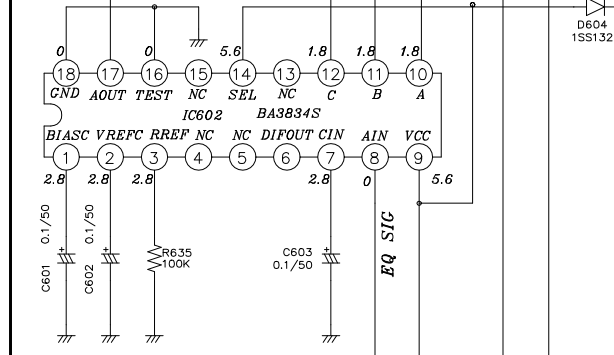
"1" means ADD DIODE.  
"0" means NO DIODE.

Pin	Signal	Area	50kHz	100kHz
51	Vp			
52	P5	AREA-1		
53	P6	AREA-2		
54	P7	AREA-3		
55	P8			
56	P9	AREA-1		
57	P10	AREA-2		
58	P11	AREA-3		
59	P12	FM STEP	50kHz	100kHz
60	P13	AM STEP	10kHz	9kHz
61	P14	COLON	BLINKING	STOP
62	P15	AUTO MEMORY		

REMARK2

DB	1	2	3	4	5	6	7	8	9	10
D7	1	0	1	0	1	0	1	0	1	0
D6	1	1	1	0	1	0	1	0	1	0

IC601  
LC866540V  
F-217 U-COM



PN601  
TO MAIN

- 1 F1
- 2 F2
- 3 YKK(-31V)
- 4 GND(D)
- 5 FMST
- 6 A-MUTE
- 7 SCL
- 8 SDA
- 9 DI
- 10 PLL CE
- 11 PLL CLK
- 12 DO

PN603  
TO MAIN

- 1 +5.6V
- 2 P-SNS
- 3 GND(A)
- 4
- 5
- 6

PN602  
TO MAIN

- 1 MODE/RECR/RECF/HALF
- 2 PBMUTE
- 3 RECMUTE
- 4 REC BIAS
- 5 CD POWER
- 6 P-CONTROL
- 7
- 8 EQ SIC
- 9 SOL
- 10 MOTOR
- 11 HALL
- 12 +10.4V(LED)

