

D

D

C

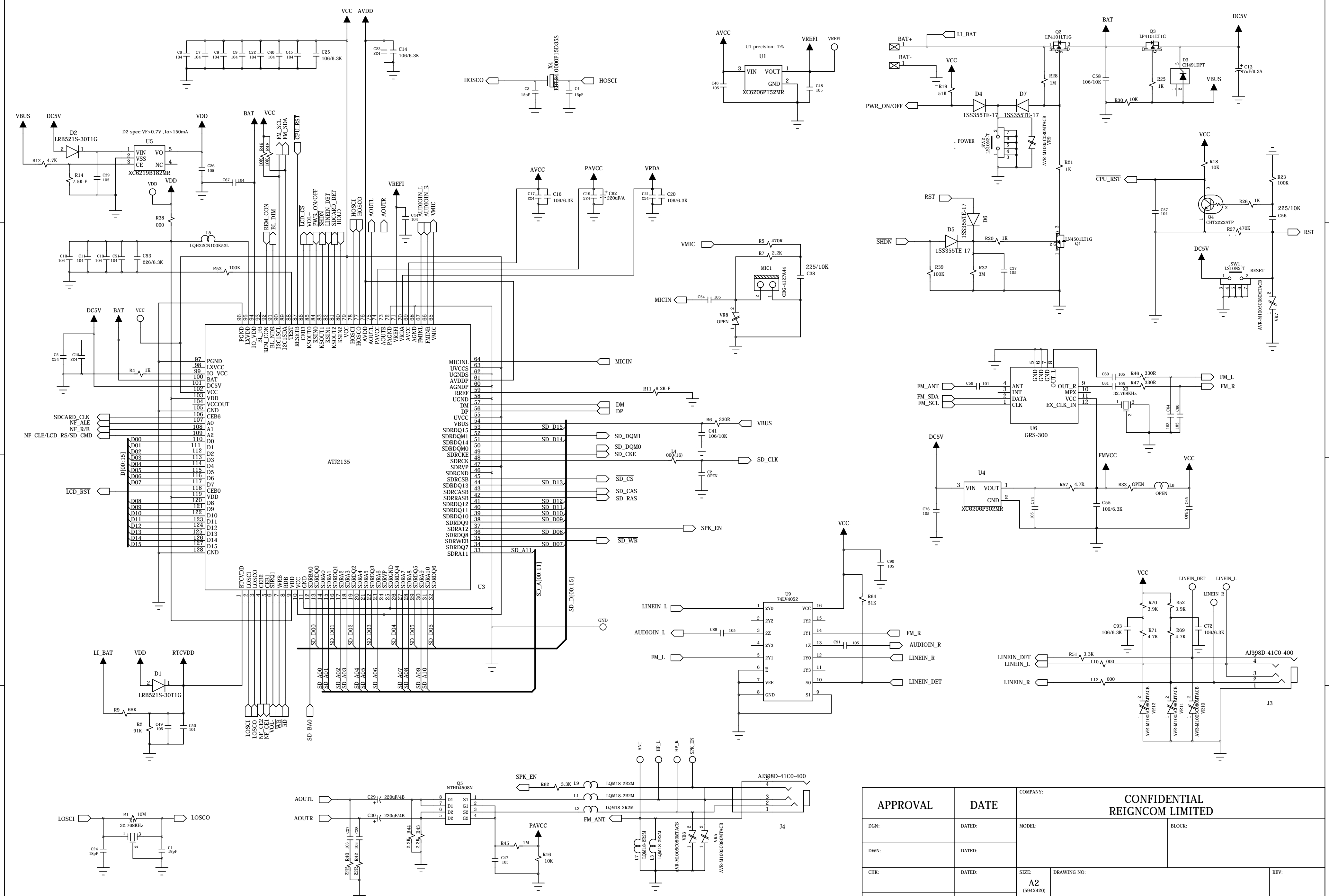
C

B

B

A

A



<b>APPROVAL</b>		<b>DATE</b>		COMPANY: <b>CONFIDENTIAL REIGNCOM LIMITED</b>	
DGN:	DATED:	MODEL:	BLOCK:		
DWN:	DATED:	SIZE: A2 (594X420)	DRAWING NO:		
CHK:	DATED:	DATE:	DOCUMENT NO: REGQP-0112-4	REVISION:	
APP:	DATED:	DATE:	DOCUMENT NO:	SHEET: OF	

6

5

4

3

2

1

D

D

C

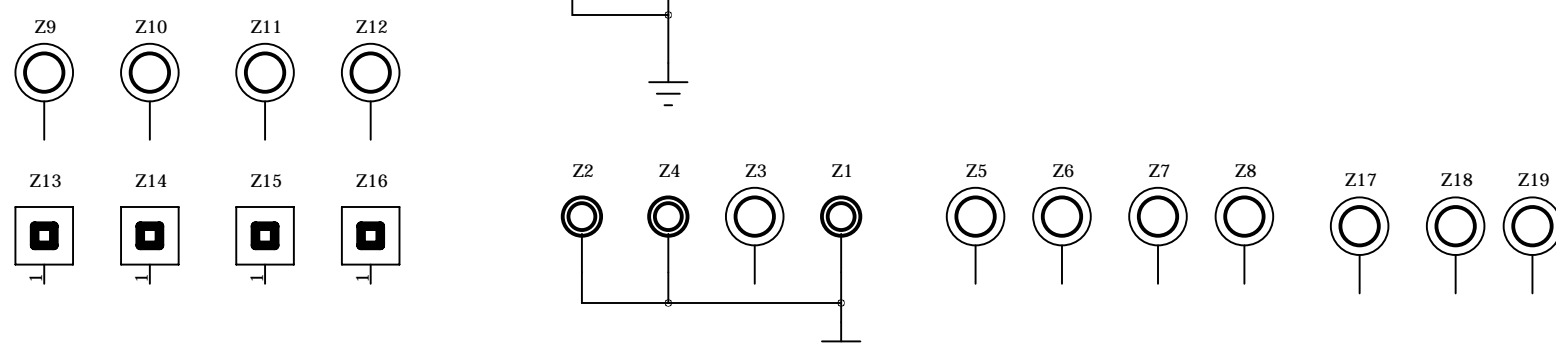
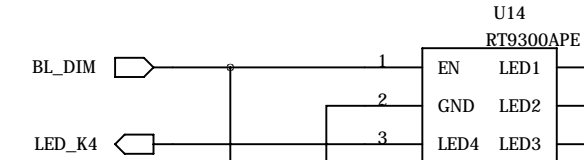
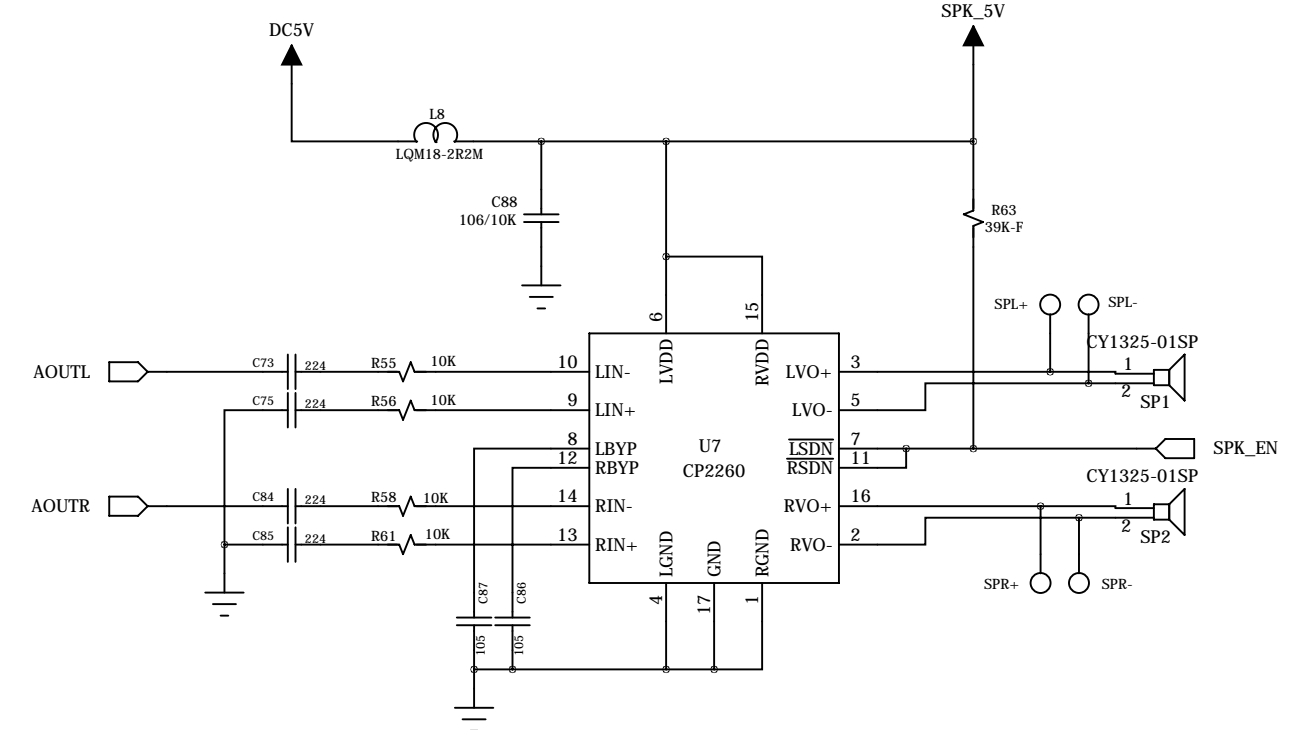
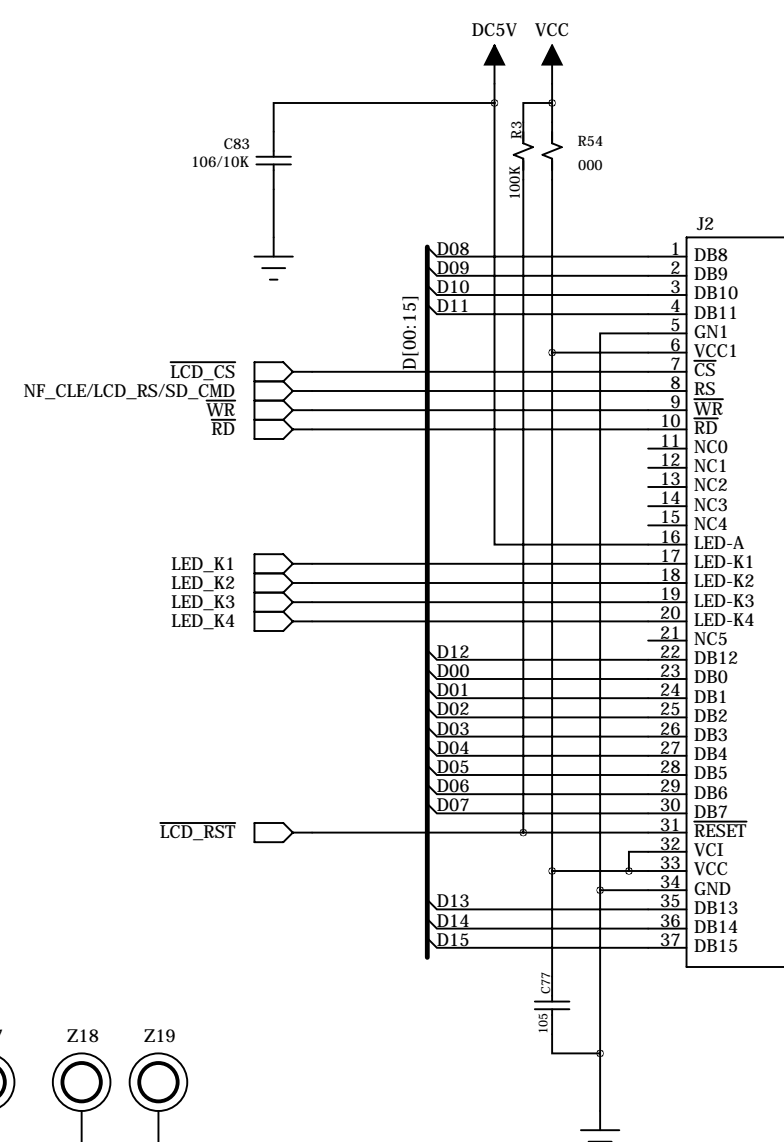
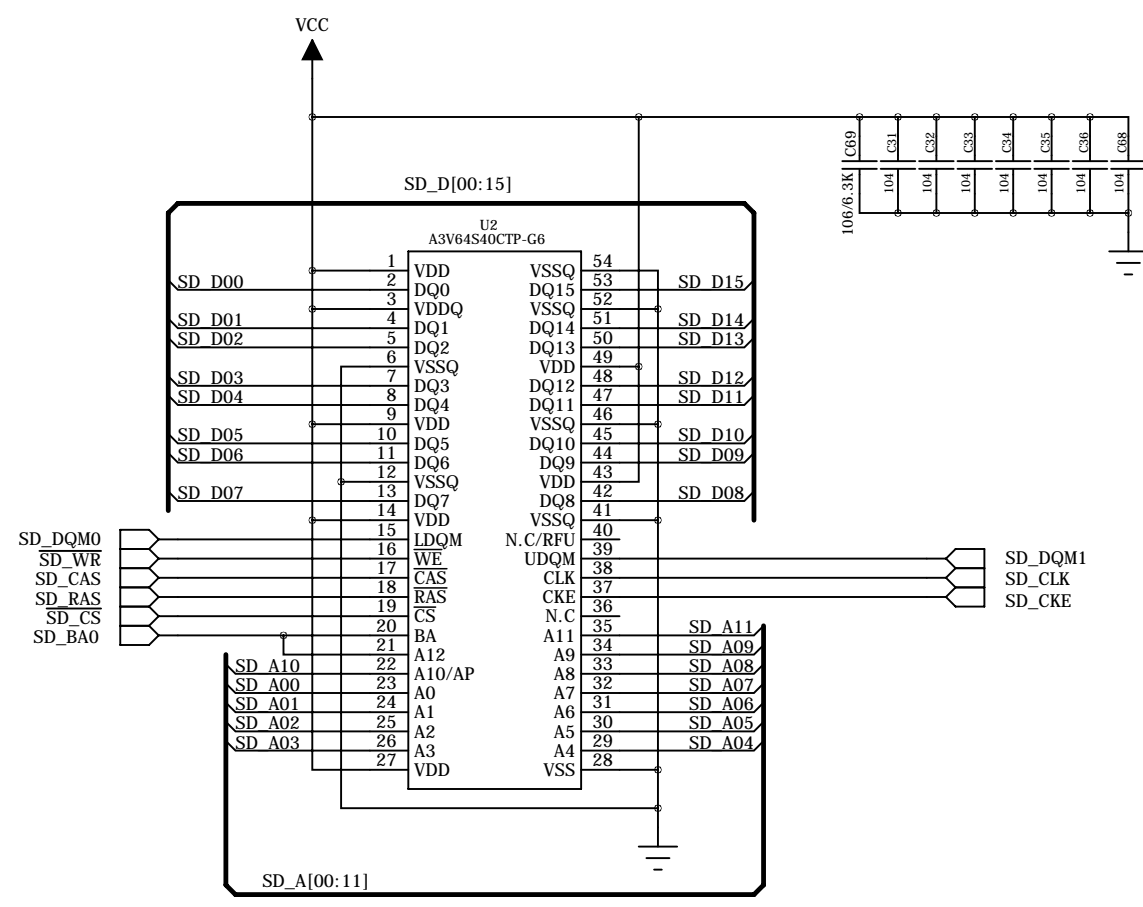
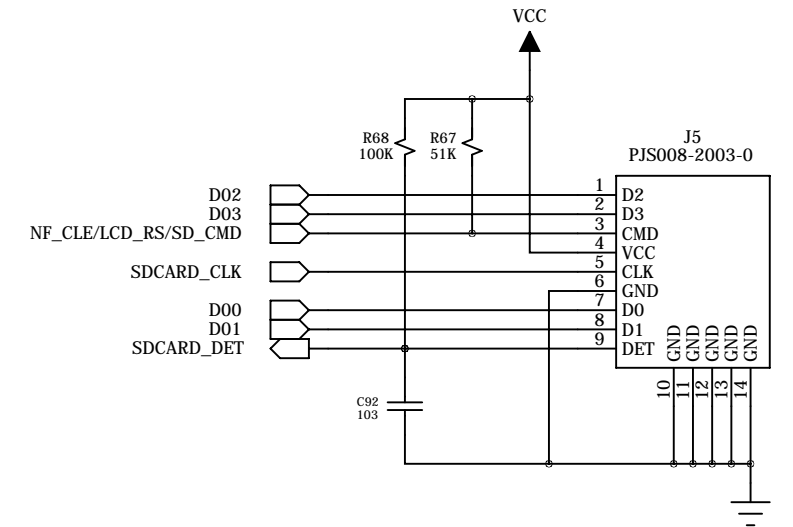
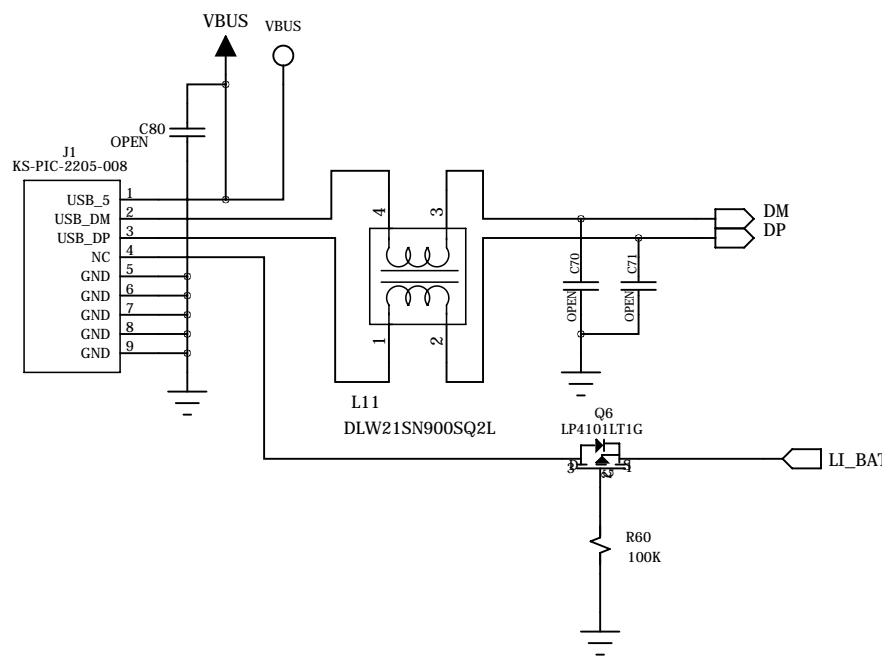
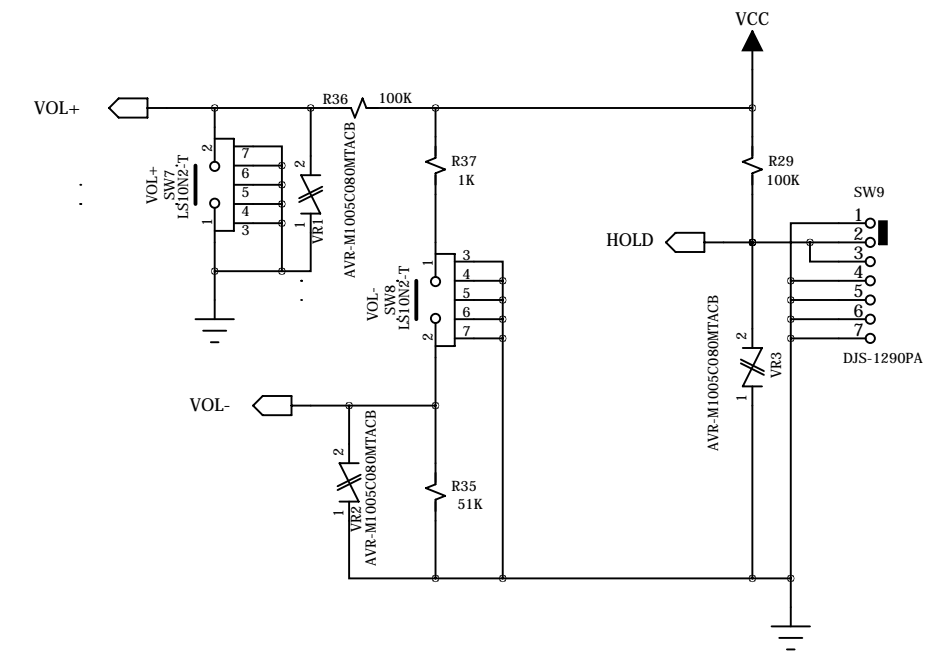
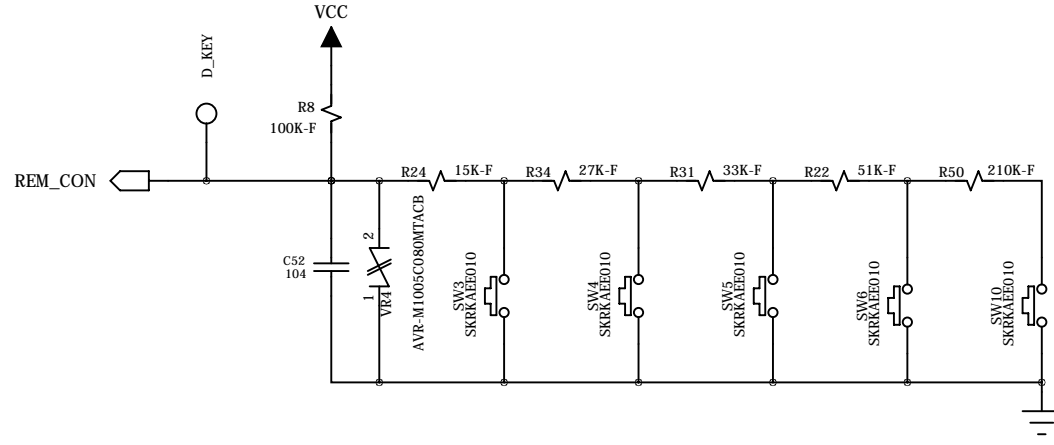
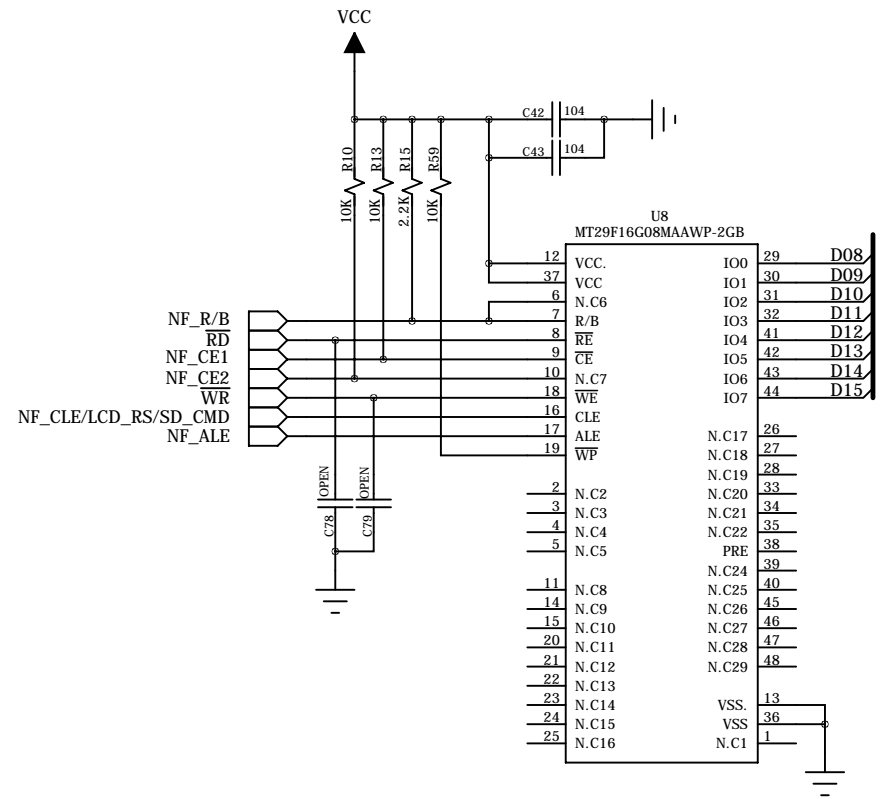
C

B

B

A

A



APPROVAL		DATE		COMPANY: CONFIDENTIAL REIGNCOM LIMITED	
DGN:	DATED:	MODEL:	BLOCK:		
DWN:	DATED:				
CHK:	DATED:	SIZE: A2 (304X420)	DRAWING NO:		REV:
APP:	DATED:	DATE:	DOCUMENT NO: REGQP-0112-4	SHEET: OF	