

PARTS LIST

코드 : 700-0501

MODEL : D.S.O. (DG SCOPE-20MHz)

P/L구분 : 可

REVISION DATE : 1998. 10. 13. (No. : 15TH)

레벨	품목코드	품목명 (NAME)	규격 (DESCRIPTION)	단위	Q'TY	PART - NO	업체명	비고
01	3D1-0101	PCB SET ASS'Y	DG SCOPE-20MHz (PCB SET ASS'Y)	SET	1			
02	3D1-0201	DIGITAL BOARD	DG SCOPE-20MHz (DIGITAL BOARD)	SET	1			
03	3D1-0301	DIGITAL BOARD CHIP MOUNT	20MHz (DIGITAL BOARD CHIP MOUNT)	SET	1			
04	008-0180	CHIP CERAMIC CAP.	GMC21Y5V104Z50N (104/50V)	EA	49			
04	008-01C2	CHIP CERAMIC CAP.	GMC21COG471J50N (470pF/50V)	EA	3	C69,C71,C82		
04	008-0106	CHIP CERAMIC CAP.	GMC21COG220J50N1F (22p/50V)	EA	1	C6		
04	008-0121	CHIP CERAMIC CAP.	GMC21COG101J50N (100pF/50V)	EA	4	C12,C68,C77,C100		
04	008-01D2	CHIP CERAMIC CAP.	GMC21COG470J50N1F (47p/50V)	EA	2	C4,C81		
04	016-0112	SWITCHING DIODE	KDS160/1SS355	EA	9	CR2,CR3,CR4,CR5,CR7,CR8,CR9, CR10,CR13		
04	049-0311	TRANSISTOR	FP1F3P/KRA226S	EA	2	Q15,Q17		
04	049-0312	TRANSISTOR	FB1F3P/ERC246S	EA	1	Q16		
04	049-0208	F.E.T.	2SJ182(S)	EA	1	Q4		
04	049-0209	F.E.T.	2SK932	EA	2	Q10,Q13		
04	037-01C0	CHIP R.	MCR 10J EZH 2012 47kΩ	EA	1	R36		
04	037-01E5	CHIP R.	MCR 10J EZH 2012 18kΩ	EA	2	R6,R27		
04	037-01B1	CHIP R.	MCR 10J EZH 2012 12kΩ	EA	2	R8,R60		
04	037-01A7	CHIP R.	MCR 10J EZH 2012 6.8kΩ	EA	2	R9,R10		
04	037-0180	CHIP R.	MCR 10J EZH 2012 100Ω	EA	5	R12,R13,R16,R25,R68		
04	037-01D4	CHIP R.	MCR 10J EZH 2012 390kΩ	EA	1	R17		
04	037-01B0	CHIP R.	MCR 10J EZH 2012 10kΩ	EA	4	R20,R50,R52,R81		
04	037-01B3	CHIP R.	MCR 10J EZH 2012 15kΩ	EA	2	R21,R76		
04	037-0198	CHIP R.	MCR 10J EZH 2012 2.2kΩ	EA	4	R22,R48,R61,R62		
04	037-0182	CHIP R.	MCR 10J EZH 2012 220Ω	EA	2	R23,R51		
04	037-01B6	CHIP R.	MCR 10J EZH 2012 27kΩ	EA	1	R24		
04	037-01A6	CHIP R.	MCR 10J EZH 2012 5.6kΩ	EA	1	R28		
04	037-01D8	CHIP R.	MCR 10J EZH 2012 1MΩ	EA	3	R1,R31,R72		
04	037-01H5	CHIP R.	MCR 10J EZH 2012 180Ω	EA	1	R5		
04	037-0192	CHIP R.	MCR 10J EZH 2012 1kΩ	EA	10	R2,R32,R46,R47,R63,R64,R65, R66,R67,R82		
04	037-01F6	CHIP R.	MCR 10J EZH 2012 10Ω	EA	2	R34,R35		
04	037-0179	CHIP R.	MCR 10J EZH 2012 47Ω	EA	12	R37,R38,R39,R40,R41,R42,R43, R44,R49,R56,R57,R58		
04	037-01H6	CHIP R.	MCR 10J EZH 2012 270Ω	EA	1	R45		
04	037-01C5	CHIP R.	MCR 10J EZH 2012 100kΩ	EA	1	R53		
04	037-01C7	CHIP R.	MCR 10J EZH 2012 150kΩ	EA	2	R54,R55		
04	037-0196	CHIP R.	MCR 10J EZH 2012 1.8kΩ	EA	1	R59		
04	037-01J2	CHIP R.	MCR 10F EZH 2012 1.8kΩ	EA	1	R14		
04	037-01K1	CHIP R.	MCR 10F EZH 2012 2.7kΩ	EA	3	R15,R19,R70		
04	037-01I6	CHIP R.	MCR 10F EZH 2012 3.9kΩ	EA	1	R18		
04	037-01K8	CHIP R.	MCR 10F EZH 2012 470Ω	EA	1	R69		

PARTS LIST

코드 : 700-0501      MODEL : D.S.O.(DG SCOPE-20MHz)      P/L구분 : 可      REVISION DATE : 1998. 10. 13. (No. : 15TH)

과	번	품목코드	품목명	규격	단위	Q'TY	PART - NO	업체명	비고
04	---	037-01K9	CHIP R.	MCR 10F EZH 2012 330Ω	EA	1	R71		
04	---	037-0113	CHIP R	MCR 10F EZH 2012 10kΩ	EA	1	R73		
04	---	037-01K0	CHIP R.	MCR 10F EZH 2012 20kΩ	EA	1	R75		
04	---	026-2828	I.C.	IS62C256-70U	EA	2	U1,U5		
04	---	026-1306	I.C.	TC5565AFL/GM76C88ALFW-15	EA	1	U6		
04	---	026-1303	I.C.	74HC14(SMD)	EA	1	U7		
04	---	026-1304	I.C.	74HC123(SMD)	EA	4	U8,U18,U26,U30		
04	---	026-1305	I.C.	74HC138(SMD)	EA	1	U9		
04	---	026-1018	I.C.	TL7702ACD(SMD)	EA	1	U10		
04	---	026-1019	I.C.	TL064CPS/NJM064M(SMD)	EA	1	U12		
04	---	026-2833	I.C.	IS61C256AH-15J(SMD)	EA	2	U13,U14		
04	---	026-1307	I.C.	74HC573(SMD)	EA	2	U15,U16		
04	---	026-1308	I.C.	74HC112(SMD)	EA	1	U17		
04	---	026-2834	I.C.	CXD1175AM(SMD)/HI1175M	EA	2	U20,U21		
04	---	026-1310	I.C.	74AC86(SMD)	EA	1	U22		
04	---	026-1311	I.C.	74AC574(SMD)	EA	1	U23		
04	---	026-1315	I.C.	74HC4094(SMD)	EA	1	U29		
04	---	026-2835	I.C.	MP7682KS	EA	1	U31		
04	---	037-01B3	CHIP R.	MCR 10J EZH 2012 15kΩ	EA	1	BT1		
04	---	026-2801	I.C.	UPC1093T-E2	EA	3	U2,U25,U41		
04	---	035-0504	P.C.B.	20MHz DIGITAL BOARD(242×130×1	EA	1			
04	---	026-2838	I.C.	DSO-96	EA	1	U33		
04	---	049-0303	TRANSISTOR	KTC3875S Y-RTK(SOT-23)/2SC2412	EA	3	Q2,Q5,Q8		
04	---	026-1323	I.C.	74AC04(SMD)	EA	2	U19,U35		
04	---	008-0514	TANTAL CAP.	47μF/10V(SMD)D2	EA	1	C20		
04	---	008-0511	TANTAL CAP.	10μF/6.3V~10V(SMD)B2	EA	2	C5,C13		
04	---	026-1319	I.C.	74HC74(SMD)	EA	1	U38		
04	---	008-0130	CHIP CERAMIC CAP.	GMC21C0G030C50N(3pF/50V)	EA	1	C95		
04	---	026-1324	I.C.	74AC08AF	EA	1	U37		
04	---	026-0924	C.P.U.	Z84C0006FEC	EA	1	U3		
04	---	026-1322	I.C.	74HC32AF	EA	1	U40		
04	---	016-0627	ZENER DIODE	3V9 0.5W S	EA	1	CR1		
04	---	026-1015	I.C.	NJM062M-TE3(SMD)	EA	1	U32		
04	---	049-0304	TRANSISTOR	KTA1504S Y-RTK(SOT-23)/2SA1037	EA	7	Q1,Q3,Q7,Q9,Q11,Q12,Q14		
04	---	026-0134	L.S.I.	MAX506BCWP	EA	1	U11		
04	---	037-0100	CHIP R.	MCR 10F EZH 2012 39kΩ	EA	1	R74		
04	---	037-01Q7	CHIP R.	MCR 10J EZH 2012 4.3kΩ	EA	1	R80		
04	---	037-01J0	CHIP R.	MCR 10F EZH 2012 12kΩ	EA	2	R99,R100,		
04	---	037-01A1	CHIP R.	MCR 10J EZH 2012 3.3kΩ	EA	2	R7,R11		
04	---	026-1318	I.C.	74HC165AF	EA	1	U28		
04	---	008-0102	CHIP CERAMIC CAP.	GMC21C0G100D50N(10pF/50V)	EA	4	C14,C16,C58,C98		

PARTS LIST

코드 : 700-0501

MODEL : D.S.O. (DG SCOPE-20MHz)

P/L구분 : 可

REVISION DATE : 1998. 10. 13. (No. : 15TH)

레벨	품목코드	품목명	규격	단위	Q'TY	PART - NO	업체명	비고
04---	026-1326	I.C.	MSM82C51A-2GS	EA	1	U24		
04---	026-1325	I.C.	MSM82C55A-2GS	EA	1	U27		
04---	035-0524	P.C.B	HC123	EA	1			
05-	026-1304	I.C.	74HC123(SMD)	EA	1	U120		
05-	037-0198	CHIP R.	MCR 10J EZH 2012 2.2kΩ	EA	1	R120		
05-	008-0117	CHIP CERAMIC CAP.	GMC21COG391J50N1F(390p/50V)	EA	1	C120		
05-	012-0667	WAFER	SINGLE ROW 4P(2.0mm)	EA	1			
04---	035-0525	P.C.B	ICSOCKET	EA	2			
04---	037-1142	M.D.V.R.(SMD)	C3314TX 1kΩ	EA	1	RV1		
03-----	3D1-0302	DIGITAL BOARD INSERT	20MHz(DIGITAL BOARD INSERT)	SET	1			
04---	008-0902	TRIMMER CAP.	20pF 5φ	EA	1	CV1		
04---	014-0212	CRYSTAL	HC49-U 20MHz	EA	1	X1		
04---	047-0105	THERMISTOR	15KD-5	EA	1	R26		
04---	037-1521	ARRAY RESISTOR	RKC 1/8 B4 472J	EA	1	RA1		
04---	016-0901	LED(INFRARED EMITING DIOD)	DN511	EA	1	CR6		
04---	022-0103	JACK TERMINAL	M3850(5x16)	EA	3	J3, J4, J5		
04---	014-0214	CRYSTAL	HC49-U 19.6608MHz	EA	1	X2		
04---	026-2831	I.C.	UPD27C1001	EA	1	U4		
04---	042-0124	I.C. SOCKET	WSDIF-32T	EA	1			
04---	012-0636	WAFER	8831ER-20-170L	EA	1	P3		
04---	012-0654	WAFER	5597-08APB	EA	1			
04---	012-0653	WAFER	5597-24APB	EA	1			
04---	008-0703	M.P.F.C.	223/63V(0.022) MMY-168	EA	1	C7		
04---	012-0642	WAFER	53015-0610	EA	1			
04---	012-0649	WAFER	53015-1510	EA	1			
04---	045-0403	POWER SWITCH	A3AA-90L1-00D	EA	1	SW1		
04---	012-0661	WAFER	5597-14APB	EA	1			
04---	123-0261	HARNESS	MDSW 07	EA	1			
04---	123-0264	HARNESS	MDSW 10	EA	1			
04---	037-1259	M.T.V.R.	68PR 10kΩ	EA	1	RV2		
04---	037-1260	M.T.V.R.	68PR 5kΩ	EA	1	RV3		
04---	008-0333	E.C.	47μF/10 <sup>-7</sup> 50V(6.3x5)	EA	10	C18, C19, C21, C56, C61, C62, C66, C70, C83, C86		
02-----	3D1-0202	ANALOG BOARD	DG SCOPE-20MHz(ANALOG BOARD)	SET	1			
03-----	3D1-0303	ANALOG BOARD CHIP MOUNT	20MHz(ANALOG BOARD CHIP MOUNT)	SET	1			
04---	008-0180	CHIP CERAMIC CAP.	GMC21Y5V104Z50N(104/50V)	EA	91			
04---	008-01C2	CHIP CERAMIC CAP.	GMC21COG471J50N(470pF/50V)	EA	1	C5		
04---	008-01F3	CHIP CERAMIC CAP.	GMC21COG102J50N1F(102/50V)	EA	2	C26, C27		
04---	008-0125	CHIP CERAMIC CAP.	GMC21COG150J50N1F(15p/50V)	EA	4	C56, C60, C86, C100		
04---	008-0118	CHIP CERAMIC CAP.	GMC21COG221J50N1F(220p/50V)	EA	1			
04---	008-0511	TANTAL CAP.	10μF/6.3V~10V(SMD)B2	EA	19	C61, C62, C142, C144, C145, C201,		

PARTS LIST

코드 : 700-0501      MODEL : D.S.O.(DG SCOPE-20MHz)      P/L구분 : 可      REVISION DATE : 1998. 10. 13. (No. : 15TH)

회	품목코드	품목명	규격	단위	Q'TY	PART - NO	업체명	비고
						C202,C205,C215~C223,C225,C23 C231,		
04---	016-0101	SWITCHING DIODE(SMD)	KDS184	EA	2	CR1,CR2		
04---	016-0112	SWITCHING DIODE	KDS160/1SS355	EA	27			
04---	049-0314	TRANSISTOR	2SA1226(E3)	EA	22			
04---	049-0311	TRANSISTOR	FP1F3P/KRA226S	EA	8	Q14,Q16,Q18,Q19,Q32,Q33,Q47, Q48		
04---	049-0209	F.E.T.	2SK932	EA	6	Q20,Q21,Q22,Q35,Q36,Q37		
04---	049-0211	F.E.T.	2SK436(A22)	EA	2	Q27,Q42		
04---	049-0315	TRANSISTOR	RN2407/KRA107S	EA	8	Q51,Q52,Q53,Q54,Q55,Q56,Q57, Q58		
04---	037-0180	CHIP R.	MCR 10J EZH 2012 100Ω	EA	28			
04---	037-01C0	CHIP R.	MCR 10J EZH 2012 47kΩ	EA	7	R4,R5,R6,R7,R128,R195,R212		
04---	037-01E8	CHIP R.	MCR 10J EZH 2012 39Ω	EA	1	R9		
04---	037-01G8	CHIP R.	MCR 10J EZH 2012 22Ω	EA	6	R74,R83,R85,R140,R149,R151		
04---	037-0192	CHIP R.	MCR 10J EZH 2012 1kΩ	EA	4	R10,R12,R14,R35		
04---	037-0198	CHIP R.	MCR 10J EZH 2012 2.2kΩ	EA	10	R24,R25,R26,R54,R62,R63,R120, R186,R248,R250		
04---	037-0179	CHIP R.	MCR 10J EZH 2012 47Ω	EA	21			
04---	037-0195	CHIP R.	MCR 10J EZH 2012 1.5kΩ	EA	21			
04---	037-0193	CHIP R.	MCR 10J EZH 2012 1.2kΩ	EA	4	R20,R22,R32,R245		
04---	037-01G4	CHIP R.	MCR 10J EZH 2012 4.7kΩ	EA	4	R50,R61,R217,R223		
04---	037-01D0	CHIP R.	MCR 10J EZH 2012 220kΩ	EA	1	R51		
04---	037-0110	CHIP R.	MCR 10J EZH 2012 0Ω	EA	2	R52,R73		
04---	037-01H5	CHIP R.	MCR 10J EZH 2012 180Ω	EA	3	R57,R86,R152		
04---	037-01F6	CHIP R.	MCR 10J EZH 2012 10Ω	EA	9	R58,R82,R84,R114,R115,R148, R150,R180,R181		
04---	037-01A9	CHIP R.	MCR 10J EZH 2012 8.2kΩ	EA	1	R59		
04---	037-0182	CHIP R.	MCR 10J EZH 2012 220Ω	EA	3	R60,R98,R164		
04---	037-0196	CHIP R.	MCR 10J EZH 2012 1.8kΩ	EA	9	R71,R72,R95,R161,R240,R241, R242,R243,R244		
04---	037-01E7	CHIP R.	MCR 10J EZH 2012 180kΩ	EA	4	R75,R76,R141,R142		
04---	037-0191	CHIP R.	MCR 10J EZH 2012 820Ω	EA	6	R87,R96,R126,R153,R162,193,		
04---	037-01L1	CHIP R.	MCR 10J EZH 2012 12Ω	EA	2	R103,R169		
04---	037-0185	CHIP R.	MCR 10J EZH 2012 470Ω	EA	2	R110,R176		
04---	037-0189	CHIP R.	MCR 10J EZH 2012 680Ω	EA	2	R121,R188		
04---	037-0184	CHIP R.	MCR 10J EZH 2012 390Ω	EA	2	R127,R194		
04---	037-01D5	CHIP R.	MCR 10J EZH 2012 470kΩ	EA	6	R130,R131,R132,R197,R198,R199		
04---	037-01G3	CHIP R.	MCR 10J EZH 2012 120kΩ	EA	1	R215		
04---	037-01A7	CHIP R.	MCR 10J EZH 2012 6.8kΩ	EA	1	R216		
04---	037-01B0	CHIP R.	MCR 10J EZH 2012 10kΩ	EA	2	R219,R220		

PARTS LIST

코드 : 700-0501      MODEL : D.S.O. (DG SCOPE-20MHz)      P/L구분 : 可      REVISION DATE : 1998. 10. 13. (No. : 15TH)

회	번호	품목코드	품목명	규격	단위	Q'TY	PART - NO	업체명	비고
04---	037-01L2	CHIP R.	MCR 10F EZH 2012 1kΩ	EA	2	R11,R29			
04---	037-01L3	CHIP R.	MCR 10F EZH 2012 220Ω	EA	3	R27,R34,R64			
04---	037-01K1	CHIP R.	MCR 10F EZH 2012 2.7kΩ	EA	4	R53,R55,R68,R69			
04---	037-01I3	CHIP R.	MCR 10F EZH 2012 10kΩ	EA	3	R65,R133,R200			
04---	037-01J1	CHIP R.	MCR 10F EZH 2012 18kΩ	EA	2	R108,R174			
04---	037-01L5	CHIP R.	MCR 10F EZH 2012 2kΩ	EA	2	R109,R175			
04---	037-01J3	CHIP R.	MCR 10F EZH 2012 2.2kΩ	EA	2	R125,R192			
04---	037-01L7	CHIP R.	MCR 10F EZH 2012 27kΩ	EA	2	R211,R214			
04---	037-01L8	CHIP R.	MCR 10D EZH 2012 360Ω	EA	8	R90,R91,R93,R94,R156,R157,R159 R160			
04---	037-01L9	CHIP R.	MCR 10D EZH 2012 240Ω	EA	2	R92,R158			
04---	037-01M0	CHIP R.	MCR 10D EZH 2012 18kΩ	EA	4	R117,R119,R183,R185			
04---	037-01M1	CHIP R.	MCR 10D EZH 2012 82kΩ	EA	2	R118,R184			
04---	026-1315	I.C.	74HC4094 (SMD)	EA	7	U1,U2,U3,U4,U24,U25,U26			
04---	026-1316	I.C.	74HC4052AF	EA	1	U8			
04---	026-1317	I.C.	74HC4053AF	EA	2	U12,U17			
04---	026-1318	I.C.	74HC165AF	EA	1	U27			
04---	026-1309	I.C.	74HC04 (SMD)	EA	1	U28			
04---	026-1310	I.C.	74AC86 (SMD)	EA	1	U7			
04---	026-1510	I.C.	TC4053BF	EA	5	U10,U11,U15,U16,U21			
04---	026-1021	I.C.	TL071CPS	EA	3	U5,U9,U14			
04---	026-2801	I.C.	UPC1093T-E2	EA	1	U6			
04---	026-2802	I.C.	μ PC811G	EA	2	U13,U18			
04---	026-0123	L.S.I.	MAX134CMH	EA	1	U19			
04---	026-0410	I.C.	AD737JR	EA	1	U22			
04---	035-0505	P.C.B.	20MHz ANALOG BOARD (240×130×1.	EA	1				
04---	049-0312	TRANSISTOR	FB1F3P/KRC246S	EA	4	Q15,Q17,Q34,Q49			
04---	049-0303	TRANSISTOR	KTC3875S Y-RTK (SOT-23)/2SC2412	EA	4	Q59,Q60,Q61,Q62			
04---	049-0320	TRANSISTOR	2SC2735	EA	19				
04---	037-01L4	CHIP R.	MCR 10F EZH 2012 1.5kΩ	EA	1	R56			
04---	037-01P1	CHIP R.	MCR 10J EZH 2012 10MΩ	EA	2	R218,R251,			
04---	037-01P2	CHIP R.	MCR 10F EZH 2012 180Ω	EA	2	R123,R190			
04---	049-0304	TRANSISTOR	KTA1504S Y-RTK (SOT-23)/2SA1037	EA	5	Q1,Q2,Q50,Q64,Q65			
04---	008-0905	TRIMMER CAP.	TZB0420603B (6pF)	EA	4	CV1,CV2,CV5,CV9			
04---	026-1015	I.C.	NJM062M-TE3 (SMD)	EA	2	U20,U23			
04---	037-1142	M.D.V.R. (SMD)	C3314TX 1kΩ	EA	1	RV1			
04---	037-1146	M.D.V.R. (SMD)	C3314TX 100Ω	EA	4	RV2,RV3,RV7,RV11			
04---	037-1149	M.D.V.R. (SMD)	C3314TX 220Ω	EA	2	RV9,RV13			
04---	037-1150	M.D.V.R. (SMD)	C3314TX 22kΩ	EA	5	RV6,RV8,RV10,RV12,RV14			
04---	008-0106	CHIP CERAMIC CAP.	GMC21C0G220J50N1F (22p/50V)	EA	2				
04---	008-0517	TANTAL CAP.	68μF/16V (SMD)D2	EA	2	C143,C203			

PARTS LIST

코드 : 700-0501

MODEL : D.S.O. (DG SCOPE-20MHz)

P/L구분 : 可

REVISION DATE : 1998. 10. 13. (No. : 15TH)

레벨	품목코드	품목명	규격	단위	Q'TY	PART - NO	업체명	비고
04---	026-2814	I.C.	NJM2904M-TE3	EA	1	U30		
04---	037-01Q8	CHIP R.	MCR 10J EZH 2012 36Ω	EA	2	R8, R28		
04---	037-01N0	CHIP R.	MCR 10F EZH 2012 68kΩ	EA	2	R134, R201		
04---	037-1143	M.D.V.R. (SMD)	C3314TX 470Ω	EA	2	RV4, RV5		
04---	037-01A1	CHIP R.	MCR 10J EZH 2012 3.3kΩ	EA	12	R13, R15, R44, R48, R67, R210, R224, R225, R227, R288 R206, R226		
04---	008-0102	CHIP CERAMIC CAP.	GMC21C0G100D50N (10pF/50V)	EA	1	C116		
04---	008-0183	CHIP CERAMIC CAP.	GMC21X7R472K50N1F (472/50V)	EA	1	C19		
04---	008-0152	CHIP CERAMIC CAP.	GMC31XCG6R8D50N1F (6.8p/50V)	EA	2	C72, C112		
04---	008-0112	CHIP CERAMIC CAP.	GMC21C0G050C50N (5pF/50V)	EA	2	C57, C97		
04---	008-01G1	CHIP CERAMIC CAP.	GMC21XCG010C50N1F (1pF/50V)	EA	2	C227, C229		
04---	037-1153	M.D.V.R (SMD)	C4314 TX 100K	EA	2	RV17, RV18		
03-----	3D1-0304	ANALOG BOARD INSERT	20MHz (ANALOG BOARD INSERT)	SET	1			
04---	008-0250	CERAMIC CAP.	2.2nF/500V	EA	2	C55, C95		
04---	008-0252	CERAMIC CAP.	3pF/500V	EA	1	C77		
04---	008-0253	CERAMIC CAP.	8pF/500V	EA	2	C73, C91		
04---	008-0251	CERAMIC CAP.	5pF/500V	EA	1	C149		
04---	016-0201	RECTIFIER DIODE	1N4007	EA	9	CR29, CR30, CR31, CR32, CR33, CR34, CR35, CR36, CR37		
04---	008-0903	TRIMMER CAP.	6pF (∅5)	EA	3	CV3, CV6, CV7		
04---	008-0904	TRIMMER CAP.	10pF (∅5)	EA	4	CV4, CV8, CV11, CV12		
04---	057-0103	RELAY	ATF 219	EA	6	K1, K2, K3, K4, K5, K6		
04---	057-0104	RELAY	DSE-SL2-DC9V	EA	4	K8, K9, K10, K11		
04---	047-0102	THERMISTOR (PTC)	1.5kΩ (P2390-C886)	EA	2	PTC1, PTC2		
04---	014-0102	CRYSTAL	32.768kHz (2x6)	EA	1	X1		
04---	037-0601	M.F.R.	¼W D 900kΩ (896, 898, 900kΩ)	EA	4	R136, R203, R207, R231		
04---	037-0602	M.F.R.	¼W D 90kΩ (89.6, 89.8, 89.9, 90kΩ)	EA	1	R233		
04---	037-0606	M.F.R.	¼W D 10kΩ (10, 10.01kΩ)	EA	3	R137A, R204A, R235		
04---	050-0101	VARIATOR (SPARK GAP)	AG20PT152FL3N	EA	2	SG1, SG2		
04---	037-0822	M.F.R.	¼W F 604kΩ	EA	1	R213		
04---	037-0823	C.F.R.	2W J 100Ω	EA	1	R222		
04---	049-0210	F.E.T.	2SK332	EA	2	Q23, Q38		
04---	037-0670	M.F.R.	¼W D 1kΩ (1.001, 1.0001, 1kΩ)	EA	1	R236		
04---	012-0654	WAFER	5597-08APB	EA	1			
04---	012-0653	WAFER	5597-24APB	EA	1			
04---	037-0508	M.F.R.	½W D 9.95MΩ (9.94, 9.95MΩ)	EA	1	R230		
04---	037-0632	M.F.R.	¼W D 495Ω	EA	1	R246		
04---	037-0668	M.F.R.	¼W D 101kΩ (101.01, 101kΩ)	EA	3	R137, R204, R209		
04---	037-7045	M.F.R.	¼W D 11.2kΩ	EA	1	R234		
04---	037-7092	M.F.R.	¼W D 212kΩ	EA	1	R232		

PARTS LIST

코드 : 700-0501

MODEL : D.S.O. (DG SCOPE-20MHz)

P/L구분 : 可

REVISION DATE : 1998. 10. 13. (No. : 15TH)

레벨	품목코드	품목명	규격	단위	Q'TY	PART - NO	입체명	비고
04---	016-0404	REFERENCE DIODE	ICL8069CCZR/BJ04/LS5010HN	EA	1	CR19		
04---	037-0729	M.F.R.	1/4W F 1MΩ	EA	2	R105,R171		
04---	037-1219	M.G.V.R.	100kΩ (687A0)	EA	1	RV1		
04---	037-0904	M.N.W.R.	1/2W 4.995Ω	EA	1	R208		
04---	037-0802	M.F.R.	1/2W J 1kΩ	EA	1	R221		
04---	008-0704	M.P.F.C.	472/63V	EA	2	C140,C153		
04---	008-0707	M.P.F.C.	104/250V MMY-160 (0.1μF/250V K)	EA	1	C200		
04---	008-0427	MYLAR CAP.	683/50V	EA	1	C148		
04---	008-0231	CERAMIC CAP.	473P/50V	EA	1	C154		
04---	008-0207	CERAMIC CAP.	10P/50V	EA	2	C150,C158		
04---	008-0205	CERAMIC CAP.	330P/50V	EA	1	C151		
04---	012-0643	WAFER	53014-0210	EA	1			
04---	012-0641	WAFER	5267-3A	EA	1			
04---	012-0647	WAFER	53015-0410	EA	1			
04---	012-0650	WAFER	53015-0310	EA	1			
04---	037-1202	M.G.V.R.	200Ω (687A0)	EA	1	RV15		
04---	037-1204	M.G.V.R.	5kΩ (687A0)	EA	1	RV16		
04---	008-0733	M.P.F.C.	223/250V	EA	2	C68,C108		
04---	008-0911	TRIMMER CAP.	90pF (ø5)	EA	1	CV14		
04---	008-0901	TRIMMER CAP.	50pF/50V	EA	1	CV13		
04---	123-0262	HARNESS	MDSW 09	EA	1			
04---	042-0124	I.C. SOCKET	WSDIF-32T	EA	1			
04---	012-0801	CONNECTOR PIN	9mm	EA	32			
04---	035-0522	P.C.B.	20MHz PHOTO COUPLER (18×48×1.0	EA	1			
04---	012-0815	CONNECTOR PIN(HEADER)	SINGLE ROW 3P/2.54mm/12mm	EA	2			
04---	017-0110	POLYMER SWITCH	RXE-040 (400mA)	EA	1	F1		
04---	022-0201	GROUND POLE	M3600 (6x3.7)	EA	3			
04---	008-0376	E.C.	47μF/10V (5×7)	EA	7	C7,C13,C46,C66,C85,C106,C141		
04---	026-0811	I.C.(PHOTO COUPLER)	H11L1.300	EA	6	OC1,OC2,OC3,OC4,OC5,OC6		
02-----	3D1-0203	KEY BOARD	DG SCOPE-20MHz (KEY BOARD)	SET	1			
03-----	3D1-0305	KEY BOARD CHIP MOUNT	20MHz (KEY BOARD CHIP MOUNT)	SET	1			
04---	008-0180	CHIP CERAMIC CAP.	GMC21Y5V104Z50N (104/50V)	EA	18	C5,C6,C7,C8,C14,C16,C17,C18, C24,C27,C28,C29,C30,C31,C32, C33,C34,C35		
04---	016-0112	SWITCHING DIODE	KDS160/1SS355	EA	8	CR1,CR2,CR3,CR4,CR5,CR6,CR7, CR8		
04---	037-01M2	CHIP R.	MCR 10F EZH 2012 3.3kΩ	EA	2	R36,R38		
04---	037-01M3	CHIP R.	MCR 10F EZH 2012 6.8kΩ	EA	1	R37		
04---	037-01M5	CHIP R.	MCR 10F EZH 2012 750Ω	EA	1	R41		
04---	037-01D5	CHIP R.	MCR 10J EZH 2012 470kΩ	EA	12	R1,R2,R3,R4,R5,R6,R7,R8,R9,R10 R11,R32		

PARTS LIST

코드 : 700-0501

MODEL : D.S.O. (DG SCOPE-20MHz)

P/L구분 : 可

REVISION DATE : 1998. 10. 13. (No. : 15TH)

레벨	품목코드	품목명	규격	단위	Q'TY	PART - NO	업체명	비고
04---	037-01C0	CHIP R.	MCR 10J EZH 2012 47kΩ	EA	6	R12,R13,R14,R15,R33,R40		
04---	037-01B5	CHIP R.	MCR 10J EZH 2012 22kΩ	EA	3	R18,R19,R20		
04---	037-01G4	CHIP R.	MCR 10J EZH 2012 4.7kΩ	EA	2	R24,R30		
04---	037-01A3	CHIP R.	MCR 10J EZH 2012 3.9kΩ	EA	1	R25		
04---	037-0196	CHIP R.	MCR 10J EZH 2012 1.8kΩ	EA	1	R27		
04---	037-01C5	CHIP R.	MCR 10J EZH 2012 100kΩ	EA	1	R29		
04---	037-0198	CHIP R.	MCR 10J EZH 2012 2.2kΩ	EA	1	R31		
04---	037-01B0	CHIP R.	MCR 10J EZH 2012 10kΩ	EA	1	R34		
04---	037-0192	CHIP R.	MCR 10J EZH 2012 1kΩ	EA	2	R39,R42		
04---	026-1304	I.C.	74HC123(SMD)	EA	1	U1		
04---	026-1319	I.C.	74HC74(SMD)	EA	2	U2,U7		
04---	026-1303	I.C.	74HC14(SMD)	EA	2	U3,U5		
04---	026-1302	I.C.	74HC148AF(SMD)	EA	1	U4		
04---	026-2801	I.C.	UPC1093T-E2	EA	1	U6		
04---	035-0506	P.C.B.	20MHz KEY BOARD(127×119.5×1.6	EA	1			
04---	049-0303	TRANSISTOR	KTC3875S Y-RTK(SOT-23)/2SC2412	EA	5	Q1,Q2,Q3,Q5,Q6		
04---	037-0179	CHIP R.	MCR 10J EZH 2012 47Ω	EA	1	R22		
04---	008-0182	CHIP CERAMIC CAP.	GMC21X7R103K50N1F(103/50V)	EA	2	C3,C15		
04---	008-0513	TANTAL CAP.	1μF/10V(SMD)A2	EA	2	C2,C9		
04---	008-0514	TANTAL CAP.	47μF/10V(SMD)D2	EA	3	C1,C13,C21		
04---	037-01B6	CHIP R.	MCR 10J EZH 2012 27kΩ	EA	2	R16,R17		
04---	037-0189	CHIP R.	MCR 10J EZH 2012 680Ω	EA	1	R35		
04---	049-0304	TRANSISTOR	KTA1504S Y-RTK(SOT-23)/2SA1037	EA	2	Q4,Q7		
04---	008-01F3	CHIP CERAMIC CAP.	GMC21C0G102J50N1F(102/50V)	EA	1	C4		
04---	008-0198	CHIP CERAMIC CAP.	GMC21X7R682K50N1F(682/50V)	EA	1	C10		
04---	037-01C4	CHIP R.	MCR 10J EZH 2012 68kΩ	EA	1	R28		
04---	037-0182	CHIP R.	MCR 10J EZH 2012 220Ω	EA	1	R43,		
04---	037-1139	M.D.V.R. (SMD)	C4312TB 100kΩ	EA	1	VR1		
04---	049-0333	TRANSISTOR	KTC4377(SMD)	EA	2	Q8,Q9		
04---	008-0167	CHIP CERAMIC CAP.	GMC31X5V334Z25N1F(334/50V)	EA	1	C26		
04---	037-01A1	CHIP R.	MCR 10J EZH 2012 3.3kΩ	EA	1	R26		
03-----	3D1-0306	KEY BOARD INSERT	20MHz(KEY BOARD INSERT)	SET	1			
04---	006-0102	PIEZO BUZZER	20φ(15mm/WEB)	EA	1	BZ1		
04---	012-0801	CONNECTOR PIN	9mm	EA	5			
04---	058-0106	CCFL TRANSFORMER	CCFL TRANSFORMER	EA	1	CT1		
04---	036-0749	CCFL SHIELD CASE	27×27×8×0.2t)	EA	1			
04---	008-1004	SERGE CAP.	68p/1KV	EA	1	C25		
04---	123-0263	HARNESS	MDSW 08	EA	1			
04---	011-0164	COIL	φ 0.28 101(5×7)	EA	1			
04---	036-0750	CCFL SHIELD COVER	(27×27×0.2t)	EA	1			
02-----	3D1-0204	POWER DMM	DG SCOPE-20MHz(Power DMM)	SET	1			

PARTS LIST

코드 : 700-0501      MODEL : D.S.O. (DG SCOPE-20MHz)      P/L구분 : 可      REVISION DATE : 1998. 10. 13. (No. : 15TH)

레벨	품목코드	품목명	규격	단위	Q'TY	PART - NO	업체명	비고
03----	3D1-0307	POWER DMM CHIP MOUNT	20MHz (POWER DMM CHIP MOUNT)	SET	1			
04---	008-0180	CHIP CERAMIC CAP.	GMC21Y5V104Z50N (104/50V)	EA	27			
04---	008-0182	CHIP CERAMIC CAP.	GMC21X7R103K50N1F (103/50V)	EA	3	C39,C63,C74		
04---	037-0193	CHIP R.	MCR 10J EZH 2012 1.2kΩ	EA	3	R9,R17,R21		
04---	037-0192	CHIP R.	MCR 10J EZH 2012 1kΩ	EA	7	R8,R19,R24,R52,R64,R69,R84		
04---	037-01C5	CHIP R.	MCR 10J EZH 2012 100kΩ	EA	1	R15		
04---	037-0198	CHIP R.	MCR 10J EZH 2012 2.2kΩ	EA	3	R16,R57,R61		
04---	037-0185	CHIP R.	MCR 10J EZH 2012 470Ω	EA	1	R20		
04---	037-0182	CHIP R.	MCR 10J EZH 2012 220Ω	EA	3	R27,R47,R83		
04---	037-01A6	CHIP R.	MCR 10J EZH 2012 5.6kΩ	EA	2	R43,R44		
04---	037-01B0	CHIP R.	MCR 10J EZH 2012 10kΩ	EA	2	R49,R62		
04---	037-0110	CHIP R.	MCR 10J EZH 2012 0Ω	EA	2	R28,R60,		
04---	037-01M2	CHIP R.	MCR 10F EZH 2012 3.3kΩ	EA	1	R11		
04---	037-0113	CHIP R.	MCR 10F EZH 2012 10kΩ	EA	3	R12,R23,R41		
04---	037-01M6	CHIP R.	MCR 10F EZH 2012 47kΩ	EA	2	R14,R18		
04---	037-01L2	CHIP R.	MCR 10F EZH 2012 1kΩ	EA	1	R45		
04---	037-01J3	CHIP R.	MCR 10F EZH 2012 2.2kΩ	EA	1	R32		
04---	037-01F2	CHIP R.	MCR 10F EZH 2012 100kΩ	EA	5	R35,R36,R38,R39,R82		
04---	037-01N2	CHIP R.	MCR 10F EZH 2012 6.2kΩ	EA	1	R46		
04---	037-01M3	CHIP R.	MCR 10F EZH 2012 6.8kΩ	EA	1	R48		
04---	037-01K1	CHIP R.	MCR 10F EZH 2012 2.7kΩ	EA	1	R54		
04---	037-01N4	CHIP R.	MCR 10F EZH 2012 150kΩ	EA	1	R58		
04---	037-01K4	CHIP R.	MCR 10F EZH 2012 2.4kΩ	EA	1	R33		
04---	035-0507	P.C.B.	20MHz POWER DMM (137×81.5×1.6t)	EA	1			
04---	049-0303	TRANSISTOR	KTC3875S Y-RTK (SOT-23)/2SC2412	EA	2	Q3,Q9		
04---	026-2836	I.C.	MAX641ACS	EA	2	U1,U14		
04---	026-1022	I.C.	TL5001CPS (SMD)	EA	1	U2		
04---	026-1511	I.C.	TC4584BF	EA	1	U3		
04---	026-1019	I.C.	TL064CPS/NJM064M (SMD)	EA	1	U5		
04---	026-2837	I.C.	MAX774CSA	EA	2	U6,U7		
04---	026-2801	I.C.	UPC1093T-E2	EA	2	U9,U13		
04---	037-01D5	CHIP R.	MCR 10J EZH 2012 470kΩ	EA	1	R53		
04---	037-01P4	CHIP R.	MCR 10F EZH 2012 130Ω	EA	1	R34		
04---	037-01K9	CHIP R.	MCR 10F EZH 2012 330Ω	EA	1	R51		
04---	037-01P3	CHIP R.	MCR 10J EZH 2012 2.4kΩ	EA	1	R10		
04---	037-0176	CHIP R.	MCR 10J EZH 2012 1Ω	EA	1	R57		
04---	037-01A0	CHIP R.	MCR 10J EZH 2012 3 kΩ	EA	1	R22		
04---	016-0112	SWITCHING DIODE	KDS160/1SS355	EA	3	CR3,CR4,CR7		
04---	049-0304	TRANSISTOR	KTA1504S Y-RTK (SOT-23)/2SA1037	EA	3	Q8,Q11,Q14		
04---	026-1015	I.C.	NJM062M-TE3 (SMD)	EA	1	U4		
04---	008-0121	CHIP CERAMIC CAP.	GMC21C0G101J50N (100pF/50V)	EA	1	C71		

PARTS LIST

코드 : 700-0501      MODEL : D.S.O. (DG SCOPE-20MHz)      P/L구분 : 可      REVISION DATE : 1998. 10. 13. (No. : 15TH)

과	번호	품목코드	품목명	규격	단위	Q'TY	PART - NO	업체명	비고
04---	037-01L6	CHIP R.	MCR 10F EZH 2012 11kΩ	EA	1	R59			
04---	037-01D3	CHIP R.	MCR 10J EZH 2012 330kΩ	EA	1	R75			
04---	037-01I6	CHIP R.	MCR 10F EZH 2012 3.9kΩ	EA	1	R56			
04---	037-01K0	CHIP R.	MCR 10F EZH 2012 20kΩ	EA	1	R13			
04---	037-01B1	CHIP R.	MCR 10J EZH 2012 12kΩ	EA	1	R26			
04---	037-01K3	CHIP R.	MCR 10F EZH 2012 470kΩ	EA	1	R81			
04---	049-0208	F.E.T.	2SJ182(S)	EA	3	Q4,Q13,Q16,			
04---	037-01A1	CHIP R.	MCR 10J EZH 2012 3.3kΩ	EA	2	R37,R40			
04---	008-01C2	CHIP CERAMIC CAP.	GMC21C0G471J50N(470pF/50V)	EA	1	C72			
04---	037-01F6	CHIP R.	MCR 10J EZH 2012 10Ω	EA	1	R85			
03-----	3D1-0308	POWER DMM INSERT	20MHz(POWER DMM INSERT)	SET	1				
04---	008-0381	E.C.	330μF/16V(8×11.5)	EA	2	C5,C14			
04---	008-0368	E.C.	470μF/16V(8×11.5)	EA	21				
04---	008-0383	E.C.	220μF/25V(8×11.5)	EA	1	C25			
04---	008-0384	E.C.	2200μF/16V(12.5×30)	EA	1	C48			
04---	016-0208	RECTIFIER DIODE	3GWJ42/1N5802	EA	2	CR1,CR2			
04---	011-0153	COIL	∅0.4 131(8×11)	EA	3	L3,L5,L6,			
04---	011-0150	COIL	∅0.7 121(12×15)	EA	2	L1,L10,			
04---	011-0152	COIL	∅0.4 201(8×11)	EA	1	L9			
04---	049-0317	TRANSISTOR	2SD788(TO-92)	EA	1	Q5			
04---	049-0318	TRANSISTOR	2SA1444	EA	1	Q7			
04---	049-0212	F.E.T.	2SK974(L)	EA	3	Q1,Q12,Q19			
04---	016-0210	RECTIFIER DIODE	1GWJ42/1N5819	EA	6	CR5,CR6,CR9,CR12,CR13,CR14			
04---	037-0908	M.N.W.R.	1W F 1Ω	EA	1	R50			
04---	057-0105	RELAY	UD2H-1U(DC5V)	EA	1	K1			
04---	016-0209	RECTIFIER DIODE	V03E	EA	1	CR8			
04---	058-0104	TRANSFORMER	DMM POWER TRANS	EA	1	T1			
04---	011-0704	EMI FILTER	EXCEMI103D	EA	1	E1			
04---	011-0703	EMI FILTER	ZBF503D-00	EA	1	E2			
04---	011-0154	COIL	∅0.7 280(12×15)	EA	1	L2			
04---	011-0155	COIL	∅0.28 101(6×8)	EA	4	L4,L7,L8,L14			
04---	008-0376	E.C.	47μF/10V(5×7)	EA	2	C12,C13			
04---	012-0641	WAFER	5267-3A	EA	1	P3,			
04---	012-0643	WAFER	53014-0210	EA	1	P2,			
04---	012-0648	WAFER	53014-1210	EA	1	P6,			
04---	027-0405	DC POWER JACK	LD-0209	EA	1	J6,			
04---	123-0256	HARNESS	MDSW 06	EA	1				
04---	123-0257	HARNESS	MDSW 05	EA	1				
04---	026-0802	I.C	LTV817	EA	1	OC07			
02-----	3D1-0207	FUSE BOARD	DG SCOPE-20MHz(FUSE BOARD)	SET	1				
03-----	3D1-0314	FUSE BOARD INSERT	20MHz(FUSE BOARD INSERT)	SET	1				

PARTS LIST

코드 : 700-0501      MODEL : D.S.O. (DG SCOPE-20MHz)      P/L구분 : 可      REVISION DATE : 1998. 10. 13. (No. : 15TH)

레벨	품목코드	품목명	규격	단위	Q'TY	PART - NO	업체명	비고
	04---	017-0120	FUSE	TGD 3A	EA	1	F1	
	04---	018-0101	FUSE CLIP	P.C.B. TYPE (1A3399-10) (2A用)	EA	2		
	04---	012-0666	WAFER	53014-0610	EA	1		
	04---	035-0509	P.C.B.	20MHz FUSE BOARD (39×24.5×1.6t)	EA	1		
02-----	3D1-0209	PCB SET ASSEMBLY PART	DG SCOPE-20MHz (PCB SET ASSEMBLY	SET	1			
03-----	036-0723	DSO SHIELD CAB. A	COMPONENT SIDE	EA	1			
03-----	036-0724	DSO SHIELD CAB. B	SOLDER SIDE	EA	1			
03-----	036-0725	DSO SHIELD CAB. GUIDE A	COMPONENT SIDE	EA	1			
03-----	036-0728	DSO SHIELD CAB. GUIDE B	SOLDER SIDE	EA	1			
03-----	036-0731	DSO SHIELD CAB. COVER C	COMPONENT/SOLDER 겸용	EA	2			
03-----	036-0729	DMM SHIELD CAB. A	COMPONENT SIDE	EA	1			
03-----	036-0732	DMM SHIELD CAB. COVER D	COMPONENT/SOLDER 겸용	EA	1			
03-----	027-0605	BNC CONNECTOR	73115-5007	EA	2			
03-----	123-0255	HARNESS	MDSW 01	EA	1			
03-----	123-0260	HARNESS	MDSW 02	EA	1			
03-----	007-0103	CARD CABLE	YS-1.25-8-90(LL)-C(515110)×(0	EA	1			
03-----	007-0104	CARD CABLE	YS-1.25-24-90(LL)-C(515110)×(	EA	1			
03-----	004-0103	BATTERY	ML2430-TT1	EA	1	BT1		
03-----	041-0134	SHIELD PAPER	추가분	EA	1			
03-----	041-0135	SHIELD PAPER	추가분2	EA	1			
03-----	201-0506	VINYL TUBE (수축)	φ2	CM	2			
03-----	201-0502	VINYL TUBE (수축)	4φ	CM	2			
03-----	140-0103	SCREW	M2.6x3.5 W/PHM ZN	EA	3			
03-----	123-0198	COAXIAL WIRE	RG-179	CM	1	19cm		
03-----	140-0314	SCREW	M2.6x6 PHT-2	EA	2			
03-----	140-0320	SCREW	M2.6×4 PHT-2 Zn	EA	4			
02-----	3D1-0210	LCD MODULE SET ASS'Y	DG-SCOPE LCD	SET	1			
03-----	3D1-0315	LCD MODULE CHIP MOUNT	20MHz (LCD MODULE CHIP MOUNT)	SET	1			
04---	008-0180	CHIP CERAMIC CAP.	GMC21Y5V104Z50N(104/50V)	EA	6	C1,C2,C3,C4,C5,C6		
04---	049-0304	TRANSISTOR	KTA1504S Y-RTK(SOT-23)/2SA1037	EA	1	TR1		
04---	026-1016	I.C.	NJM324D/2902H	EA	1	IC1		
04---	026-0610	I.C.	74HC86AF(SMD)	EA	1	IC3		
04---	037-0194	CHIP R.	MCR 10J EZH 2012 1.3kΩ	EA	4	R1,R2,R4,R5		
04---	037-01B0	CHIP R.	MCR 10J EZH 2012 10kΩ	EA	1	R3		
04---	037-01F7	CHIP R.	MCR 10J EZH 2012 51Ω	EA	5	R6,R7,R8,R9,R10		
04---	026-3822	I.C	74HC393D(SMD)	EA	1	IC2		
04---	026-3823	I.C	KS0086TQ (SMD GRAPHIC)	EA	7	U1,U2,U3,U4,U5,U6,U7		
04---	035-0526	LCD PCB	130x100x1.6t	EA	1			
04---	008-0519	TANTAL CAP	3.3μF/35V	EA	2	TC1,TC2		
04---	037-01R8	CHIP R.	MCR 10J EZH 2012 0Ω	EA	1	R11		
03-----	3D1-0317	LCD MODULE ASSEMBLY PART	20MHz (LCD MODULE ASSEMBLY PART)	SET	1			

PARTS LIST

코드 : 700-0501 MODEL : D.S.O.(DG SCOPE-20MHz) P/L구분 : 可 REVISION DATE : 1998. 10. 13. (No. : 15TH)

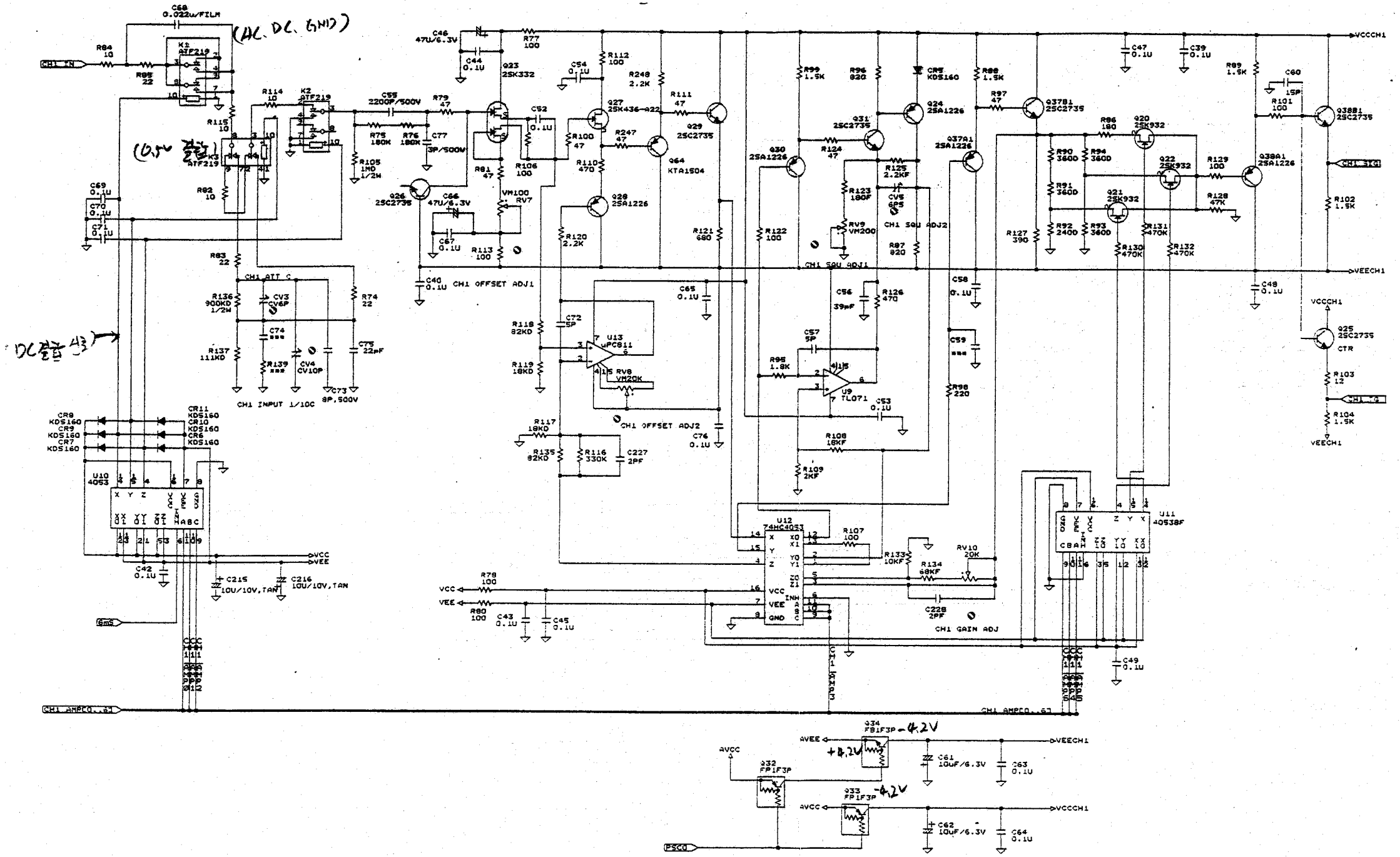
회	품목코드	품목명	규격	단위	Q'TY	PART - NO	업체명	비고
	04---	012-0229	INTER CONNECTOR	SRCN LJ37-32048A(UG32F)	EA	2		
	04---	012-1001	HEAT SEAL	SRCN JS-KN LJ37-22013A(UG32F)	EA	1		
	04---	025-2344	CCFL BACK LIGHT UNIT	SPLP-97-059C	EA	1		
	04---	029-0139	L.C.D.	WG32F15C	EA	1		
	04---	007-0106	CARD CABLE	14p 1.25mm/180mm	EA	1		
	04---	036-0751	BEZZEL	DG SCOPE/BLACK도장	EA	1		
01	-----	3D1-0102	CASE SET ASS'Y	DG SCOPE-20MHz(CASE SET ASS'Y)	SET	1		
	-----	3D1-0205	FRONT CASE ASS'Y	DG SCOPE-20MHz(FRONT CASE ASS'Y)	SET	1		
03	-----	025-1152	FRONT CASE	DG SCOPE-20MHz(ABS)	EA	1		
03	-----	025-1516	WINDOW	DG SCOPE PC(115×90×1.0t)	EA	1		
03	-----	139-0120	KEY RUBBER(FUNCTION)	DG SCOPE-20MHz	EA	1		
03	-----	139-0121	KEY RUBBER(MENU)	DG SCOPE-20MHz A	EA	1		
03	-----	139-0122	KEY RUBBER(MENU)	DG SCOPE-20MHz B	EA	1		
04	-----	022-0315	INSERT FRONT(U.S)	5φx12.5	EA	4		
03	-----	140-0314	SCREW	M2.6x6 PHT-2	EA	4		
03	-----	027-0701	CALIBRATION JACK A	DG SCOPE-20MHz	EA	1		
03	-----	140-0322	SCREW	M2.6×9.0 BHT	EA	6		
03	-----	045-0701	ENCODER SWITCH	2EC16B242F15D	EA	1	SW23	
03	-----	140-0137	SCREW-PH	2.6φx4 PHT-2(BLACK)	EA	5		
03	-----	025-2201	JACK TERMINAL MOLD	M3850(RED)	EA	2		
03	-----	025-2203	JACK TERMINAL MOLD	M3850(BLACK)	EA	1		
02	-----	3D1-0206	BACK CASE ASS'Y	DG SCOPE-20MHz(BACK CASE ASS'Y)	SET	1		
03	-----	025-1225	BACK CASE	DG SCOPE-20MHz	EA	1		
03	-----	025-1712	BATTERY COVER	DG SCOPE-20MHz	EA	1		
03	-----	022-0306	BATTERY INSERT	4φx5	EA	2		
03	-----	022-0332	INSERT	φ5.0×5.0	EA	2		
03	-----	140-0108	SCREW	M2.6x10.5 PHM S=6	EA	2		
03	-----	140-0322	SCREW	M2.6×9.0 BHT	EA	6		
03	-----	140-0320	SCREW	M2.6×4 PHT-2 Zn	EA	4		
03	-----	140-0137	SCREW-PH	2.6φx4 PHT-2(BLACK)	EA	5		
03	-----	004-0104	BATTERY	4HR-AUZGH(Ni-MH)	EA	1		
02	-----	3D1-0208	CASE SET ASSEMBLY PART	DG SCOPE-20MHz(CASE SET ASSEMBL)	SET	1		
03	-----	025-1325	ENCODER KNOB	DG SCOPE-20MHz	EA	1		
03	-----	140-0112	SCREW	M3x7 PHM S/W ZN	EA	2		
03	-----	025-1410	STAND	DG SCOPE-20MHz A	EA	1		
03	-----	025-2109	STAND GUIDE	DG SCOPE-20MHz	EA	2		
03	-----	025-1411	STAND	DG SCOPE-20MHz B	EA	1		
03	-----	140-0105	SCREW	M3x21 PHM S/W ZM S=5	EA	4		
01	-----	3D1-0103	ASSEMBLY PART	DG SCOPE-20MHz(ASSEMBLY PART)	SET	1		
02	-----	025-2331	HOLSTER	DG SCOPE-20MHz(PVC)	EA	1		
02	-----	146-0107	TESTER LEAD	M3600	EA	1		

PARTS LIST

코드 : 700-0501    MODEL : D.S.O.(DG SCOPE-20MHz)    P/L구분 : 可    REVISION DATE : 1998. 10. 13. (No. : 15TH)

레벨	품목코드	품목명	규격	단위	Q'TY	PART - NO	업체명	비고
02-----	213-3738	VINYL	DG-SCOPE 20MHz (SET)	EA	1			
02-----	146-0121	OSCILLO SCOPE PROBE	LF-101E 60MHz (수출)	EA	2			
02-----	002-0103	AC CORD	KKP30 SVT#3/18(110V/16A)	EA	1			
02-----	109-0212	CARRYING CASE	DG-SCOPE 20MHz (METEX)	EA	1			
02-----	017-0120	FUSE	TGD 3A	EA	1			
02-----	130-01A1	MANUAL	DG SCOPE-20MHz(영어)	EA	1			

(주)메텍스



Title	NDS 20 4001 ARE AMP
Size Document	100
Date:	JUL 1968

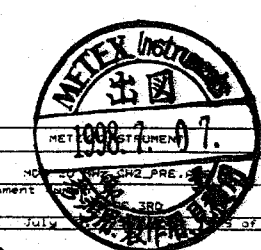
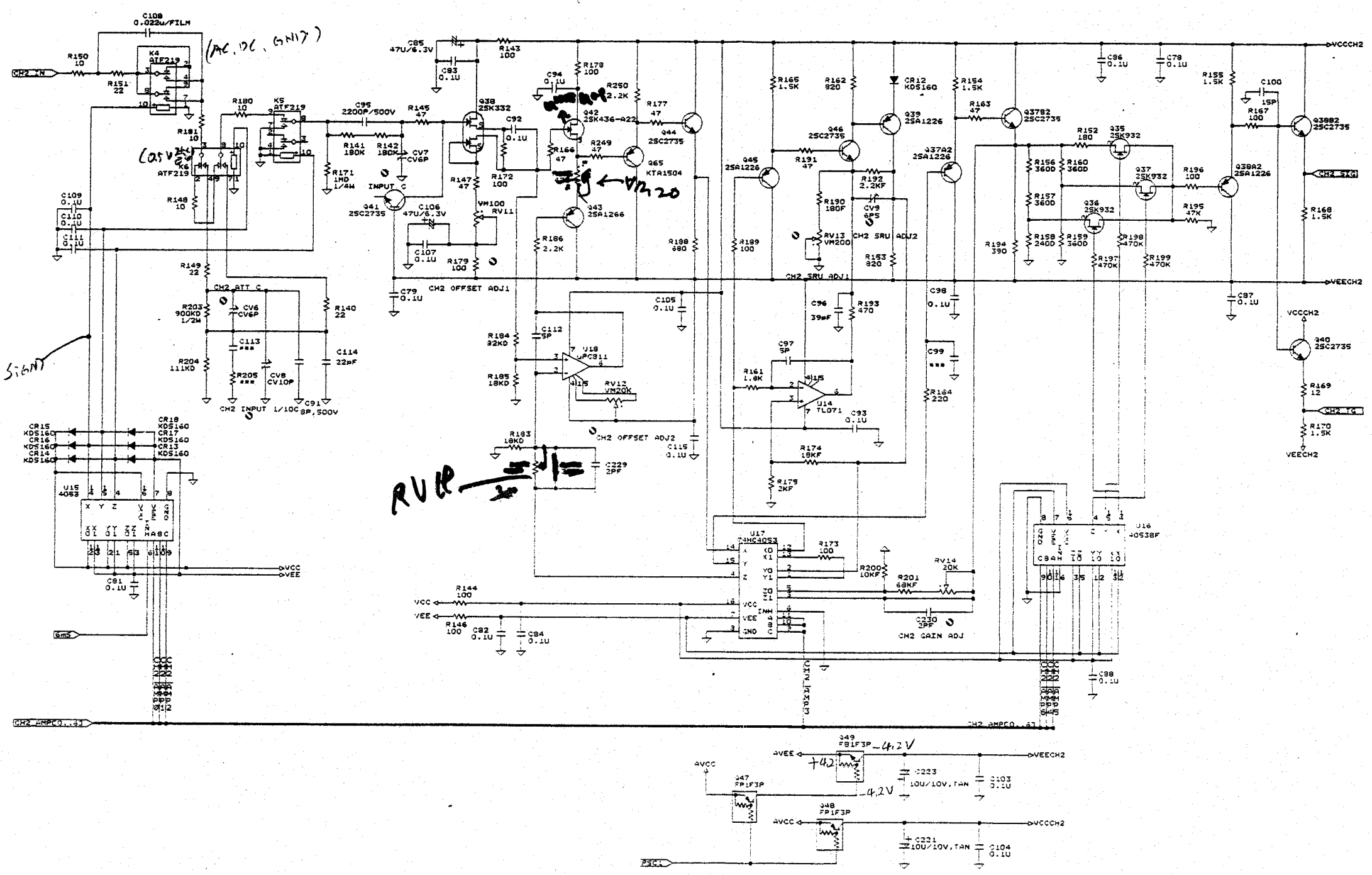
Amp CH1 scope

AC, DC, GAIN

DC 0V SIGN

RVP

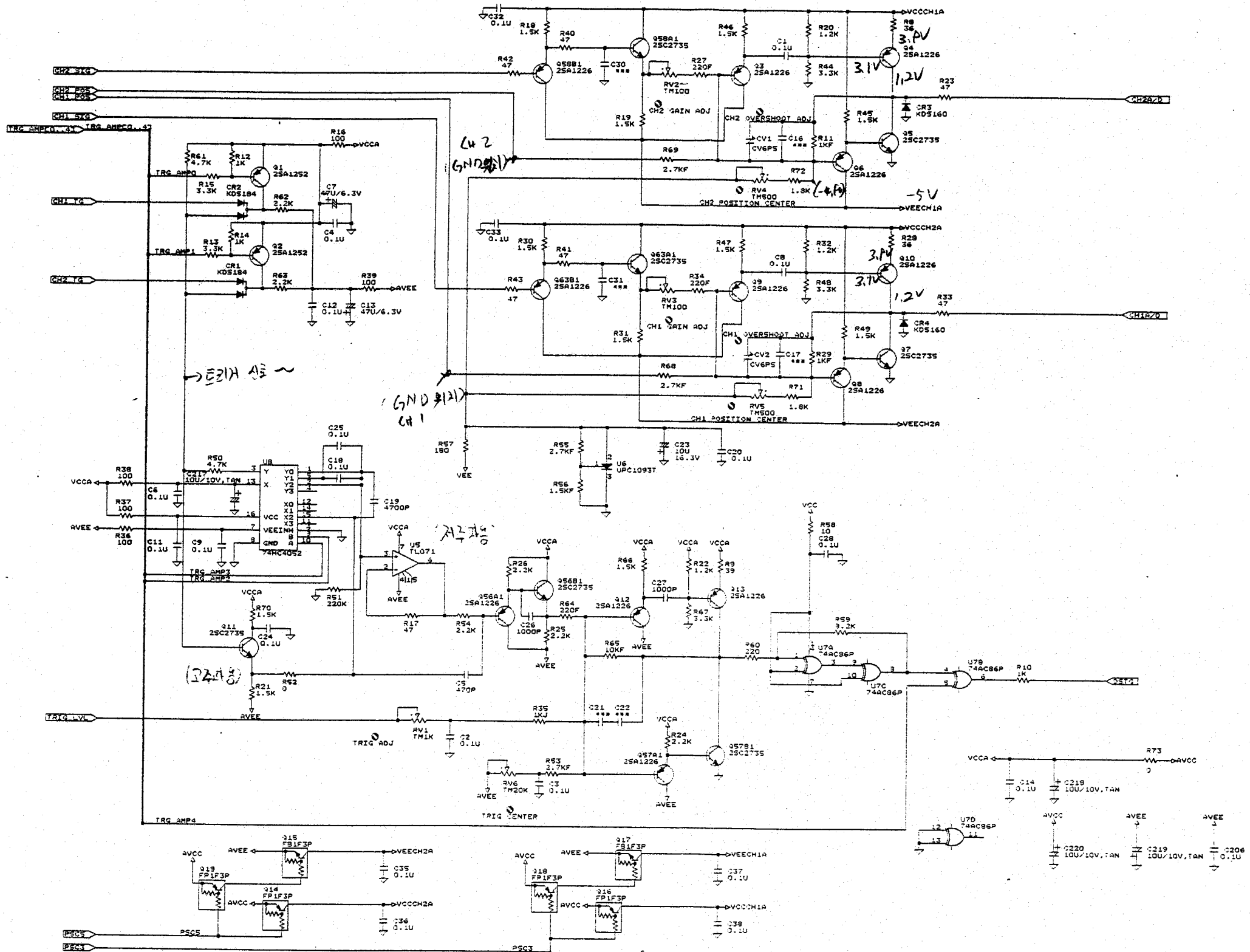
V<sub>120</sub>



Title	CH2 PRE...	REV	3
Size Document	TRD	Date:	July 1990

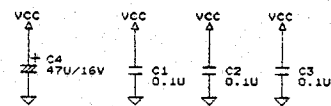
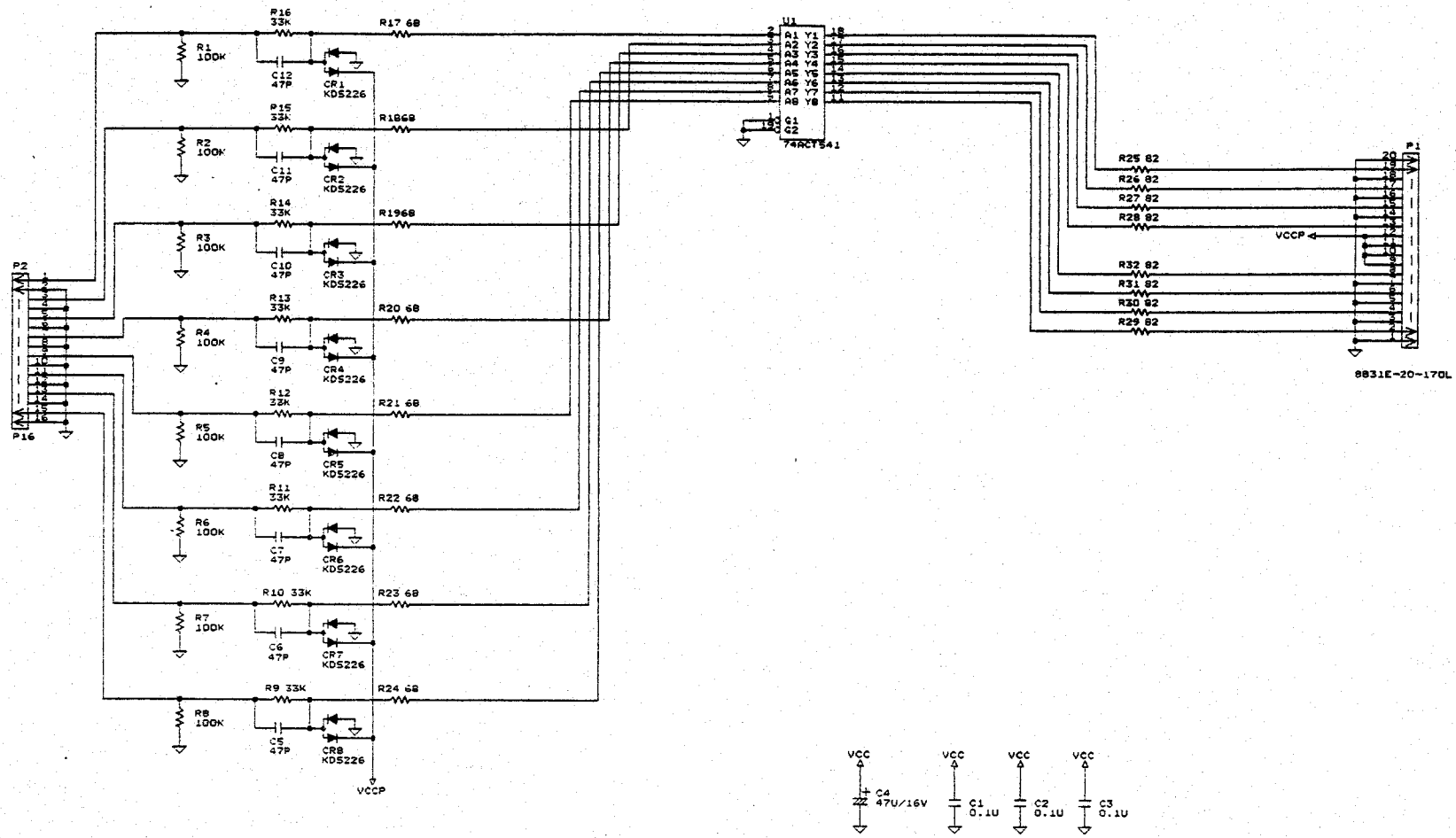
Amp CH 2 SCOPE





METEX Instruments	
Title	MDS 20 1908.7.07
Size	2ND
Date	July 3, 1968

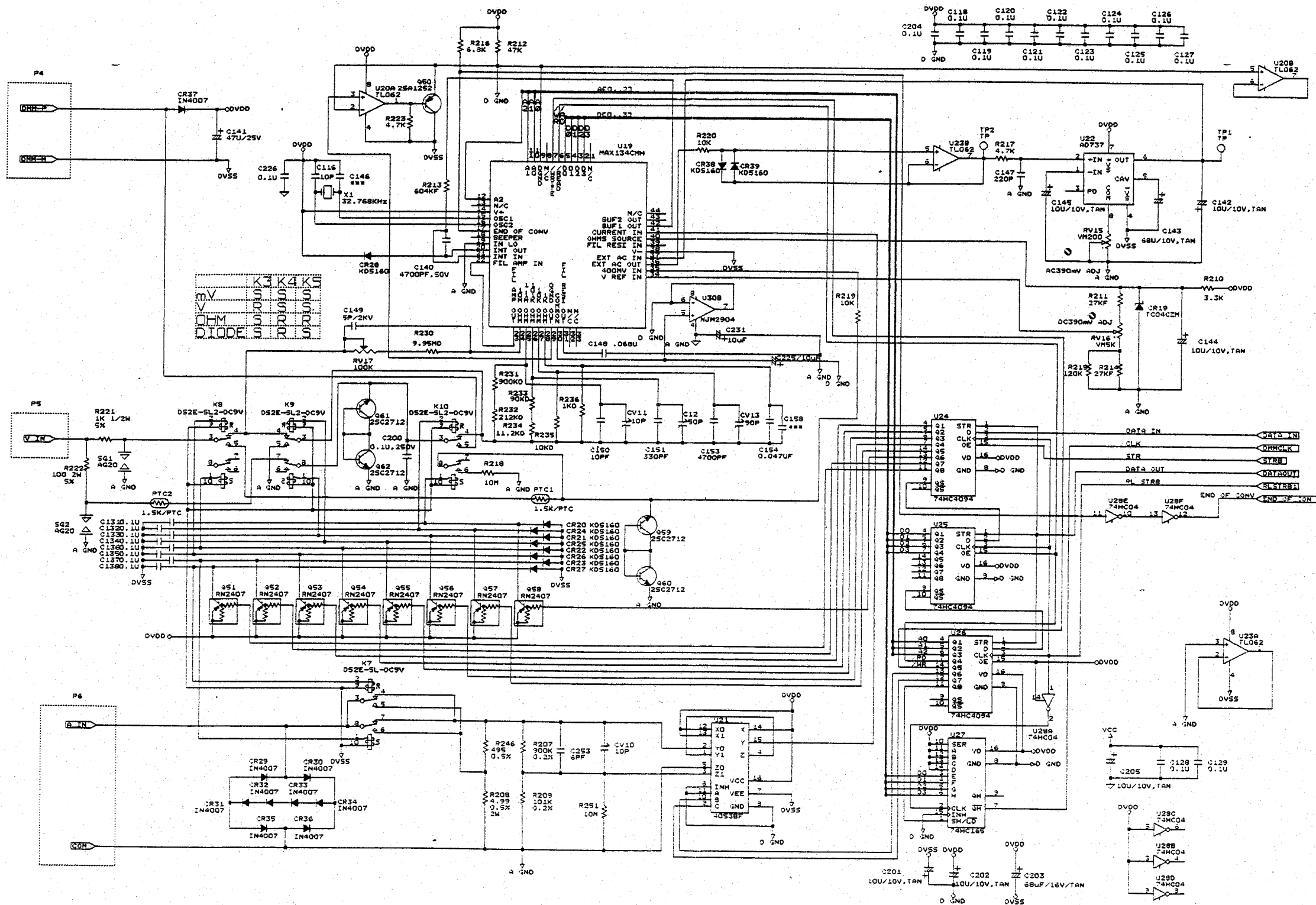
Analog Scope PART



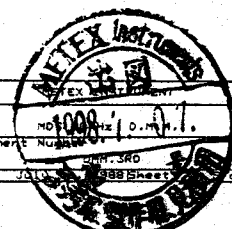
MELEX INSTRUMENTS  
 Title: MDS 2A... PROBE  
 Size: 3RD  
 Date: JUN 1988  
 Sheet: 15

1988

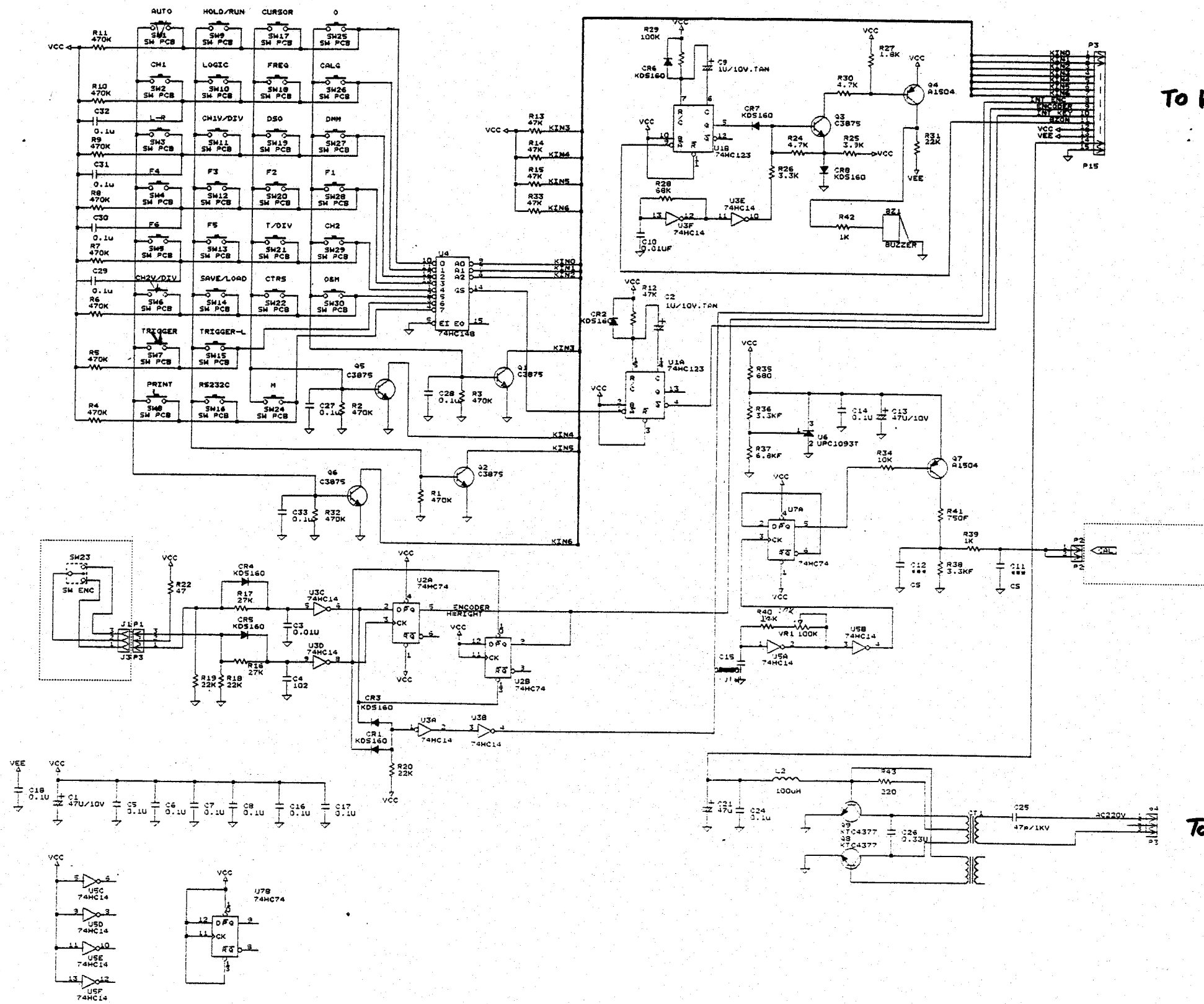
photo Coupler PARI



Title: NO. 008  
 Document Number: 10.11.1  
 Date: 10.11.11

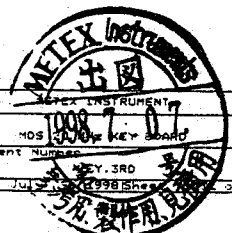


Analog DMM PART



To Key Board

To CCFL



Title	1008 Key Board	REV
Size	1008 Key Board	3
Date	July 1998	10

Key Board Part

