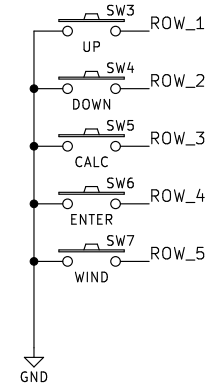
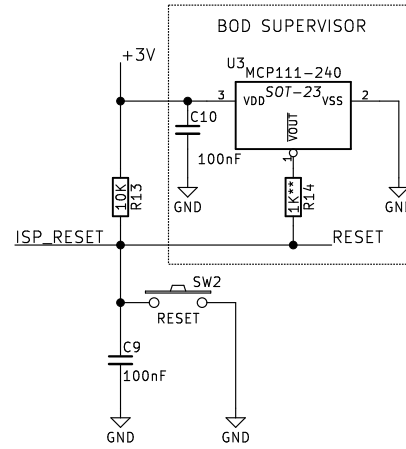
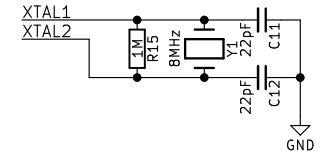
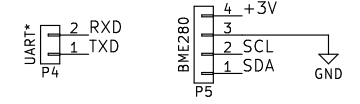
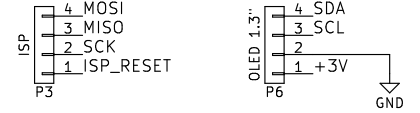
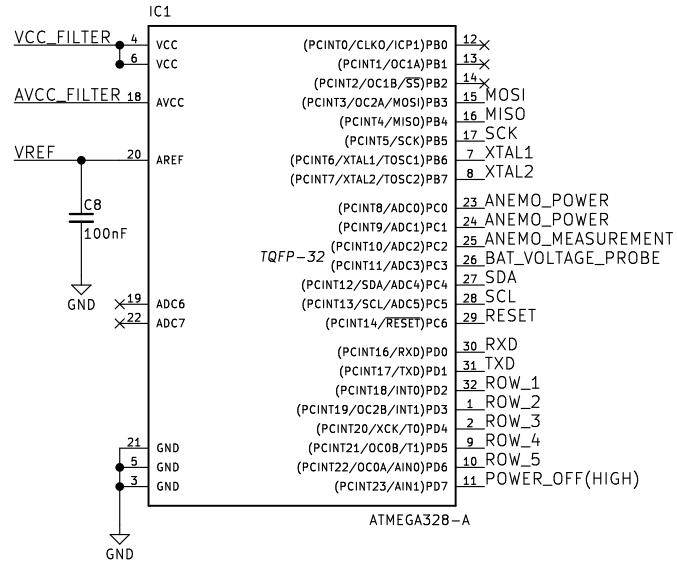
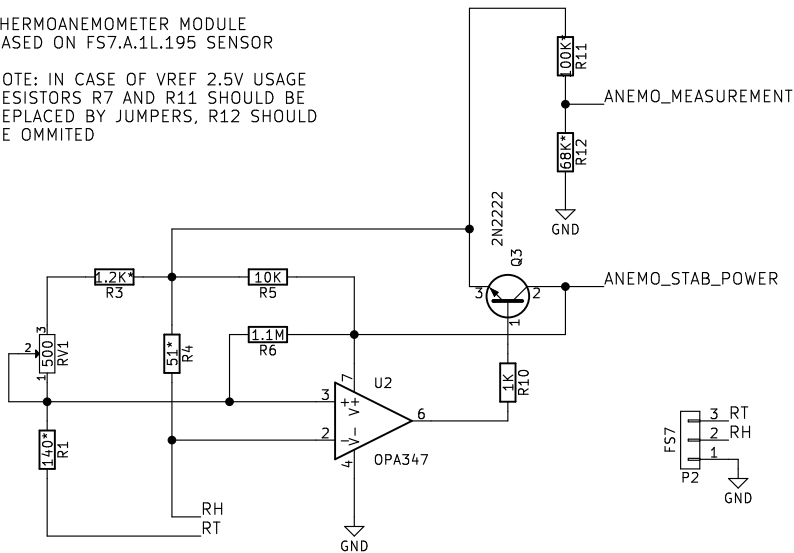


THERMOANEMOMETER MODULE
BASED ON FS7.A:1L.195 SENSOR

NOTE: IN CASE OF VREF 2.5V USAGE
RESISTORS R7 AND R11 SHOULD BE
REPLACED BY JUMPERS, R12 SHOULD
BE OMMITED



Sheet: /
File: Savic_Spartan.sch

Title:

Size: A4 Date:
KiCad E.D.A. kicad 4.0.4-stable

Rev:
Id: 1/1