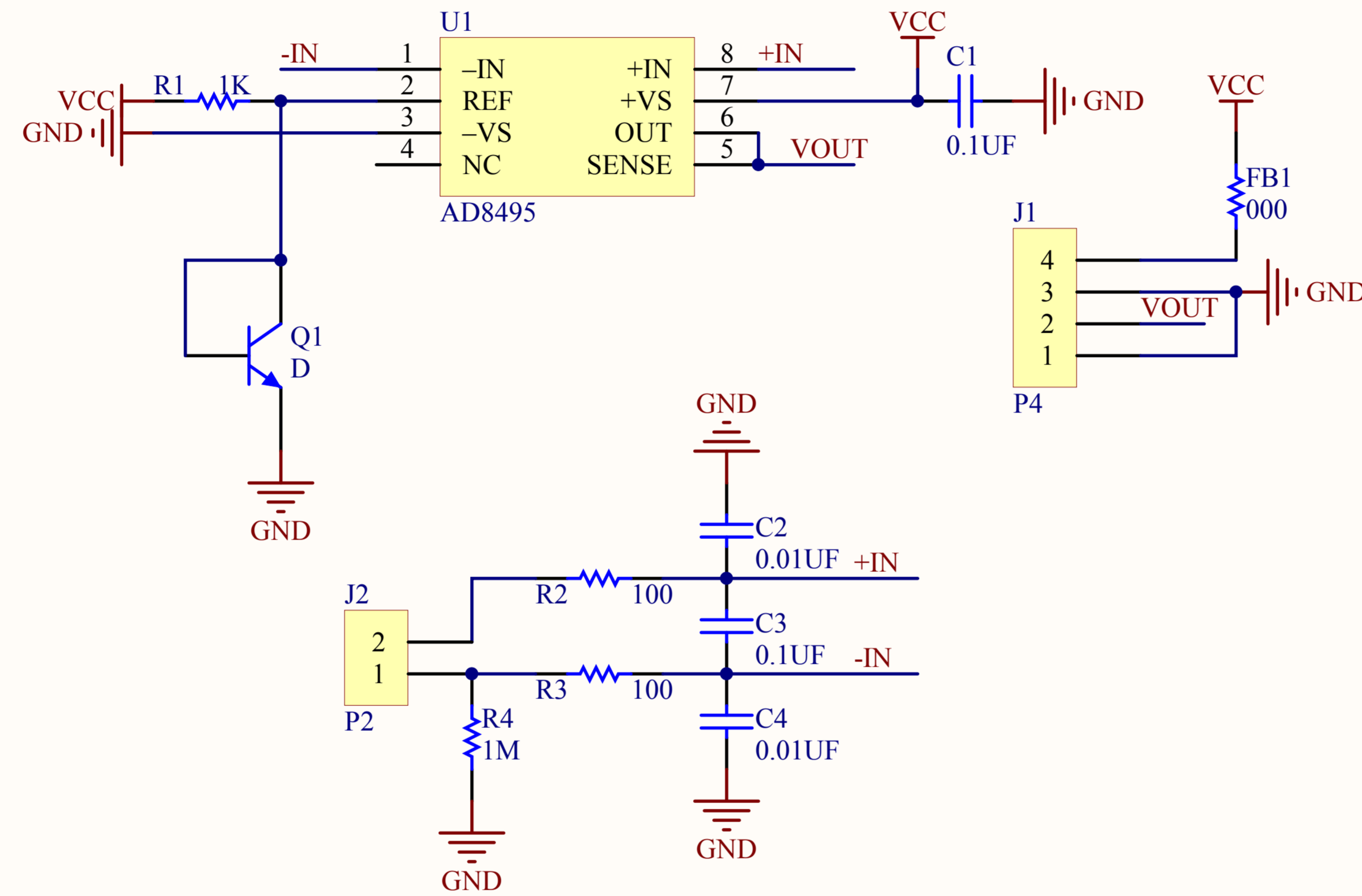


<http://cjmcu.taobao.com>

### CJMCU-8495



Title		
Size	Number	Revision
A4		
Date:	2015/5/12	Sheet of
File:	M:\ \.\CJMCU-8495.SCHDOC	Drawn By: