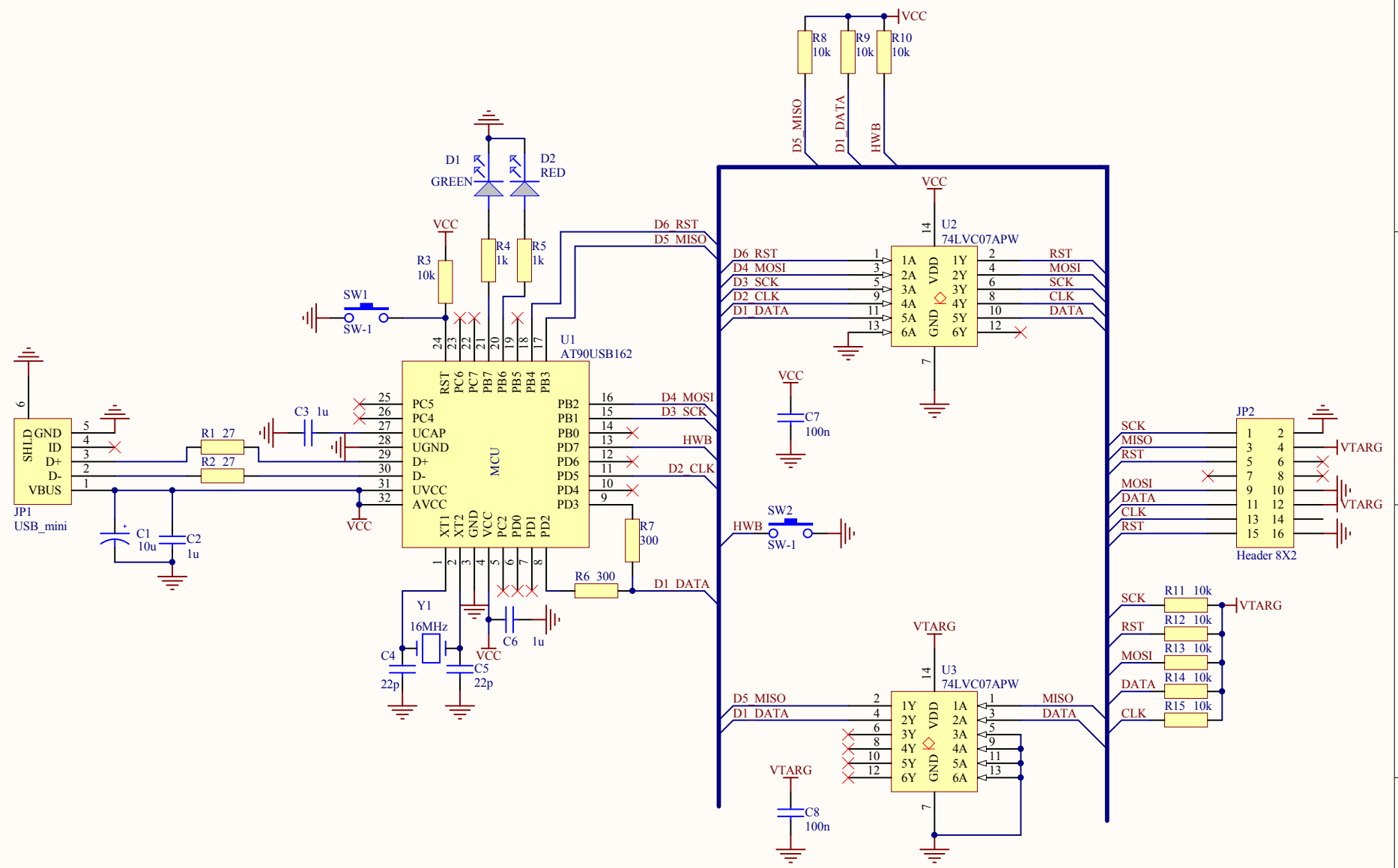


V40



Title		
Size	Number	Revision
A4		
Date:	18.04.2010	Sheet of
File:	D:\projects\...\ISPMPKII.SchDoc	Drawn By:

Comment	Description	Designator	Footprint	LibRef	Quantity
10u		C1	TANTAL-A	C-EL-TAN	1
1u		C2, C3, C6	C-0603	C	3
22p		C4, C5	C-0603	C	2
100n		C7, C8	C-0603	C	2
GREEN		D1	LED-DIP-1	LED	1
RED		D2	LED-DIP-1	LED	1
USB_mini		JP1	miniUSBsmd	USB_mini	1
Header 8X2	Header, 8-Pin, Dual row	JP2	HDR2X8	Header 8X2	1
27		R1, R2	R-0603	R	2
10k		R3, R8, R9, R10, R11, R12, R13, R14, R15	R-0603	R	9
1k		R4, R5	R-0603	R	2
300		R6, R7	R-0603	R	2
SW-1		SW1, SW2	mini_button	SW-1	2
AT90USB162	USB MCU	U1	QFP32	AT90USB162	1
74LVC07APW		U2, U3	SSOP14	74LVC07	2
16MHz		Y1	ATS-25(49-51)	Y	1