



Website:<http://biz.LGservice.com>  
E-mail:<http://www.LGService.com/techsup.html>

# COLOR MONITOR SERVICE MANUAL

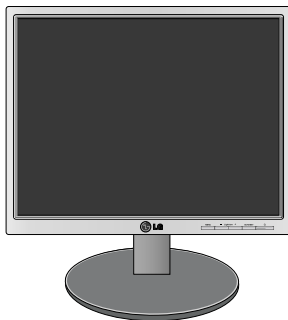
CHASSIS NO. : CL-82

MODEL: FLATRON L1750SQ-SN (L1750SQ-SNN.AN\*\*QP)  
FLATRON L1750SQ-BN (L1750SQ-BNN.AN\*\*QP)  
FLATRON L1750SQ-WN (L1750SQ-WNN.AN\*\*QP)

( ) \*\*Same model for Service

## CAUTION

BEFORE SERVICING THE UNIT,  
READ THE **SAFETY PRECAUTIONS** IN THIS MANUAL.



\*To apply the **MSTAR Chip**.

**Blank Page1**

# CONTENTS

|                                   |    |                              |    |
|-----------------------------------|----|------------------------------|----|
| SPECIFICATIONS .....              | 2  | SERVICE OSD .....            | 13 |
| PRECAUTIONS .....                 | 3  | TROUBLESHOOTING GUIDE .....  | 14 |
| TIMING CHART .....                | 7  | WIRING DIAGRAM .....         | 18 |
| DISASSEMBLY .....                 | 8  | EXPLODED VIEW.....           | 19 |
| BLOCK DIAGRAM .....               | 9  | REPLACEMENT PARTS LIST ..... | 21 |
| DESCRIPTION OF BLOCK DIAGRAM..... | 10 | SCHEMATIC DIAGRAM.....       | 23 |
| ADJUSTMENT .....                  | 12 |                              |    |

## SPECIFICATIONS

### 1. LCD CHARACTERISTICS

Type : TFT Color LCD Module  
 Active Display Area : 17 inch  
 Size : 358.5(W) x 296.5(H) x 17.0(D)  
 Pixel Pitch : 0.264 (H) x 0.264 (V)  
 Color Depth : 16.2M colors  
 Electrical Interface : LVDS  
 Surface Treatment : Hard-coating(3H), Anti-Glare  
 Operating Mode : Normally White, Transmissive mode  
 Backlight Unit : 4-CCFL

### 2. OPTICAL CHARACTERISTICS

2-1. Viewing Angle by Contrast Ratio  $\geq 10$   
  
 Left : -60°min., -70°(Typ) Right : +60°min., +70°(Typ)  
 Top : +45°min., +60°(Typ) Bottom : -50°min., -60°(Typ)

2-2. Luminance : 185(min), 250(Typ)

2-3. Contrast Ratio : 300(min), 450(Typ)

### 3. SIGNAL (Refer to the Timing Chart)

3-1. Sync Signal  
 • Type : Separate Sync, SOG, composite.

3-2. Video Input Signal  
 1) Type : R, G, B Analog  
 2) Voltage Level : 0~0.71 V  
     a) Color 0, 0 : 0 Vp-p  
     b) Color 7, 0 : 0.467 Vp-p  
     c) Color 15, 0 : 0.714 Vp-p  
 3) Input Impedance : 75  $\Omega$

3-3. Operating Frequency  
 Horizontal : 30 ~ 83kHz  
 Vertical : 56 ~ 75Hz

### 4. Max. Resolution

D-sub Analog : 1280 x 1024@75Hz

### 5. POWER SUPPLY

5-1. Power : AC 100~240V, 50/60Hz, 1.0A

#### 5-2. Power Consumption

| MODE              | H/V SYNC | VIDEO  | POWER CONSUMPTION | LED COLOR |
|-------------------|----------|--------|-------------------|-----------|
| POWER ON (NORMAL) | ON/ON    | ACTIVE | less than 35 W    | GREEN     |
| STAND-BY          | OFF/ON   | OFF    | less than 1 W     | AMBER     |
| SUSPEND           | ON/OFF   | OFF    | less than 1 W     | AMBER     |
| DPMS OFF          | OFF/OFF  | OFF    | less than 1 W     | AMBER     |

### 6. ENVIRONMENT

6-1. Operating Temperature : 10°C~35°C  
 6-2. Relative Humidity : 10%~80%  
 6-3. MTBF : 50,000 HRS with 90% Confidence level  
         Lamp Life : 50,000 Hours(Min)

### 7. DIMENSIONS (with TILT/SWIVEL)

Width : 368 mm (14.49")  
 Depth : 230.5 mm (9.07")  
 Height : 389.2 mm (15.32")

### 8. WEIGHT (with TILT/SWIVEL)

Net. Weight : 4.9 kg (10.80 lbs)  
 Gross Weight : 6.5 kg (14.33 lbs)

## PRECAUTION

### WARNING FOR THE SAFETY-RELATED COMPONENT.

- There are some special components used in LCD monitor that are important for safety. **These parts are marked  $\triangle$  on the schematic diagram and the replacement parts list.** It is essential that these critical parts should be replaced with the manufacturer's specified parts to prevent electric shock, fire or other hazard.
- Do not modify original design without obtaining written permission from manufacturer or you will void the original parts and labor guarantee.

### TAKE CARE DURING HANDLING THE LCD MODULE WITH BACKLIGHT UNIT.

- Must mount the module using mounting holes arranged in four corners.
- Do not press on the panel, edge of the frame strongly or electric shock as this will result in damage to the screen.
- Do not scratch or press on the panel with any sharp objects, such as pencil or pen as this may result in damage to the panel.
- Protect the module from the ESD as it may damage the electronic circuit (C-MOS).
- Make certain that treatment person's body are grounded through wrist band.
- Do not leave the module in high temperature and in areas of high humidity for a long time.
- The module not be exposed to the direct sunlight.
- Avoid contact with water as it may a short circuit within the module.
- If the surface of panel become dirty, please wipe it off with a softmaterial. (Cleaning with a dirty or rough cloth may damage the panel.)

### $\triangle$ CAUTION

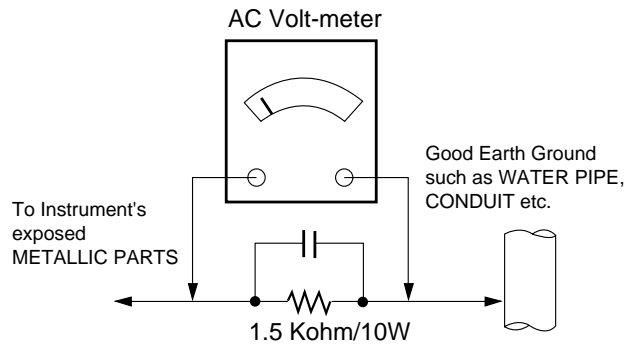
Please use only a plastic screwdriver to protect yourself from shock hazard during service operation.

### $\triangle$ WARNING

BE CAREFUL ELECTRIC SHOCK !

- If you want to replace with the new backlight (CCFL) or inverter circuit, must disconnect the AC adapter because high voltage appears at inverter circuit about 650Vrms.
- Handle with care wires or connectors of the inverter circuit. If the wires are pressed cause short and may burn or take fire.

### Leakage Current Hot Check Circuit



# SERVICING PRECAUTIONS

**CAUTION:** Before servicing receivers covered by this service manual and its supplements and addenda, read and follow the **SAFETY PRECAUTIONS** on page 3 of this publication.

**NOTE:** If unforeseen circumstances create conflict between the following servicing precautions and any of the safety precautions on page 3 of this publication, always follow the safety precautions. Remember: Safety First.

## General Servicing Precautions

1. Always unplug the receiver AC power cord from the AC power source before;
  - a. Removing or reinstalling any component, circuit board module or any other receiver assembly.
  - b. Disconnecting or reconnecting any receiver electrical plug or other electrical connection.
  - c. Connecting a test substitute in parallel with an electrolytic capacitor in the receiver.

**CAUTION:** A wrong part substitution or incorrect polarity installation of electrolytic capacitors may result in an explosion hazard.

- d. Discharging the picture tube anode.
2. Test high voltage only by measuring it with an appropriate high voltage meter or other voltage measuring device (DVM, FETVOM, etc) equipped with a suitable high voltage probe.  
Do not test high voltage by "drawing an arc".
  3. Discharge the picture tube anode only by (a) first connecting one end of an insulated clip lead to the degaussing or kine aquadag grounding system shield at the point where the picture tube socket ground lead is connected, and then (b) touch the other end of the insulated clip lead to the picture tube anode button, using an insulating handle to avoid personal contact with high voltage.
  4. Do not spray chemicals on or near this receiver or any of its assemblies.
  5. Unless specified otherwise in this service manual, clean electrical contacts only by applying the following mixture to the contacts with a pipe cleaner, cotton-tipped stick or comparable non-abrasive applicator; 10% (by volume) Acetone and 90% (by volume) isopropyl alcohol (90%-99% strength)

**CAUTION:** This is a flammable mixture.

Unless specified otherwise in this service manual, lubrication of contacts is not required.

6. Do not defeat any plug/socket B+ voltage interlocks with which receivers covered by this service manual might be equipped.
7. Do not apply AC power to this instrument and/or any of its electrical assemblies unless all solid-state device heat sinks are correctly installed.
8. Always connect the test receiver ground lead to the receiver chassis ground before connecting the test receiver positive lead.  
Always remove the test receiver ground lead last.

9. Use with this receiver only the test fixtures specified in this service manual.

**CAUTION:** Do not connect the test fixture ground strap to any heat sink in this receiver.

## Electrostatically Sensitive (ES) Devices

Some semiconductor (solid-state) devices can be damaged easily by static electricity. Such components commonly are called *Electrostatically Sensitive (ES) Devices*. Examples of typical ES devices are integrated circuits and some field-effect transistors and semiconductor "chip" components. The following techniques should be used to help reduce the incidence of component damage caused by static by static electricity.

1. Immediately before handling any semiconductor component or semiconductor-equipped assembly, drain off any electrostatic charge on your body by touching a known earth ground. Alternatively, obtain and wear a commercially available discharging wrist strap device, which should be removed to prevent potential shock reasons prior to applying power to the unit under test.
2. After removing an electrical assembly equipped with ES devices, place the assembly on a conductive surface such as aluminum foil, to prevent electrostatic charge buildup or exposure of the assembly.
3. Use only a grounded-tip soldering iron to solder or unsolder ES devices.
4. Use only an anti-static type solder removal device. Some solder removal devices not classified as "anti-static" can generate electrical charges sufficient to damage ES devices.
5. Do not use freon-propelled chemicals. These can generate electrical charges sufficient to damage ES devices.
6. Do not remove a replacement ES device from its protective package until immediately before you are ready to install it. (Most replacement ES devices are packaged with leads electrically shorted together by conductive foam, aluminum foil or comparable conductive material).
7. Immediately before removing the protective material from the leads of a replacement ES device, touch the protective material to the chassis or circuit assembly into which the device will be installed.  
**CAUTION:** Be sure no power is applied to the chassis or circuit, and observe all other safety precautions.
8. Minimize bodily motions when handling unpackaged replacement ES devices. (Otherwise harmless motion such as the brushing together of your clothes fabric or the lifting of your foot from a carpeted floor can generate static electricity sufficient to damage an ES device.)

### General Soldering Guidelines

1. Use a grounded-tip, low-wattage soldering iron and appropriate tip size and shape that will maintain tip temperature within the range of 500° F to 600° F.
2. Use an appropriate gauge of RMA resin-core solder composed of 60 parts tin/40 parts lead.
3. Keep the soldering iron tip clean and well tinned.
4. Thoroughly clean the surfaces to be soldered. Use a small wire-bristle (0.5 inch, or 1.25cm) brush with a metal handle.

Do not use freon-propelled spray-on cleaners.

5. Use the following unsoldering technique
  - a. Allow the soldering iron tip to reach normal temperature.  
(500° F to 600° F)
  - b. Heat the component lead until the solder melts.
  - c. Quickly draw the melted solder with an anti-static, suction-type solder removal device or with solder braid.
6. Use the following soldering technique.
  - a. Allow the soldering iron tip to reach a normal temperature (500° F to 600° F)
  - b. First, hold the soldering iron tip and solder the strand against the component lead until the solder melts.

- c. Quickly move the soldering iron tip to the junction of the component lead and the printed circuit foil, and hold it there only until the solder flows onto and around both the component lead and the foil.

**CAUTION:** Work quickly to avoid overheating the circuit board printed foil.

- d. Closely inspect the solder area and remove any excess or splashed solder with a small wire-bristle brush.

### IC Remove/Replacement

Some chassis circuit boards have slotted holes (oblong) through which the IC leads are inserted and then bent flat against the circuit foil. When holes are the slotted type, the following technique should be used to remove and replace the IC. When working with boards using the familiar round hole, use the standard technique as outlined in paragraphs 5 and 6 above.

#### Removal

1. Desolder and straighten each IC lead in one operation by gently prying up on the lead with the soldering iron tip as the solder melts.
2. Draw away the melted solder with an anti-static suction-type solder removal device (or with solder braid) before removing the IC.

### Replacement

1. Carefully insert the replacement IC in the circuit board.
2. Carefully bend each IC lead against the circuit foil pad and solder it.
3. Clean the soldered areas with a small wire-bristle brush. (It is not necessary to reapply acrylic coating to the areas).

### "Small-Signal" Discrete Transistor

#### Removal/Replacement

1. Remove the defective transistor by clipping its leads as close as possible to the component body.
2. Bend into a "U" shape the end of each of three leads remaining on the circuit board.
3. Bend into a "U" shape the replacement transistor leads.
4. Connect the replacement transistor leads to the corresponding leads extending from the circuit board and crimp the "U" with long nose pliers to insure metal to metal contact then solder each connection.

### Power Output, Transistor Device

#### Removal/Replacement

1. Heat and remove all solder from around the transistor leads.
2. Remove the heat sink mounting screw (if so equipped).
3. Carefully remove the transistor from the heat sink of the circuit board.
4. Insert new transistor in the circuit board.
5. Solder each transistor lead, and clip off excess lead.
6. Replace heat sink.

### Diode Removal/Replacement

1. Remove defective diode by clipping its leads as close as possible to diode body.
2. Bend the two remaining leads perpendicular y to the circuit board.
3. Observing diode polarity, wrap each lead of the new diode around the corresponding lead on the circuit board.
4. Securely crimp each connection and solder it.
5. Inspect (on the circuit board copper side) the solder joints of the two "original" leads. If they are not shiny, reheat them and if necessary, apply additional solder.

### Fuse and Conventional Resistor

#### Removal/Replacement

1. Clip each fuse or resistor lead at top of the circuit board hollow stake.
2. Securely crimp the leads of replacement component around notch at stake top.
3. Solder the connections.

**CAUTION:** Maintain original spacing between the replaced component and adjacent components and the circuit board to prevent excessive component temperatures.

### **Circuit Board Foil Repair**

Excessive heat applied to the copper foil of any printed circuit board will weaken the adhesive that bonds the foil to the circuit board causing the foil to separate from or "lift-off" the board. The following guidelines and procedures should be followed whenever this condition is encountered.

#### ***At IC Connections***

To repair a defective copper pattern at IC connections use the following procedure to install a jumper wire on the copper pattern side of the circuit board. (Use this technique only on IC connections).

1. Carefully remove the damaged copper pattern with a sharp knife. (Remove only as much copper as absolutely necessary).
2. Carefully scratch away the solder resist and acrylic coating (if used) from the end of the remaining copper pattern.
3. Bend a small "U" in one end of a small gauge jumper wire and carefully crimp it around the IC pin. Solder the IC connection.
4. Route the jumper wire along the path of the out-away copper pattern and let it overlap the previously scraped end of the good copper pattern. Solder the overlapped area and clip off any excess jumper wire.

#### ***At Other Connections***

Use the following technique to repair the defective copper pattern at connections other than IC Pins. This technique involves the installation of a jumper wire on the component side of the circuit board.

1. Remove the defective copper pattern with a sharp knife.

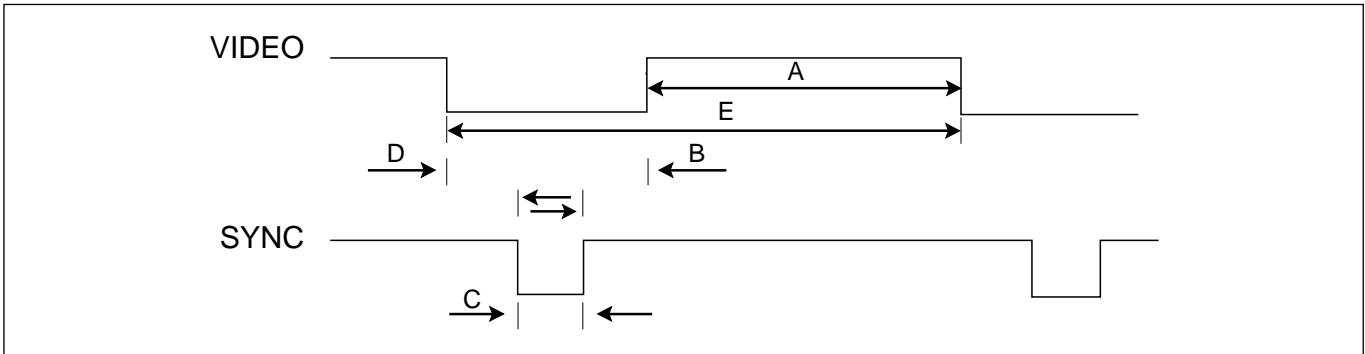
Remove at least 1/4 inch of copper, to ensure that a hazardous condition will not exist if the jumper wire opens.

2. Trace along the copper pattern from both sides of the pattern break and locate the nearest component that is directly connected to the affected copper pattern.
3. Connect insulated 20-gauge jumper wire from the lead of the nearest component on one side of the pattern break to the lead of the nearest component on the other side.

Carefully crimp and solder the connections.

**CAUTION:** Be sure the insulated jumper wire is dressed so the it does not touch components or sharp edges.

## TIMING CHART

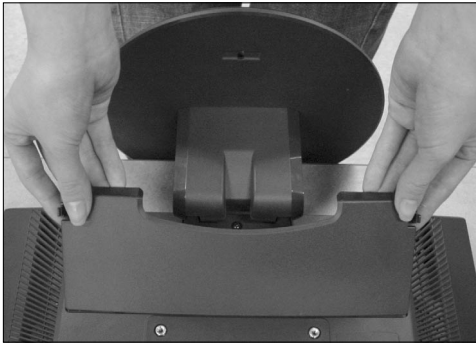


<< Dot Clock (MHz), Horizontal Frequency (kHz), Vertical Frequency (Hz), Horizontal etc... (μs), Vertical etc... (ms) >>

| MODE | Section   | Polarity | Dot Clock | Frequency | Total Period (E) | Display (A) | Front Porch (D) | Sync. (C) | Back Porch (B) | Resolution  |
|------|-----------|----------|-----------|-----------|------------------|-------------|-----------------|-----------|----------------|-------------|
| 1    | H(Pixels) | +        | 25.175    | 31.469    | 800              | 640         | 16              | 96        | 48             | 640 x 350   |
|      | V(Lines)  | -        |           | 70.09     | 449              | 350         | 37              | 2         | 60             |             |
| 2    | H(Pixels) | -        | 28.321    | 31.468    | 900              | 720         | 18              | 108       | 54             | 720 X 400   |
|      | V(Lines)  | +        |           | 70.08     | 449              | 400         | 12              | 2         | 35             |             |
| 3    | H(Pixels) | -        | 25.175    | 31.469    | 800              | 640         | 16              | 96        | 48             | 640 x 480   |
|      | V(Lines)  | -        |           | 59.94     | 525              | 480         | 10              | 2         | 33             |             |
| 4    | H(Pixels) | -        | 31.5      | 37.5      | 840              | 640         | 16              | 64        | 120            | 640 x 480   |
|      | V(Lines)  | -        |           | 75        | 500              | 480         | 1               | 3         | 16             |             |
| 5    | H(Pixels) | +        | 40.0      | 37.879    | 1056             | 800         | 40              | 128       | 88             | 800 x 600   |
|      | V(Lines)  | +        |           | 60.317    | 628              | 600         | 1               | 4         | 23             |             |
| 6    | H(Pixels) | +        | 49.5      | 46.875    | 1056             | 800         | 16              | 80        | 160            | 800 x 600   |
|      | V(Lines)  | +        |           | 75.0      | 625              | 600         | 1               | 3         | 21             |             |
| 7    | H(Pixels) | +/-      | 57.283    | 49.725    | 1152             | 832         | 32              | 64        | 224            | 832 x 624   |
|      | V(Lines)  | +/-      |           | 74.55     | 667              | 624         | 1               | 3         | 39             |             |
| 8    | H(Pixels) | -        | 65.0      | 48.363    | 1344             | 1024        | 24              | 136       | 160            | 1024 x 768  |
|      | V(Lines)  | -        |           | 60.0      | 806              | 768         | 3               | 6         | 29             |             |
| 9    | H(Pixels) | -        | 78.75     | 60.123    | 1312             | 1024        | 16              | 96        | 176            | 1024 x 768  |
|      | V(Lines)  | -        |           | 75.029    | 800              | 768         | 1               | 3         | 28             |             |
| 10   | H(Pixels) | +/-      | 100.0     | 68.681    | 1456             | 1152        | 32              | 128       | 144            | 1152 x 870  |
|      | V(Lines)  | +/-      |           | 75.062    | 915              | 870         | 3               | 3         | 39             |             |
| 11   | H(Pixels) | +/-      | 92.978    | 61.805    | 1504             | 1152        | 18              | 134       | 200            | 1152 x 900  |
|      | V(Lines)  | +/-      |           | 65.96     | 937              | 900         | 2               | 4         | 31             |             |
| 12   | H(Pixels) | +        | 108.0     | 63.981    | 1688             | 1280        | 48              | 112       | 248            | 1280 x 1024 |
|      | V(Lines)  | +        |           | 60.02     | 1066             | 1024        | 1               | 3         | 38             |             |
| 13   | H(Pixels) | +        | 135.0     | 79.976    | 1688             | 1280        | 16              | 144       | 248            | 1280 x 1024 |
|      | V(Lines)  | +        |           | 75.035    | 1066             | 1024        | 1               | 3         | 38             |             |

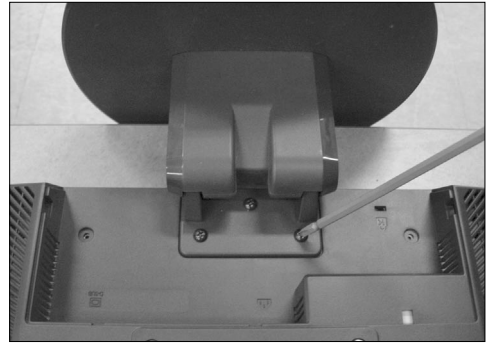
## DISASSEMBLY

# 1



Disassembly Hinge Cover.

# 2



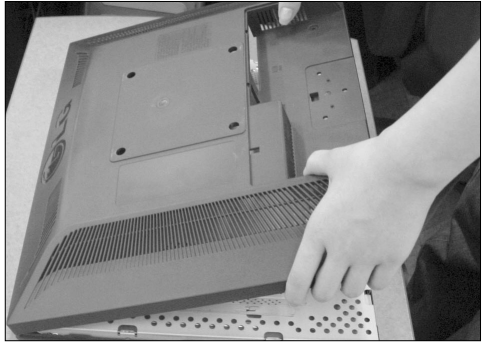
Remove the screws.

# 3



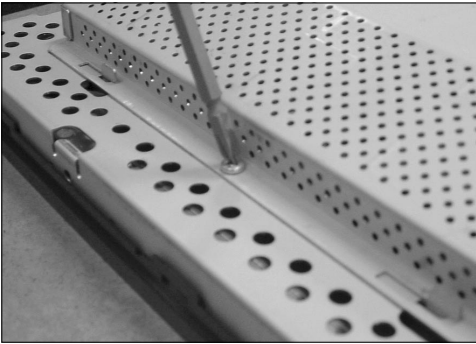
1. Pull the front cover upward.  
2. Then, let the all latches are separated.  
3. Put the front face down.

# 4



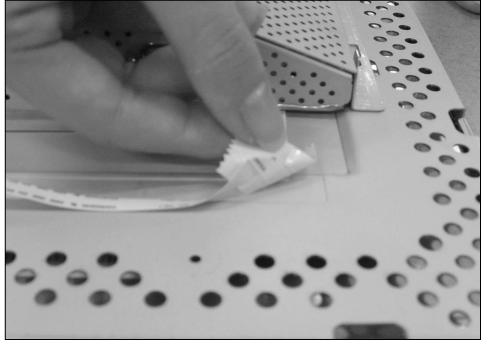
Disassemble back cover.

# 5



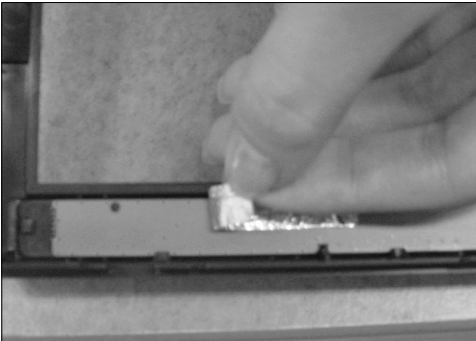
Remove the 6 screws from each up of metal frame.

# 6



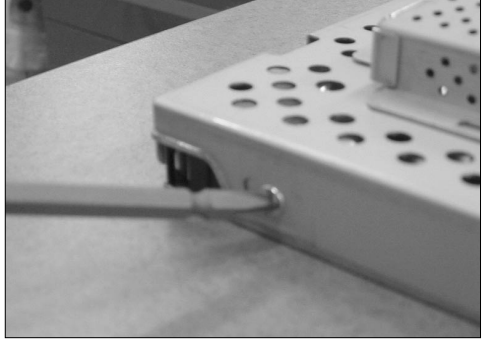
Pell off AI-tape from panel.

# 7



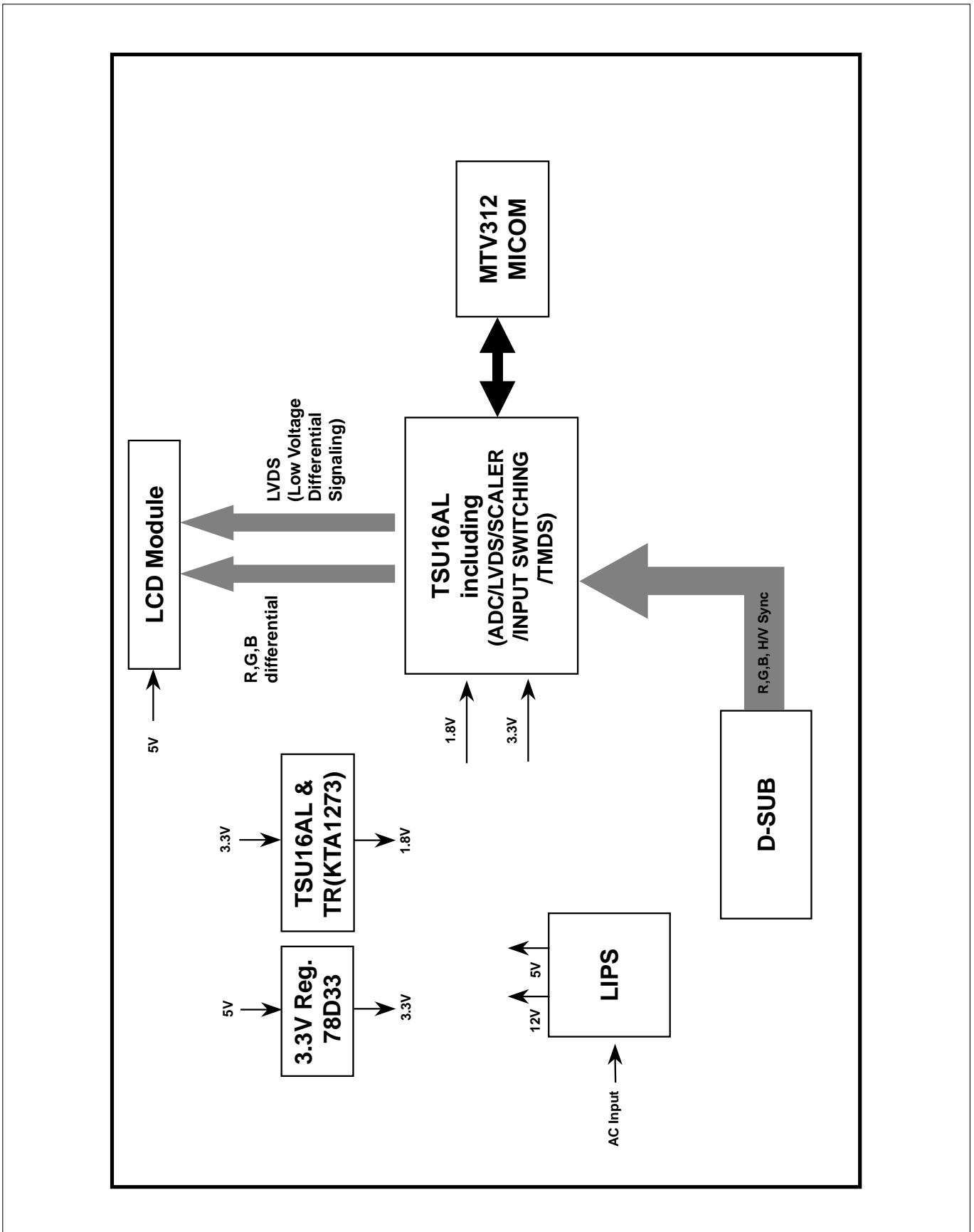
Remove AI-tape from control pcb fix.

# 8



Remove the 4 screws from each side of metal frame.

# BLOCK DIAGRAM



## DESCRIPTION OF BLOCK DIAGRAM

### 1. Video Controller Part.

This part amplifies the level of video signal for the digital conversion and converts from the analog video signal to the digital video signal using a pixel clock.

The pixel clock for each mode is generated by the PLL.

The range of the pixel clock is from 25MHz to 135MHz.

This part consists of the Scaler, ADC convertor and LVDS transmitter.

The Scaler gets the video signal converted analog to digital, interpolates input to 1280 X 1024 resolution signal and outputs 8-bit R, G, B signal to transmitter.

### 2. Power Part.

This part consists of the one 3.3V, and one 1.8V regulators to convert power which is provided 5V in Power board.

12V is provided for inverter, 12V is provided for LCD panel and 5V for micom.

Also, 5V is converted 3.3V and 1.8V by regulator. Converted power is provided for IC in the main board.

The inverter converts from DC12V to AC 700Vrms and operates back-light lamps of module.

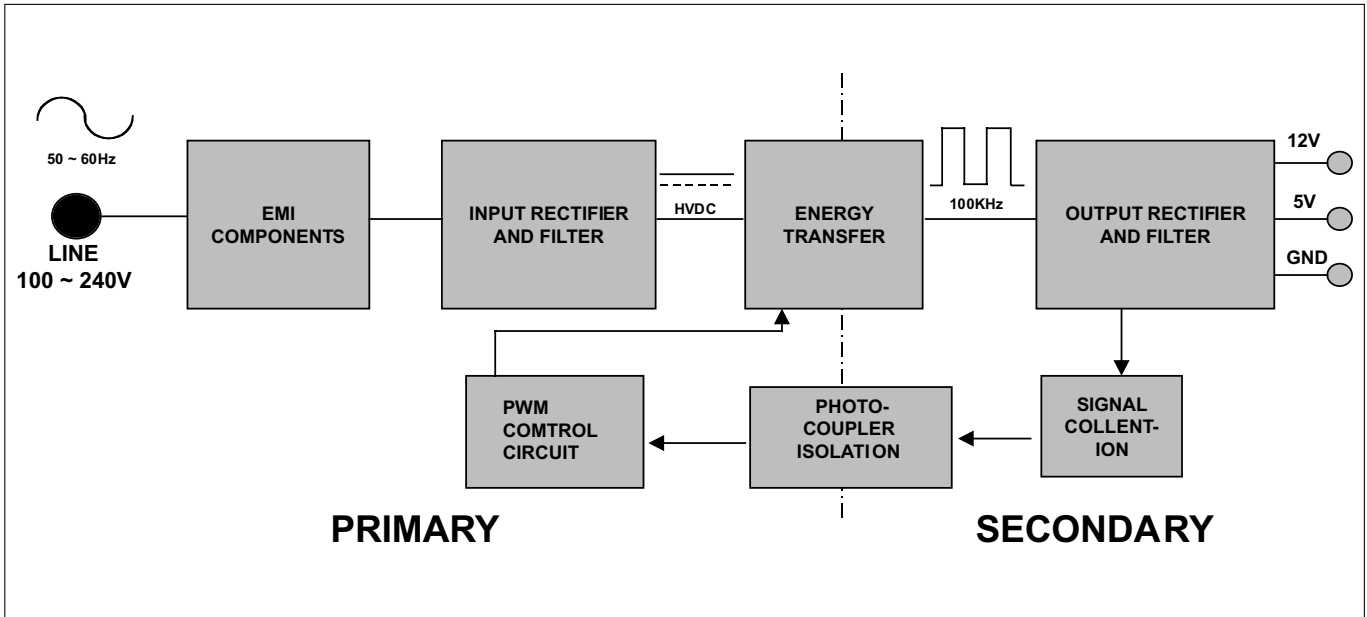
### 3. MICOM Part.

This part is include video controller part. And this part consists of EEPROM IC which stores control data, Reset IC and the Micom.

The Micom distinguishes polarity and frequency of the H/V sync are supplied from signal cable.

The controlled data of each modes is stored in EEPROM.

## LIPS Board Block Diagram



### Operation description\_LIPS

#### 1. EMI components.

This part contains of EMI components to comply with global marketing EMI standards like FCC, VCCI CISPR, the circuit included a line-filter, across line capacitor and of course the primary protection fuse.

#### 2. Input rectifier and filter.

This part function is for transfer the input AC voltage to a DC voltage through a bridge rectifier and a bulk capacitor.

#### 3. Energy Transfer.

This part function is transfer the primary energy to secondary through a power transformer.

#### 4. Output rectifier and filter.

This part function is to make a pulse width modulation control and to provide the driver signal to power switch, to adjust the duty cycle during different AC input and output loading condition to achive the dc output stabilize, and also the over power protection is also monitor by this part.

#### 5. Photo-Coupler isolation.

This part function is to feed back the dc output changing status through a photo transistor to primary controller to achieve the stabilized dc output voltage.

#### 6. Signal collection.

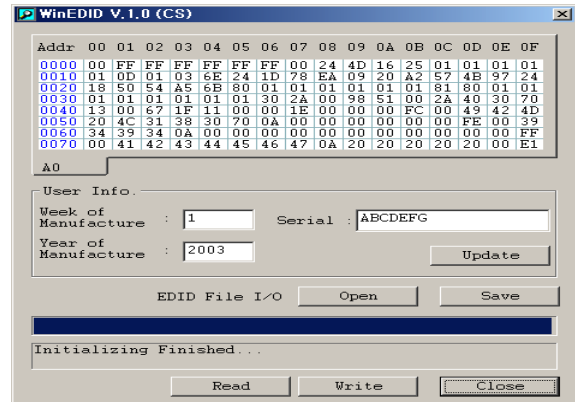
This part function is to collect the any change from the dc output and feed back to the primary through photo transistor.

# ADJUSTMENT

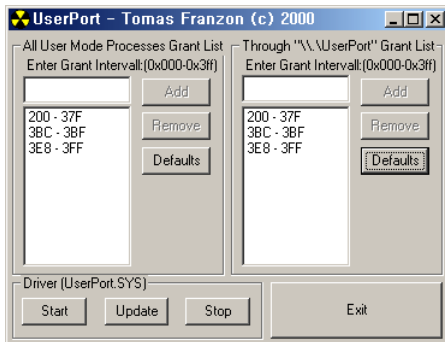
Windows EDID V1.0 User Manual

Operating System: MS Windows 98, 2000, XP  
 Port Setup: Windows 98 => Don't need setup  
 Windows 2000, XP => Need to Port Setup.  
 This program is available to LCD Monitor only.

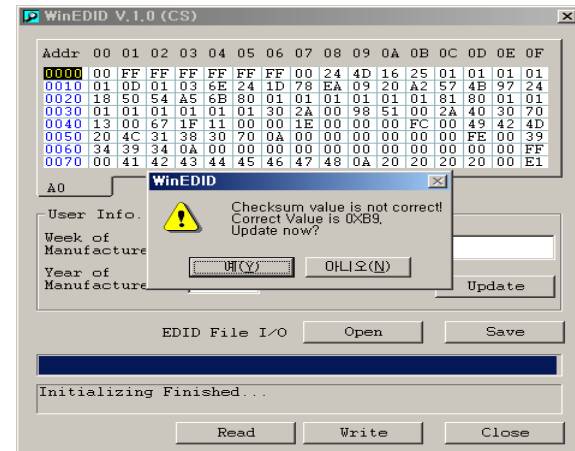
2. EDID Read & Write
  - 1) Run WinEDID.exe



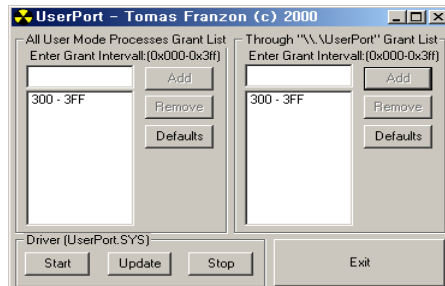
1. Port Setup
  - a) Copy "UserPort.sys" file to "c:\WINNT\system32\drivers" folder
  - b) Run Userport.exe



- 2) Edit Week of Manufacture, Year of Manufacture, Serial Number
  - a) Input User Info Data
  - b) Click "Update" button
  - c) Click "Write" button



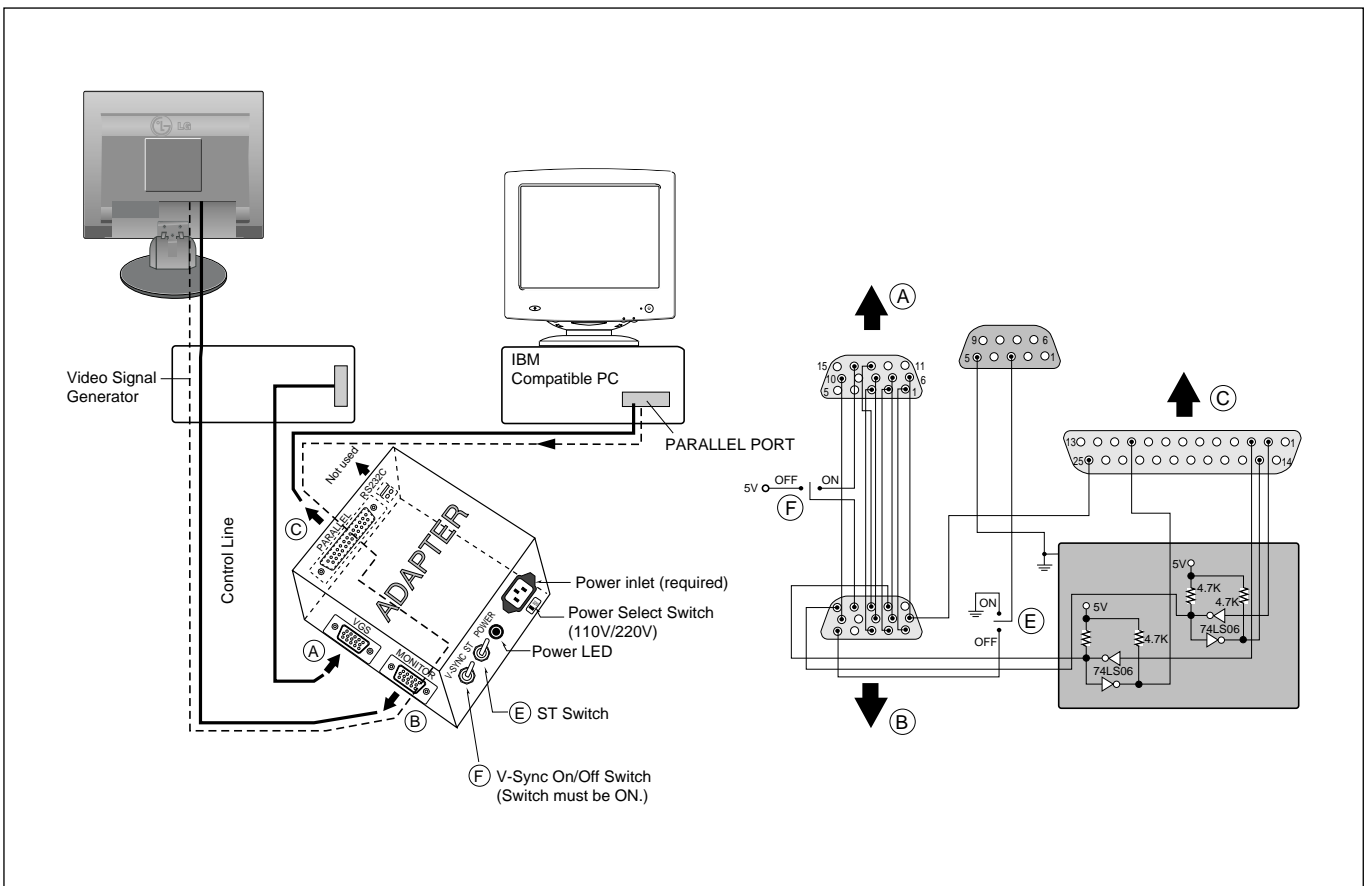
- c) Remove all default number
- d) Add 300-3FF



- e) Click Start button.
- f) Click Exit button.

## SERVICE OSD

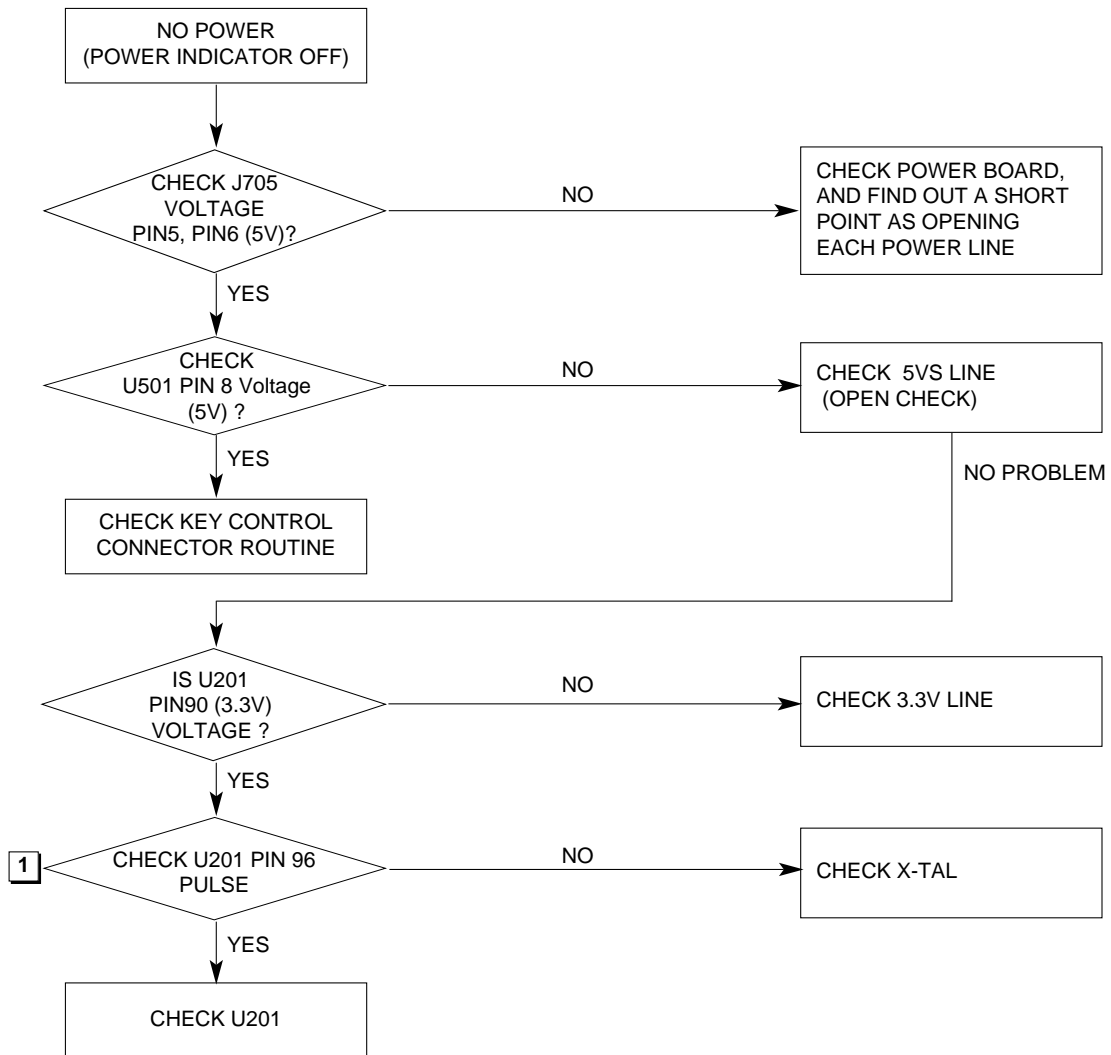
- 1) Turn off the power switch at the front side of the display.
- 2) Wait for about 5 seconds and press MENU, POWER switch with 1 second interval.
- 3) The SVC OSD menu contains additional menus that the User OSD menu as described below.
  - a) Auto Color : W/B balance and Automatically sets the gain and offset value.
  - b) NVRAM INIT : EEPROM initialize.(24C08)
  - c) CLEAR ETI : To initialize using time.
  - d) AGING : Select Aging mode(on/off).
  - e) R/G/B-9300K : Allows you to set the R/G/B-9300K value manually.
  - f) R/G/B-6500K : Allows you to set the R/G/B-6500K value manually.
  - g) R/G/B-Offset : Allows you to set the R/G/B-Offset value manually.(Analog Only)
  - h) R/G/B-Gain : Allows you to set the R/G/B-Gain value manually.(Analog Only)
  - i) MODULE : To select applied module.



**Figure 1. Cable Connection**

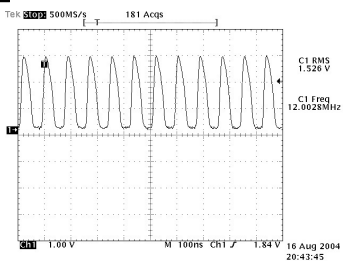
# TROUBLESHOOTING GUIDE

## 1. NO POWER

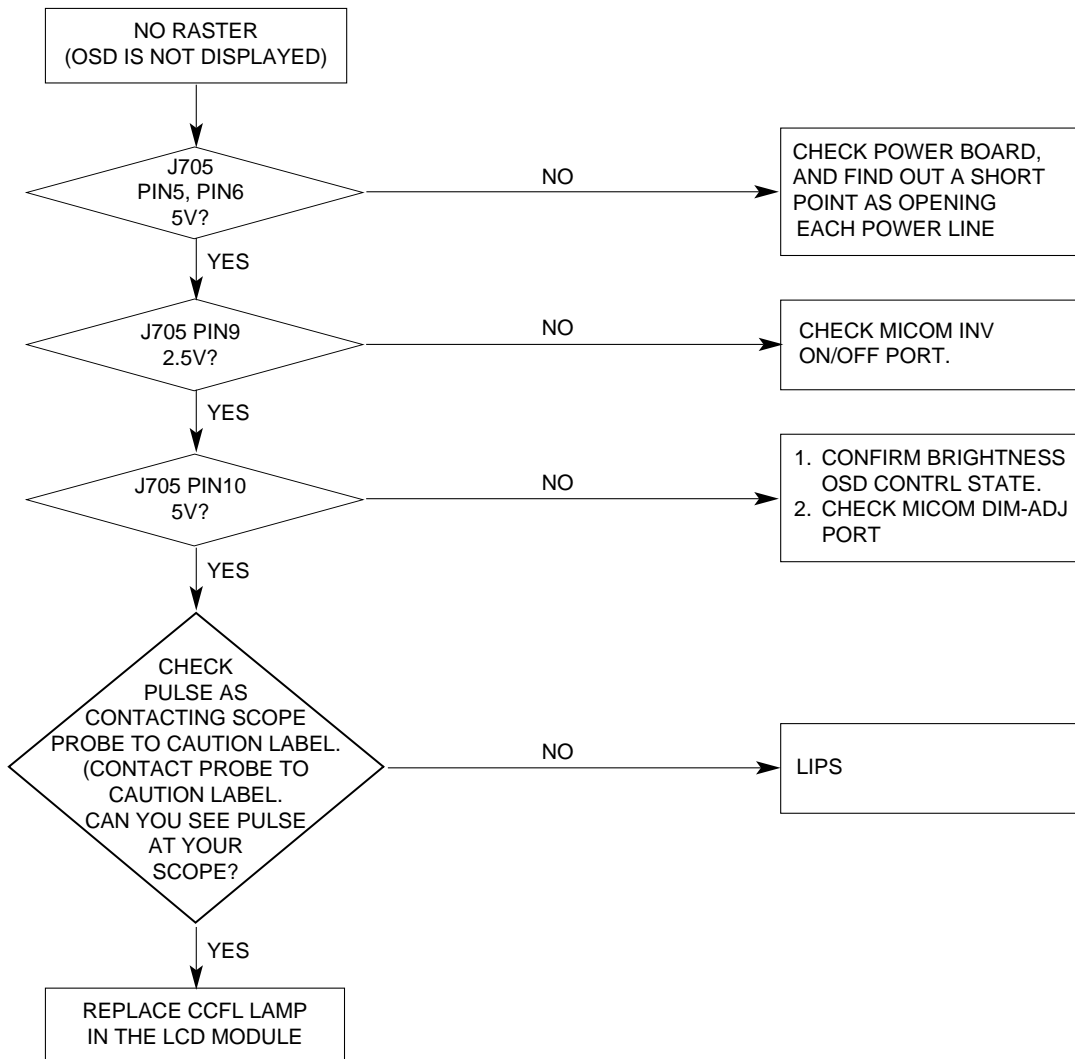


### Waveforms

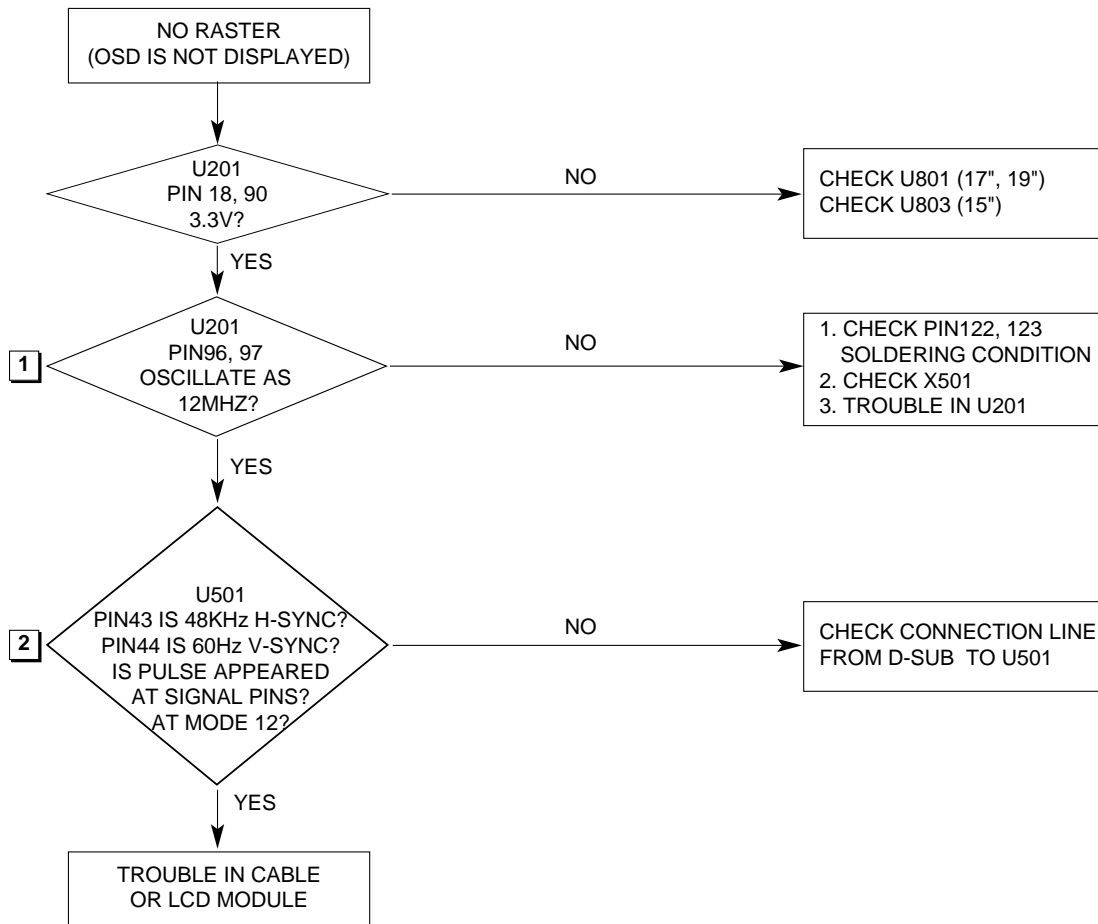
1 U201-#96



## 2. NO RASTER (OSD IS NOT DISPLAYED) – LIPS

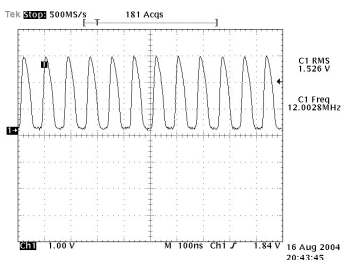


### 3. NO RASTER (OSD IS NOT DISPLAYED) – MSTAR

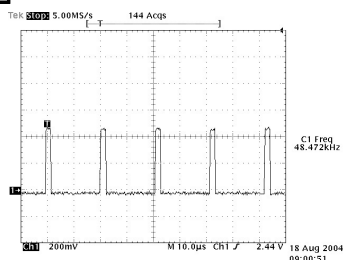


#### Waveforms

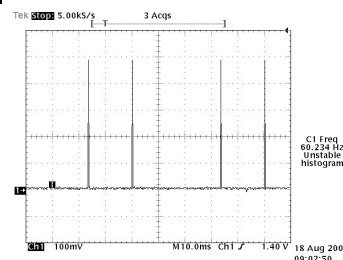
1 U201-#96, 97



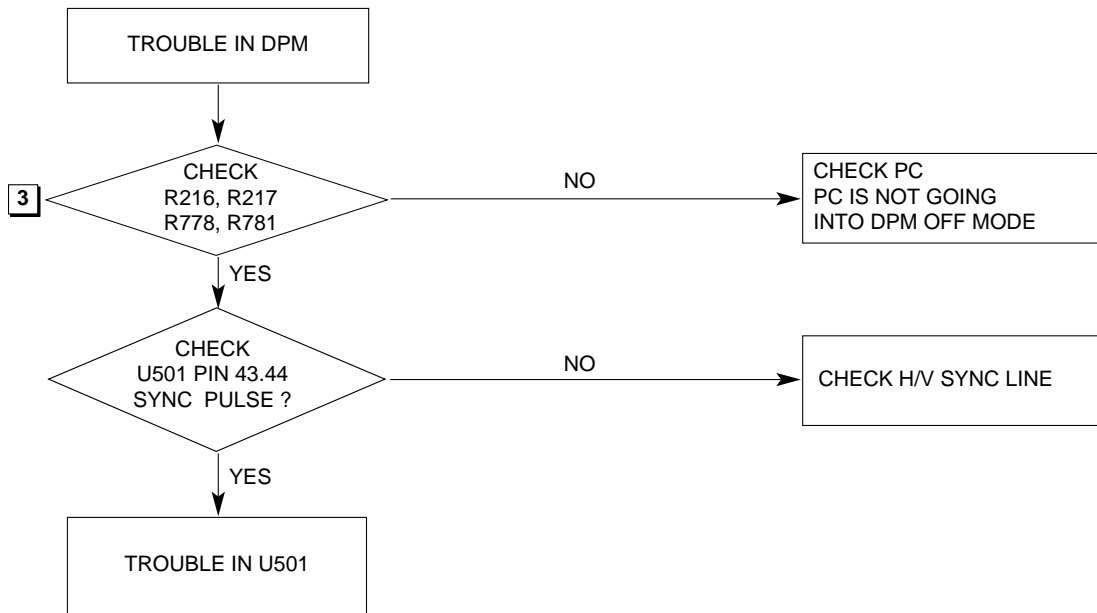
2 U501-#43 H-SYNC



2 U501-#44 V-SYNC

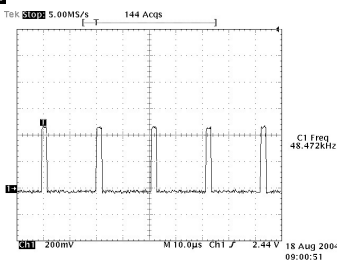


## 4. TROUBLE IN DPM

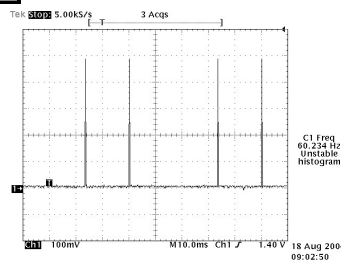


### Waveforms

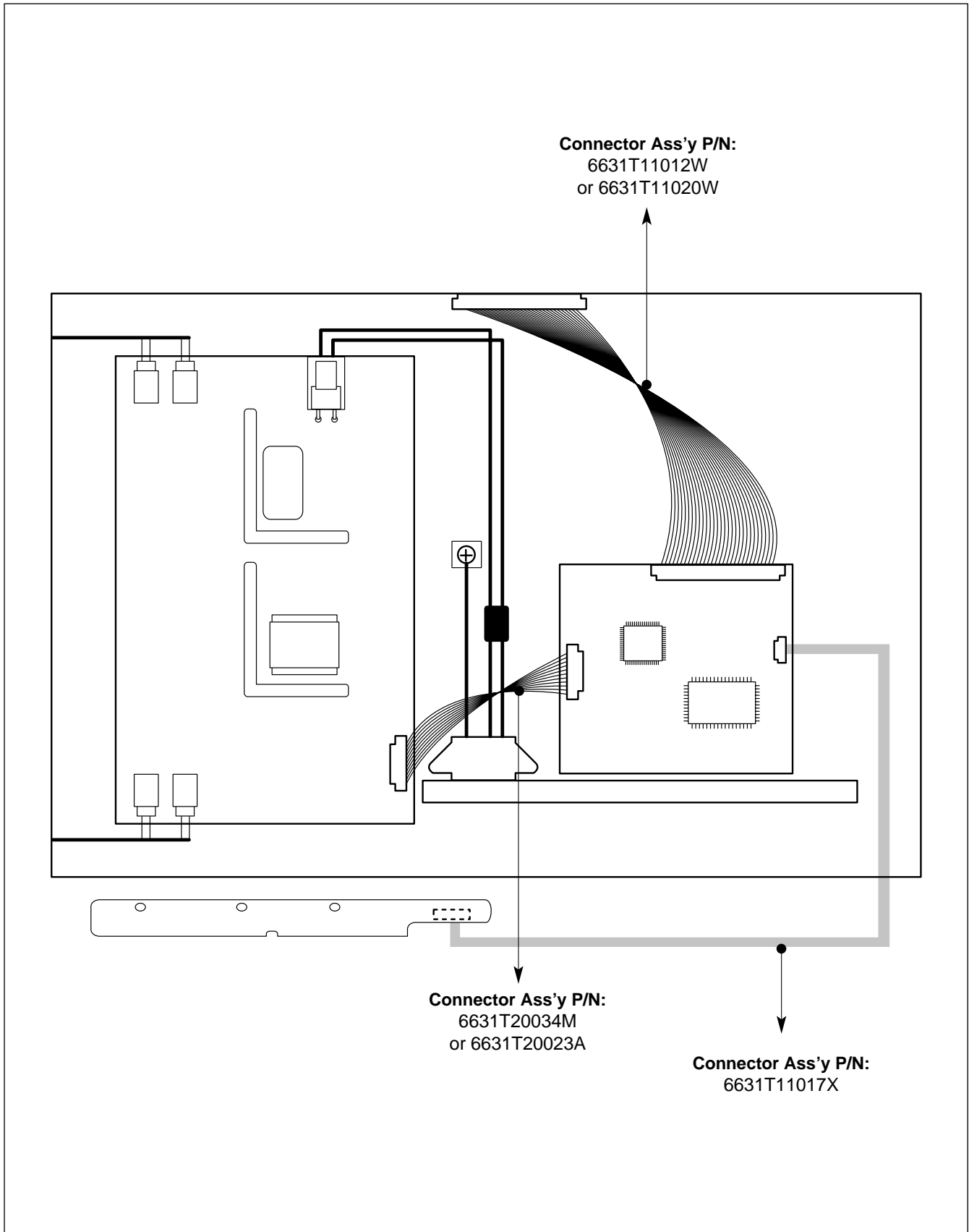
3 R216, R778 H-Sync



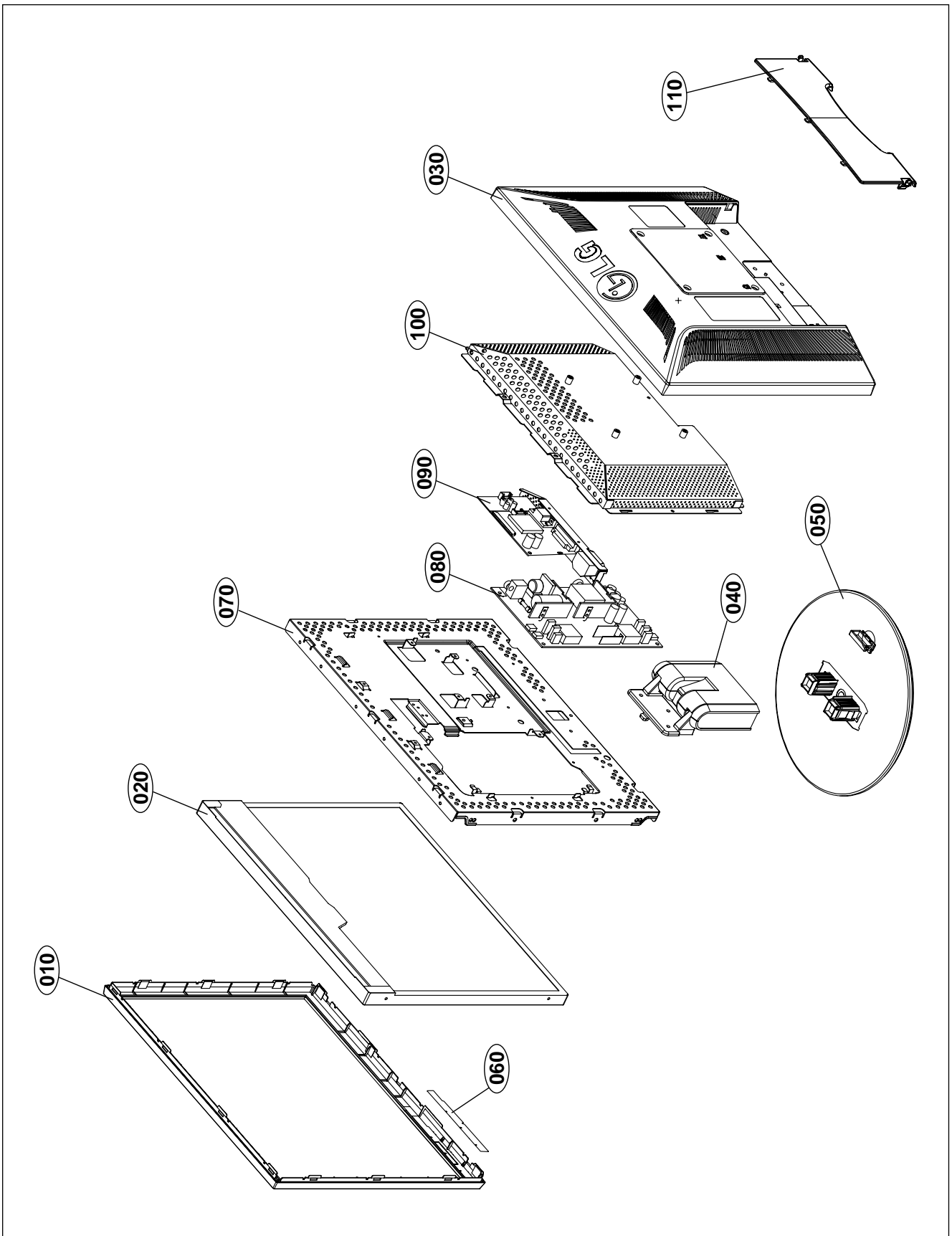
3 R217, R781 V-Sync



# WIRING DIAGRAM



# EXPLODED VIEW



## EXPLODED VIEW PARTS LIST

| Ref. No. | Part No.       | Description   |
|----------|----------------|---|
| 010      | 3091TKL168C    | CABINET ASSEMBLY, L1750SQ BRAND L122 <b>SILVER</b> ABS350 89483 TCO03 8MS   |
|          | 3091TKL168T    | CABINET ASSEMBLY, L1750SQ BRAND L122 <b>SILVER</b> ABS TCO03 8MS LIFE GOOD AU- <b>Australia</b>                                   |
|          | 3091TKL181A    | CABINET ASSEMBLY, L1750SQ BRAND L122 <b>SILVER</b> ABS TCO03+8MS CHINA VER- <b>C/SKD</b>  |
|          | 3091TKL168E    | CABINET ASSEMBLY, L1750SQ BRAND L122 <b>BLACK</b> ABS350 9930 TCO99 8MS   |
|          | 3091TKL168X    | CABINET ASSEMBLY, L1750SQ BRAND L122 <b>WHITE</b> ABS TCO03 8MS JP-VER  |
| 020      | 6304FLP200A    | LCD(LIQUID CRYSTAL DISPLAY), <b>LM170E01-A6K4</b> LG PHILPS TFT COLOR 8MS,LPL NJ/KUMI,PB FREE,EGI,TI S D-IC,SXGA,LVDS             |
|          | or 6304FLP199A | LCD(LIQUID CRYSTAL DISPLAY), <b>LM170E01-A6K3</b> LG PHILPS TFT COLOR 8MS,LPL NJ/KUMI,PB FREE,EGI,SS S D-IC,EGI,250NITS,SXGA,LVDS |
| 030      | 3809TKL100A    | BACK COVER ASSEMBLY, L1750S L100 ABS350 9930(BK)- <b>SILVER,BLACK</b>   |
|          | 3809TKL100J    | BACK COVER ASSEMBLY, L1750S L100 ABS 8B656( <b>WHITE</b> ) ANALOGUE JP-VER  |
| 040      | 3043TKK227A    | TILT SWIVEL ASSEMBLY, L1750S - TILT STAND BODY- <b>SILVER,BLACK</b>   |
|          | 3043TKK227E    | TILT SWIVEL ASSEMBLY, L1750S - TILT STAND BODY <b>NT-LOCAL-SILVER</b>   |
|          | 3043TKK227L    | TILT SWIVEL ASSEMBLY, L1750S - TILT STAND BODY JP-VER- <b>WHITE</b>   |
| 050      | 3043TKK228A    | TILT SWIVEL ASSEMBLY, L1750S - TILT STAND BASE- <b>SILVER,BLACK</b>   |
|          | 3043TKK228C    | TILT SWIVEL ASSEMBLY, LX 50S - TILT STAND BASE <b>NT LOCAL-SILVER</b>   |
|          | 3043TKK228F    | TILT SWIVEL ASSEMBLY, LX 50S - TILT STAND BASE <b>WHITE</b> COLOR-JP-VER  |
| 060      | 6871TST798A    | PWB(PCB) ASSEMBLY,SUB, L1750 CONTROL TOTAL BRAND KEY  |
|          | 6871TST798B    | PWB(PCB) ASSEMBLY,SUB, L1750 CONTROL TOTAL BRAND NT <b>C/SKD</b>  |
| 070      | 4951TKS199A    | METAL ASSEMBLY, FRAME MAIN L1750 LPL-A5 KUMI  |
| 080      | 6871TPT282C    | PWB(PCB) ASSEMBLY,POWER, M-CHASSIS 1720 DOCKING,2PIN,450V POWER TOTAL LIEN CHANG PB FREE  |
| 090      | 3313TL7100A    | MAIN TOTAL ASSEMBLY, L1750SN TSU16AL - LPL BRAND CL-82- <b>SILVER</b>   |
|          | 3313TL7100D    | MAIN TOTAL ASSEMBLY, L1750SN.KNCNEPT BRAND CL-82 LF- <b>C/SKD</b>   |
|          | 3313TL7100B    | MAIN TOTAL ASSEMBLY, L1750SN TSU16AL LPL BRAND 4-LANGUAGE CL-82- <b>BLACK,WHITE</b>   |
| 100      | 4951TKS203A    | METAL ASSEMBLY, REAR SHIELD LX50 KUMI   |
| 110      | 3550TKK740A    | COVER, L1750 BACK DOOR BRAND- <b>SILVER,BLACK</b>   |
|          | 3550TKK740C    | COVER, L1750 BACK DOOR BRAND <b>WHITE</b> JP-VER  |

# REPLACEMENT PARTS LIST

**CAUTION:** BEFORE REPLACING ANY OF THESE COMPONENTS,  
 READ CAREFULLY THE **SAFETY PRECAUTIONS** IN THIS MANUAL.  
 \* NOTE : **S** SAFETY Mark   
**AL** ALTERNATIVE PARTS

| DATE: 2005. 03. 15. |     |          |             |                                |
|---------------------|-----|----------|-------------|--------------------------------|
| *S                  | *AL | LOC. NO. | PART NO.    | DESCRIPTION / SPECIFICATION    |
| <b>MAIN BOARD</b>   |     |          |             |                                |
| <b>CAPACITORS</b>   |     |          |             |                                |
|                     |     | C204     | 0CK104CK56A | 0.1UF 1608 50V 10% R/TP X7R    |
|                     |     | C205     | 0CK104CK56A | 0.1UF 1608 50V 10% R/TP X7R    |
|                     |     | C206     | 0CK104CK56A | 0.1UF 1608 50V 10% R/TP X7R    |
|                     |     | C207     | 0CK104CK56A | 0.1UF 1608 50V 10% R/TP X7R    |
|                     |     | C211     | 0CK103CK51A | 0.01UF 1608 50V 10% R/TP B(Y   |
|                     |     | C213     | 0CK103CK51A | 0.01UF 1608 50V 10% R/TP B(Y   |
|                     |     | C214     | 0CK103CK51A | 0.01UF 1608 50V 10% R/TP B(Y   |
|                     |     | C215     | 0CK103CK51A | 0.01UF 1608 50V 10% R/TP B(Y   |
|                     |     | C216     | 0CK103CK51A | 0.01UF 1608 50V 10% R/TP B(Y   |
|                     |     | C217     | 0CK103CK51A | 0.01UF 1608 50V 10% R/TP B(Y   |
|                     |     | C218     | 0CK103CK51A | 0.01UF 1608 50V 10% R/TP B(Y   |
|                     |     | C219     | 0CK103CK51A | 0.01UF 1608 50V 10% R/TP B(Y   |
|                     |     | C220     | 0CK103CK51A | 0.01UF 1608 50V 10% R/TP B(Y   |
|                     |     | C221     | 0CK103CK51A | 0.01UF 1608 50V 10% R/TP B(Y   |
|                     |     | C222     | 0CK103CK51A | 0.01UF 1608 50V 10% R/TP B(Y   |
|                     |     | C223     | 0CK103CK51A | 0.01UF 1608 50V 10% R/TP B(Y   |
|                     |     | C224     | 0CK103CK51A | 0.01UF 1608 50V 10% R/TP B(Y   |
|                     |     | C225     | 0CK103CK51A | 0.01UF 1608 50V 10% R/TP B(Y   |
|                     |     | C226     | 0CK103CK51A | 0.01UF 1608 50V 10% R/TP B(Y   |
|                     |     | C230     | 0CK104CK56A | 0.1UF 1608 50V 10% R/TP X7R    |
|                     |     | C231     | 0CK104CK56A | 0.1UF 1608 50V 10% R/TP X7R    |
|                     |     | C232     | 0CK104CK56A | 0.1UF 1608 50V 10% R/TP X7R    |
|                     |     | C233     | 0CK104CK56A | 0.1UF 1608 50V 10% R/TP X7R    |
|                     |     | C240     | 0CK104CK56A | 0.1UF 1608 50V 10% R/TP X7R    |
|                     |     | C251     | 0CK103CK51A | 0.01UF 1608 50V 10% R/TP B(Y   |
|                     |     | C503     | 0CK103CK51A | 0.01UF 1608 50V 10% R/TP B(Y   |
|                     |     | C504     | 0CH8106F611 | 10UF 16V M 85STD(CYL) R/TP     |
|                     |     | C506     | 0CC030CK01A | 3PF 1608 50V 0.25 PF R/TP NP   |
|                     |     | C507     | 0CC180CK41A | 18PF 1608 50V 5% R/TP NP0      |
|                     |     | C508     | 0CK103CK51A | 0.01UF 1608 50V 10% R/TP B(Y   |
|                     |     | C701     | 0CK105CD56A | 1UF 1608 10V 10% R/TP X7R      |
|                     |     | C707     | 0CC680CK41A | 68PF 1608 50V 5% R/TP NP0      |
|                     |     | C708     | 0CK103CK51A | 0.01UF 1608 50V 10% R/TP B(Y   |
|                     |     | C709     | 0CK103CK51A | 0.01UF 1608 50V 10% R/TP B(Y   |
|                     |     | C717     | 0CC101CK41A | 100PF 1608 50V 5% R/TP NP0     |
|                     |     | C718     | 0CC101CK41A | 100PF 1608 50V 5% R/TP NP0     |
|                     |     | C727     | 0CK105CD56A | 1UF 1608 10V 10% R/TP X7R      |
|                     |     | C732     | 0CK103CK51A | 0.01UF 1608 50V 10% R/TP B(Y   |
|                     |     | C733     | 0CK104CK56A | 0.1UF 1608 50V 10% R/TP X7R    |
|                     |     | C734     | 0CK104CK56A | 0.1UF 1608 50V 10% R/TP X7R    |
|                     |     | C735     | 0CK104CK56A | 0.1UF 1608 50V 10% R/TP X7R    |
|                     |     | C744     | 0CC680CK41A | 68PF 1608 50V 5% R/TP NP0      |
|                     |     | C803     | 0CE107EF610 | "100UF KMG,RD 16V 20% FL BULK" |
|                     |     | C805     | 0CK104CK56A | 0.1UF 1608 50V 10% R/TP X7R    |
|                     |     | C809     | 0CK103CK51A | 0.01UF 1608 50V 10% R/TP B(Y   |
|                     |     | C812     | 0CE107EF610 | "100UF KMG,RD 16V 20% FL BULK" |
|                     |     | C814     | 0CE107EF610 | "100UF KMG,RD 16V 20% FL BULK" |
|                     |     | C819     | 0CK105CD56A | 1UF 1608 10V 10% R/TP X7R      |
| <b>DIODEs</b>       |     |          |             |                                |
|                     |     | D701     | 0DS226009AA | KDS226 TP KEC - 80V -- 4NSE    |

| DATE: 2005. 03. 15. |     |          |             |   |
|---------------------|-----|----------|-------------|---|
| *S                  | *AL | LOC. NO. | PART NO.    | DESCRIPTION / SPECIFICATION             |
|                     |     | D702     | 0DS226009AA | KDS226 TP KEC - 80V -- 4NSE             |
|                     |     | D706     | 0DS226009AA | KDS226 TP KEC - 80V -- 4NSE             |
|                     |     | ZD701    | 0DZ560009GB | "BZT52C5V6S-(F),LF DIODES R/TP"         |
|                     |     | ZD702    | 0DZ560009GB | "BZT52C5V6S-(F),LF DIODES R/TP"         |
|                     |     | ZD703    | 0DZ560009GB | "BZT52C5V6S-(F),LF DIODES R/TP"         |
|                     |     | ZD704    | 0DZ560009GB | "BZT52C5V6S-(F),LF DIODES R/TP"         |
|                     |     | ZD711    | 0DZ560009GB | "BZT52C5V6S-(F),LF DIODES R/TP"         |
|                     |     | ZD712    | 0DZ560009GB | "BZT52C5V6S-(F),LF DIODES R/TP"         |
| <b>ICs</b>          |     |          |             |   |
|                     |     | U201     | 0IPRPM3017A | "TSU16AL-LF MSTAR 100P,QFP TR"          |
|                     |     | U501     | 0IZZTSZ595A | L1750SN MSTAR MICOM ASSY - 1            |
|                     |     | U501     | 0IZZTSZ595B | L1750SN MSTAR MICOM ASSY - <b>C/SKD</b> |
|                     |     | U502     | 0ICS240813B | "CAT24WC08J-TE13 8P,SOIC R/TP"          |
|                     |     | U801     | 0IPMGKE011A | KIA78D33F KEC DPAK R/TP 3.3V            |
|                     |     | Q502     | 0IKE704200H | KIA7042AP TO-92 TP 4.2 VOLT             |
| <b>TRANSISTOR</b>   |     |          |             |   |
|                     |     | Q503     | 0TR390409AE | FAIRCHILD KST3904(LGEMTF) TP            |
|                     |     | Q504     | 0TR390409AE | FAIRCHILD KST3904(LGEMTF) TP            |
|                     |     | Q505     | 0TR390409AE | FAIRCHILD KST3904(LGEMTF) TP            |
|                     |     | Q703     | 0TR390609FA | KST3906-MTF TP SAMSUNG SOT2             |
|                     |     | Q704     | 0TR390609FA | KST3906-MTF TP SAMSUNG SOT2             |
|                     |     | Q801     | 0TR127309AA | KTA1273-Y(KTA966A) TP KEC TO            |
|                     |     | Q802     | 0TR390409AE | FAIRCHILD KST3904(LGEMTF) TP            |
|                     |     | Q803     | 0TR127309AA | KTA1273-Y(KTA966A) TP KEC TO            |
| <b>RESISTORs</b>    |     |          |             |   |
|                     |     | R201     | 0RJ0682D677 | 68 OHM 1/10 W 5% 1608 R/TP              |
|                     |     | R202     | 0RJ0682D677 | 68 OHM 1/10 W 5% 1608 R/TP              |
|                     |     | R203     | 0RJ0682D677 | 68 OHM 1/10 W 5% 1608 R/TP              |
|                     |     | R207     | 0RJ3900D677 | 390 OHM 1/10 W 5% 1608 R/TP             |
|                     |     | R208     | 0RJ0682D677 | 68 OHM 1/10 W 5% 1608 R/TP              |
|                     |     | R209     | 0RJ0682D677 | 68 OHM 1/10 W 5% 1608 R/TP              |
|                     |     | R210     | 0RJ0682D677 | 68 OHM 1/10 W 5% 1608 R/TP              |
|                     |     | R216     | 0RJ0000D677 | 0 OHM 1/10 W 5% 1608 R/TP               |
|                     |     | R217     | 0RJ0000D677 | 0 OHM 1/10 W 5% 1608 R/TP               |
|                     |     | R220     | 0RJ4701D677 | 4.7K OHM 1/10 W 5% 1608 R/TP            |
|                     |     | R240     | 0RJ1001D677 | 1K OHM 1/10 W 5% 1608 R/TP              |
|                     |     | R501     | 0RJ4701D677 | 4.7K OHM 1/10 W 5% 1608 R/TP            |
|                     |     | R503     | 0RJ4701D677 | 4.7K OHM 1/10 W 5% 1608 R/TP            |
|                     |     | R506     | 0RJ4701D677 | 4.7K OHM 1/10 W 5% 1608 R/TP            |
|                     |     | R508     | 0RJ4701D677 | 4.7K OHM 1/10 W 5% 1608 R/TP            |
|                     |     | R520     | 0RJ4701D677 | 4.7K OHM 1/10 W 5% 1608 R/TP            |
|                     |     | R521     | 0RJ4701D677 | 4.7K OHM 1/10 W 5% 1608 R/TP            |
|                     |     | R522     | 0RJ4701D677 | 4.7K OHM 1/10 W 5% 1608 R/TP            |
|                     |     | R523     | 0RJ4701D677 | 4.7K OHM 1/10 W 5% 1608 R/TP            |
|                     |     | R530     | 0RJ1002D677 | 10K OHM 1/10 W 5% 1608 R/TP             |
|                     |     | R534     | 0RJ0000D677 | 0 OHM 1/10 W 5% 1608 R/TP               |
|                     |     | R535     | 0RJ3301D677 | 3.3K OHM 1/10 W 5% 1608 R/TP            |
|                     |     | R537     | 0RJ3301D677 | 3.3K OHM 1/10 W 5% 1608 R/TP            |

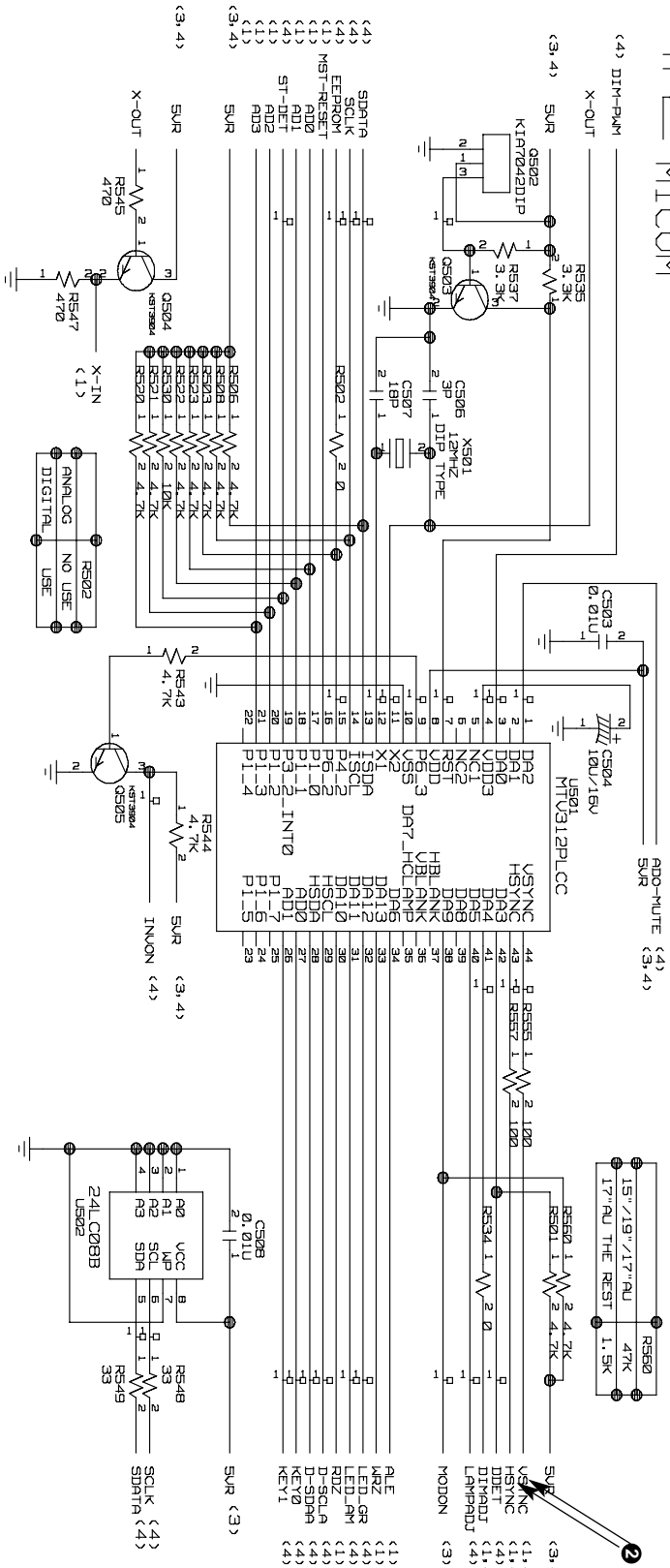
| DATE: 2005. 03. 15.  |     |          |             |                              |
|----------------------|-----|----------|-------------|------------------------------|
| *S                   | *AL | LOC. NO. | PART NO.    | DESCRIPTION / SPECIFICATION  |
|                      |     | R543     | 0RJ4701D677 | 4.7K OHM 1/10 W 5% 1608 R/TP |
|                      |     | R544     | 0RJ4701D677 | 4.7K OHM 1/10 W 5% 1608 R/TP |
|                      |     | R545     | 0RJ4700D677 | 470 OHM 1/10 W 5% 1608 R/TP  |
|                      |     | R547     | 0RJ4700D677 | 470 OHM 1/10 W 5% 1608 R/TP  |
|                      |     | R548     | 0RJ0332D677 | 33 OHM 1/10 W 5% 1608 R/TP   |
|                      |     | R549     | 0RJ0332D677 | 33 OHM 1/10 W 5% 1608 R/TP   |
|                      |     | R555     | 0RJ1000D677 | 100 OHM 1/10 W 5% 1608 R/TP  |
|                      |     | R557     | 0RJ1000D677 | 100 OHM 1/10 W 5% 1608 R/TP  |
|                      |     | R560     | 0RJ1501D677 | 1.5K OHM 1/10 W 5% 1608 R/TP |
|                      |     | R701     | 0RJ0752D677 | 75 OHM 1/10 W 5% 1608 R/TP   |
|                      |     | R702     | 0RJ2001D677 | 2K OHM 1/10 W 5% 1608 R/TP   |
|                      |     | R703     | 0RJ0752D677 | 75 OHM 1/10 W 5% 1608 R/TP   |
|                      |     | R704     | 0RJ2001D677 | 2K OHM 1/10 W 5% 1608 R/TP   |
|                      |     | R706     | 0RJ0752D677 | 75 OHM 1/10 W 5% 1608 R/TP   |
|                      |     | R708     | 0RJ4700D677 | 470 OHM 1/10 W 5% 1608 R/TP  |
|                      |     | R709     | 0RJ4700D677 | 470 OHM 1/10 W 5% 1608 R/TP  |
|                      |     | R712     | 0RJ0102D677 | 10 OHM 1/10 W 5% 1608 R/TP   |
|                      |     | R716     | 0RJ4701D677 | 4.7K OHM 1/10 W 5% 1608 R/TP |
|                      |     | R717     | 0RJ4701D677 | 4.7K OHM 1/10 W 5% 1608 R/TP |
|                      |     | R720     | 0RJ0000D677 | 0 OHM 1/10 W 5% 1608 R/TP    |
|                      |     | R722     | 0RJ1000D677 | 100 OHM 1/10 W 5% 1608 R/TP  |
|                      |     | R723     | 0RJ0332D677 | 33 OHM 1/10 W 5% 1608 R/TP   |
|                      |     | R724     | 0RJ0332D677 | 33 OHM 1/10 W 5% 1608 R/TP   |
|                      |     | R726     | 0RJ1002D677 | 10K OHM 1/10 W 5% 1608 R/TP  |
|                      |     | R727     | 0RJ1002D677 | 10K OHM 1/10 W 5% 1608 R/TP  |
|                      |     | R737     | 0RJ0000D677 | 0 OHM 1/10 W 5% 1608 R/TP    |
|                      |     | R744     | 0RJ4701D677 | 4.7K OHM 1/10 W 5% 1608 R/TP |
|                      |     | R747     | 0RJ4701D677 | 4.7K OHM 1/10 W 5% 1608 R/TP |
|                      |     | R751     | 0RJ4700D677 | 470 OHM 1/10 W 5% 1608 R/TP  |
|                      |     | R752     | 0RJ1000D677 | 100 OHM 1/10 W 5% 1608 R/TP  |
|                      |     | R753     | 0RJ1000D677 | 100 OHM 1/10 W 5% 1608 R/TP  |
|                      |     | R754     | 0RJ1000D677 | 100 OHM 1/10 W 5% 1608 R/TP  |
|                      |     | R755     | 0RJ1000D677 | 100 OHM 1/10 W 5% 1608 R/TP  |
|                      |     | R769     | 0RJ0000D677 | 0 OHM 1/10 W 5% 1608 R/TP    |
|                      |     | R778     | 0RJ0682D677 | 68 OHM 1/10 W 5% 1608 R/TP   |
|                      |     | R781     | 0RJ0682D677 | 68 OHM 1/10 W 5% 1608 R/TP   |
|                      |     | R803     | 0RH0000D622 | 0 OHM 1 / 10 W 2012 5.00% D  |
|                      |     | R804     | 0RJ1002D677 | 10K OHM 1/10 W 5% 1608 R/TP  |
|                      |     | R805     | 0RH2000D622 | 200 OHM 1 / 10 W 5% D R/TP   |
|                      |     | R806     | 0RH2000D622 | 200 OHM 1 / 10 W 5% D R/TP   |
|                      |     | R808     | 0RJ0000D677 | 0 OHM 1/10 W 5% 1608 R/TP    |
|                      |     | R816     | 0RJ1002D677 | 10K OHM 1/10 W 5% 1608 R/TP  |
|                      |     | R820     | 0RJ0000D677 | 0 OHM 1/10 W 5% 1608 R/TP    |
|                      |     | R821     | 0RH0000D622 | 0 OHM 1 / 10 W 2012 5.00% D  |
|                      |     | R824     | 0RJ0272D677 | 27 OHM 1/10 W 5% 1608 R/TP   |
|                      |     | R825     | 0RJ2000D677 | 200 OHM 1/10 W 5% 1608 R/TP  |
| <b>CONTROL BOARD</b> |     |          |             |                              |
|                      |     | X501     | 6212AA2004A | HC-49U TXC 12.0MHZ +/- 30 PP |
| <b>OTHERs</b>        |     |          |             |                              |
|                      |     | C1       | 0CK104CK56A | 0.1UF 1608 50V 10% R/TP X7R  |
|                      |     | C2       | 0CK104CK56A | 0.1UF 1608 50V 10% R/TP X7R  |
|                      |     | LED1     | 0DLLT0208AA | LITEON LTST-C155KGJSKT R/TP  |
|                      |     | R1       | 0RJ4701D677 | 4.7K OHM 1/10 W 5% 1608 R/TP |
|                      |     | R2       | 0RJ4701D677 | 4.7K OHM 1/10 W 5% 1608 R/TP |
|                      |     | R3       | 0RJ2001D677 | 2K OHM 1/10 W 5% 1608 R/TP   |
|                      |     | R4       | 0RJ2001D677 | 2K OHM 1/10 W 5% 1608 R/TP   |
|                      |     | R5       | 0RJ4701D677 | 4.7K OHM 1/10 W 5% 1608 R/TP |
|                      |     | SW1      | 6600TR1002A | SKQGACE010 J-ALPS NON 12V 50 |

| DATE: 2005. 03. 15. |     |          |          |  |
|---------------------|-----|----------|----------|--|
| *S                  | *AL | LOC. NO. | PART NO. | DESCRIPTION / SPECIFICATION                |
|                     |     |          | SW2      | 6600TR1002A SKQGACE010 J-ALPS NON 12V 50   |
|                     |     |          | SW3      | 6600TR1002A SKQGACE010 J-ALPS NON 12V 50   |
|                     |     |          | SW4      | 6600TR1002A SKQGACE010 J-ALPS NON 12V 50   |
|                     |     |          | SW5      | 6600TR1002A SKQGACE010 J-ALPS NON 12V 50   |
|                     |     |          | ZD1      | 0DZ560009GB "BZT52C5V6S-(F),LF DIODES R/T" |
|                     |     |          | ZD2      | 0DZ560009GB "BZT52C5V6S-(F),LF DIODES R/T" |



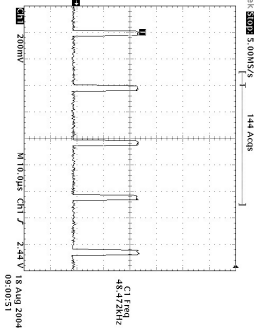
## 2. MICOM

#2 L15XXBN+L17XXBN+L19XXBN  
MICOM

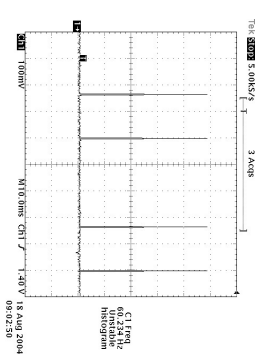


### Waveforms

2 US01-#43 H-SYNC

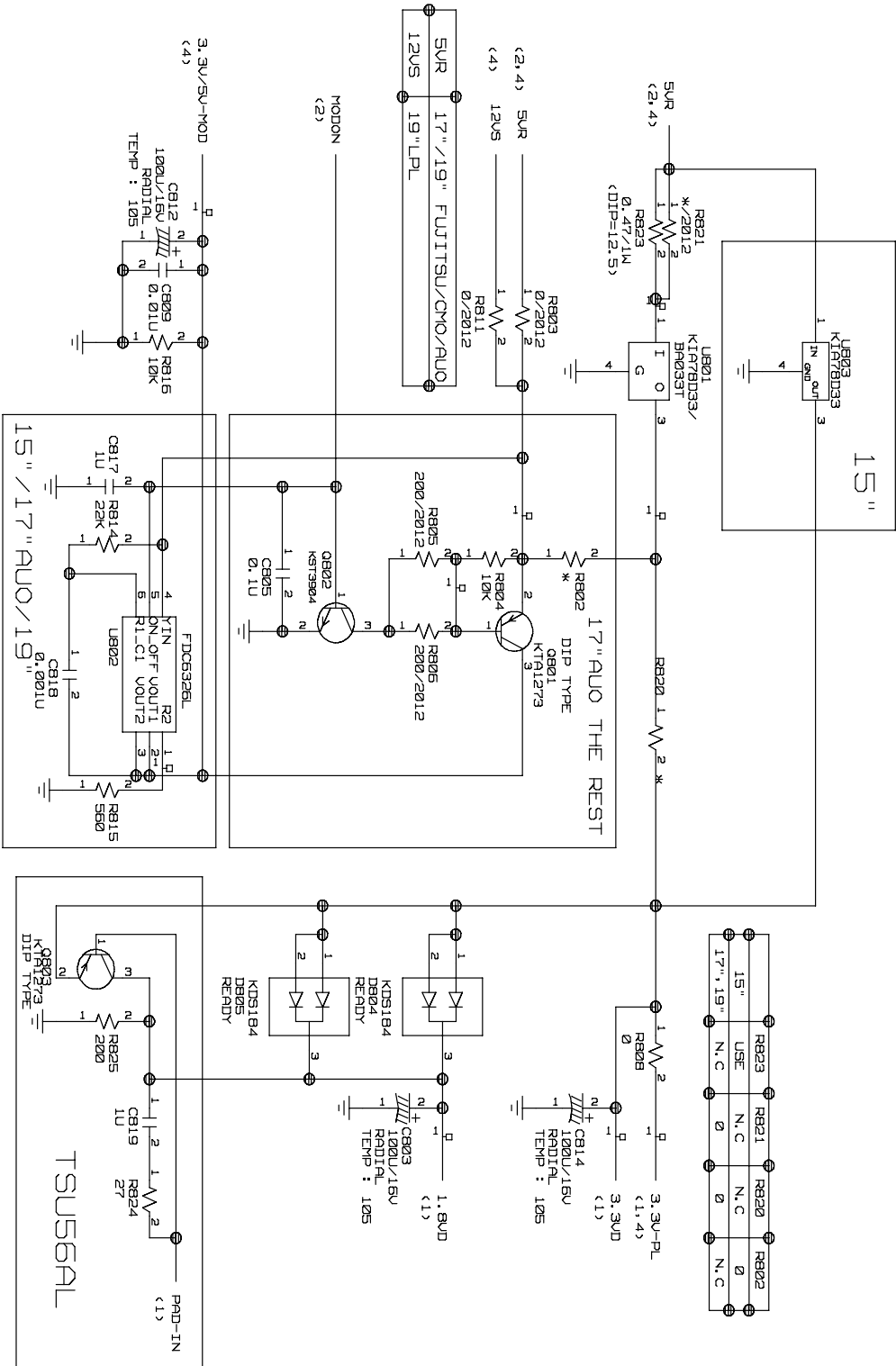


2 US01-#44 V-SYNC



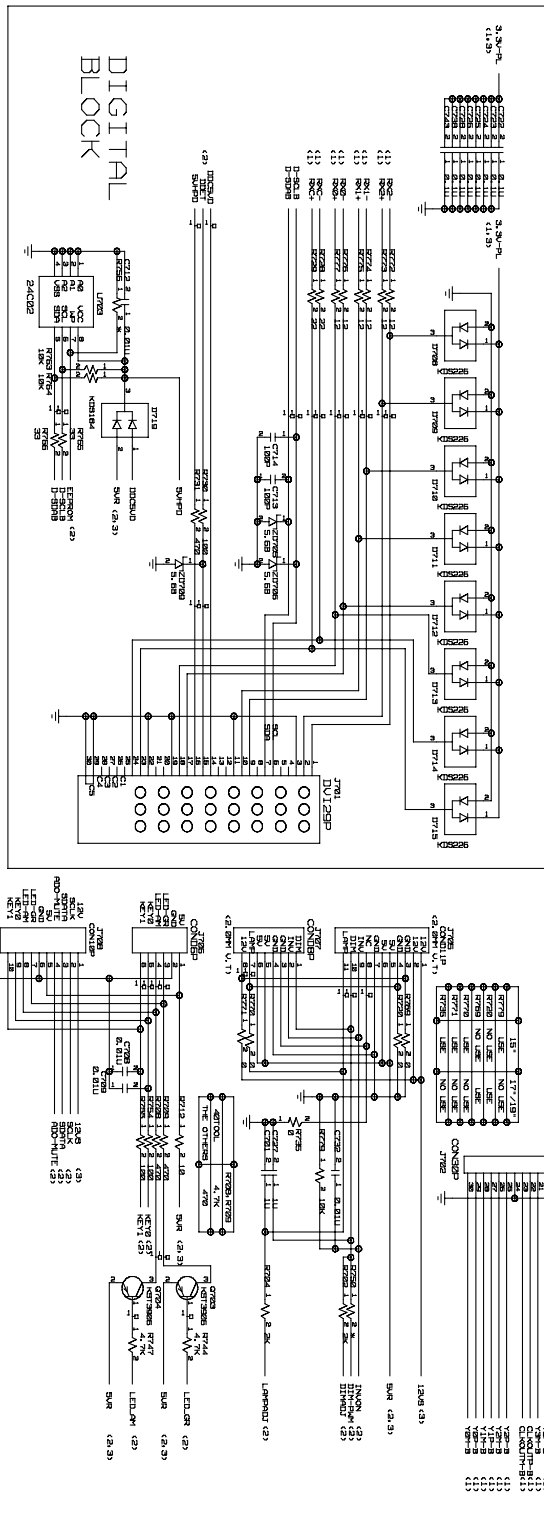
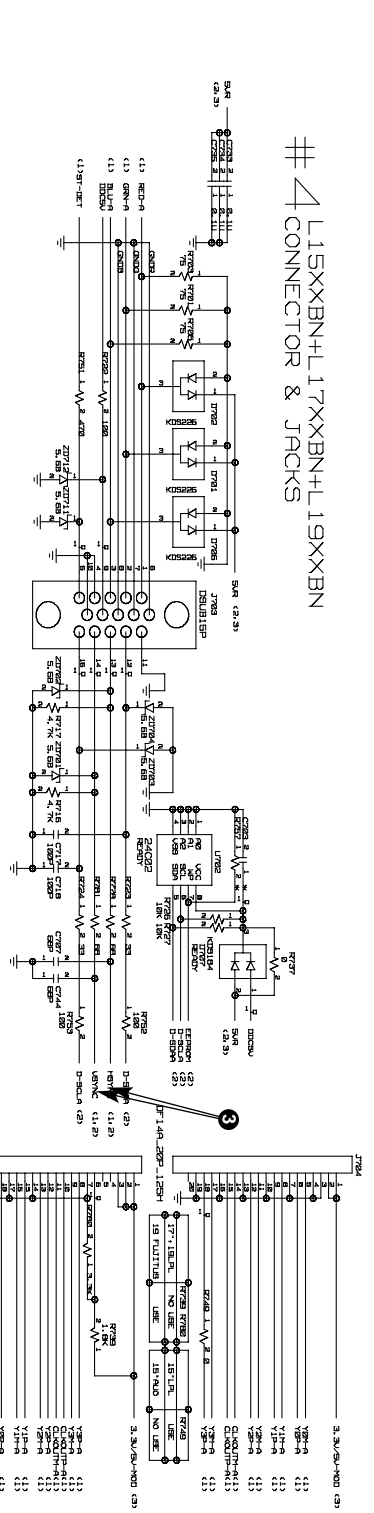
### 3.POWER

# 3 L15XXBN+17XXBN+L19XXBN  
POWER

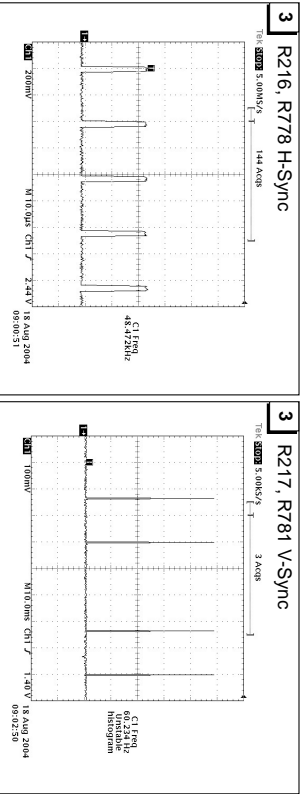


# 4. CONNECTOR & JACKS

## #4 L15XXBN+L17XXBN+L19XXBN CONNECTOR & JACKS



### Waveforms





P/NO : 3828TSL094K

Mar. 2005  
Printed in Korea