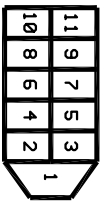
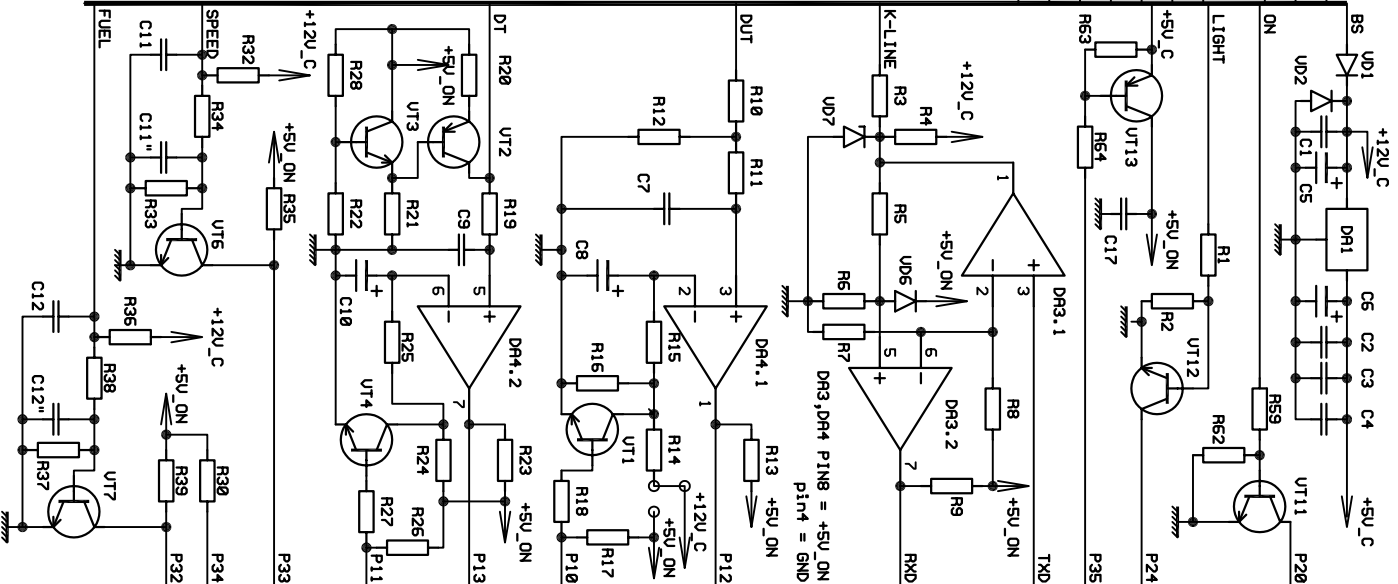


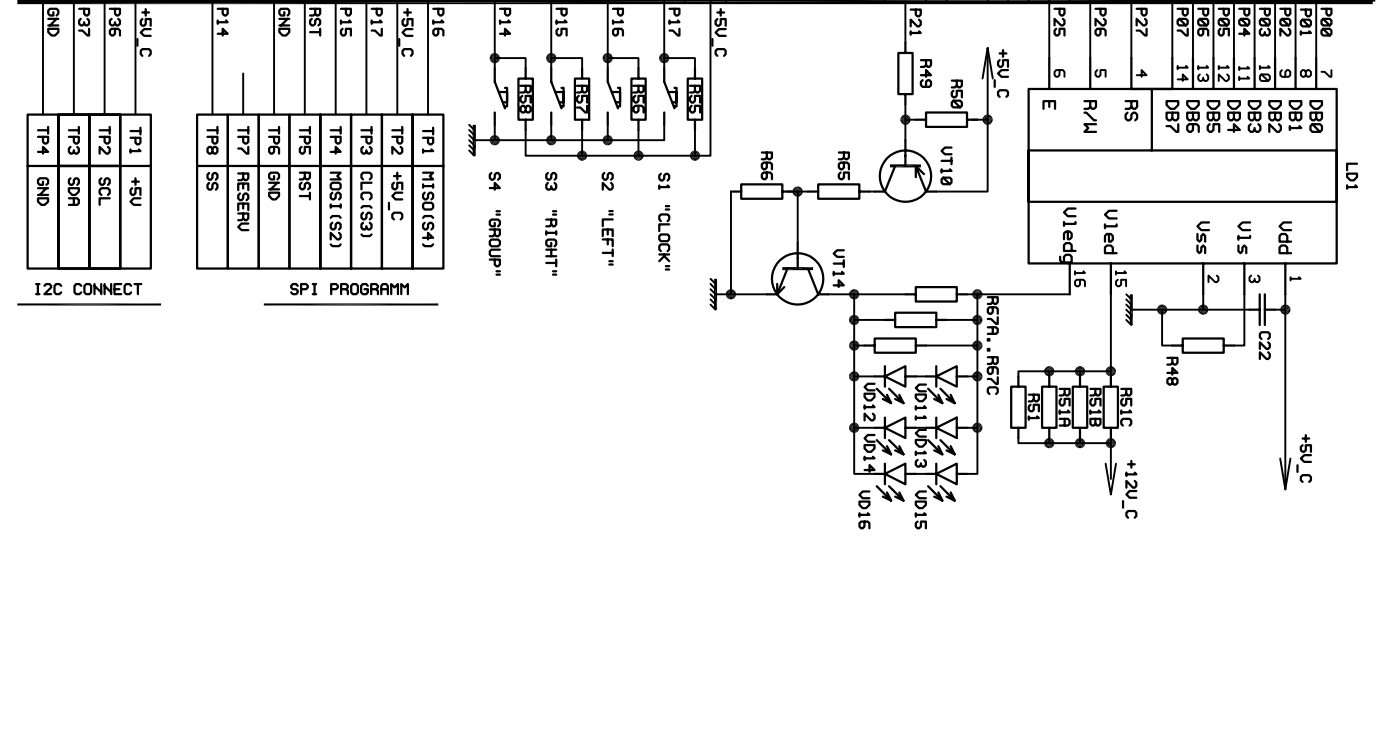
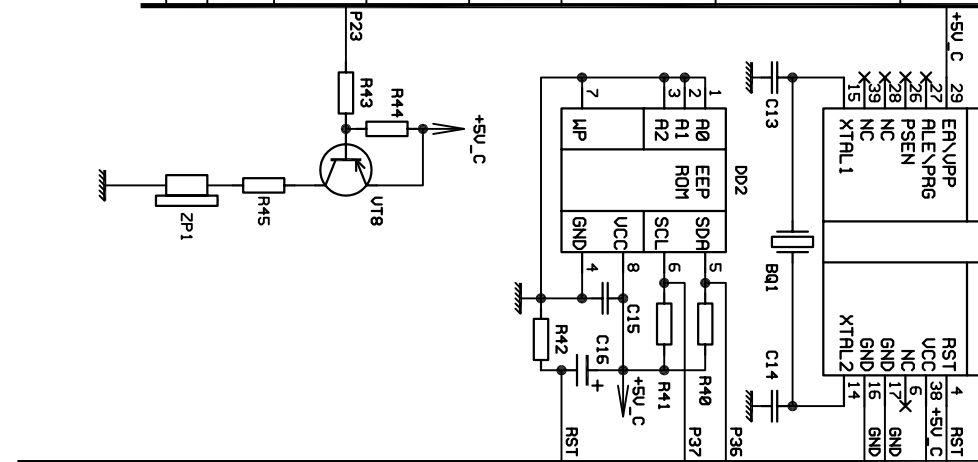
FUEL	1	FUEL
K-LINE	2	K-LINE
ON	3	ON
BS	4 X	BS
LIGHT	5	LIGHT
GND	6	GND
DUT	7	DUT
SPEED	8	SPEED
DT	9	DT
GND_DT	10	GND
	11	



BOTTOM SIDE



P20	18	P2.0	P1.0/T2	40	P10	P00	7	DB0
P21	19	P2.1	P1.1/T2EX	41	P11	P01	8	DB1
P22	20	P2.2	P1.2	42	P12	P02	9	DB2
P23	21	P2.3	P1.3	43	P13	P03	10	DB3
P24	22	P2.4	P1.4/SS	44	P14	P04	11	DB4
P25	23	P2.5	P1.5/MOSI	1	P15	P05	12	DB5
P26	24	P2.6	P1.6/MISO	2	P16	P06	13	DB6
P27	25	P2.7	P1.7/CLK	3	P17	P07	14	DB7
P00	37	P0.0	P3.0/RXD	5	RXD	P27	4	RS
P01	36	P0.1	P3.1/TXD	7	TXD	P28	5	R/W
P02	35	P0.2	P3.2/INT0	8	P32	P29	6	E
P03	34	P0.3	P3.3/INT1	9	P33	P30	7	
P04	33	P0.4	P3.4/T0	10	P34	P31	8	
P05	32	P0.5	P3.5/T1	11	P35	P32	9	
P06	31	P0.6	P3.6	12	P36	P33	10	
P07	30	P0.7	P3.7	13	P37	P34	11	
						P35	12	
						P36	13	
						P37	14	



TP1	+5V
TP2	SCL
TP3	SDA
TP4	GND

TP1	MISO(S4)
TP2	+5V_C
TP3	CLC(S3)
TP4	MOSI(S2)
TP5	RST
TP6	GND
TP7	RESERU
TP8	SS

S1	"CLOCK"
S2	"LEFT"
S3	"RIGHT"
S4	"GROUP"