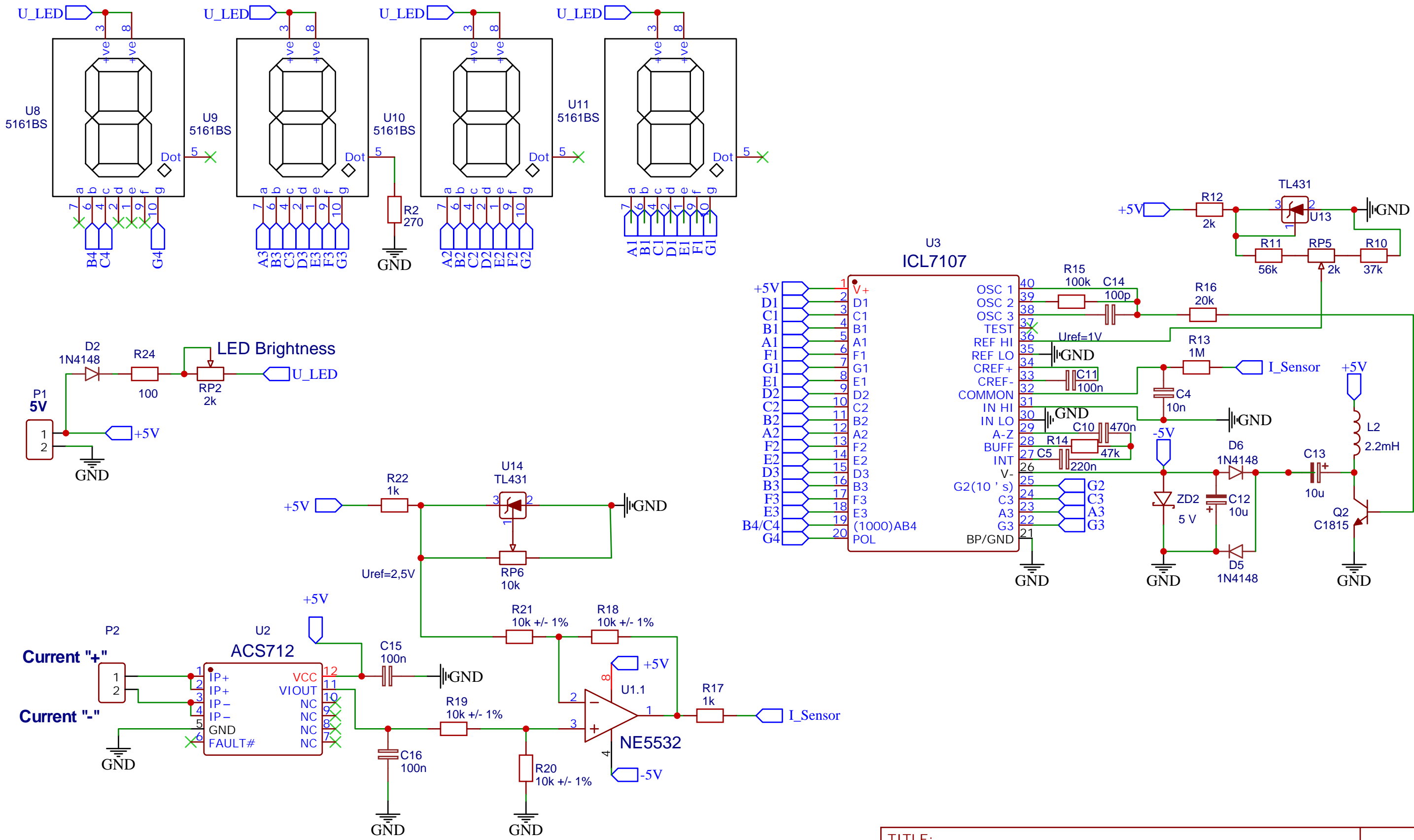


Amperemeter



TITLE: A-Meter		REV: 1.0
EasyEDA	Company: Home	Sheet: 1/1
	Date: 2024-11-14	Drawn By: M&M