

27.05.2011 |

- 0 601 B10 003 - GCO 14-1

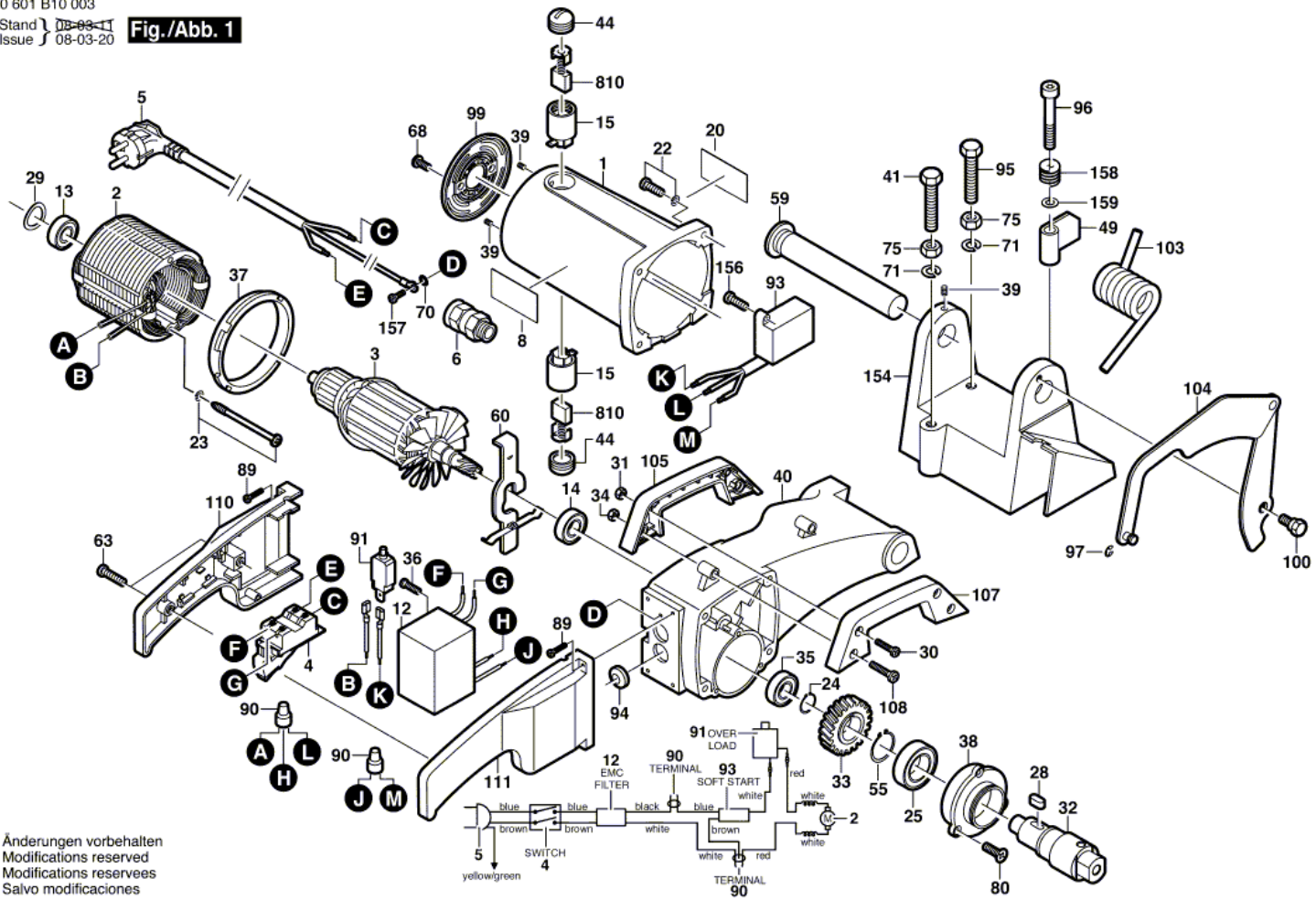
www.powertools-aftersaleservice.com



BOSCH

0 601 B10 003
Stand 08-09-11
Issue 08-03-20

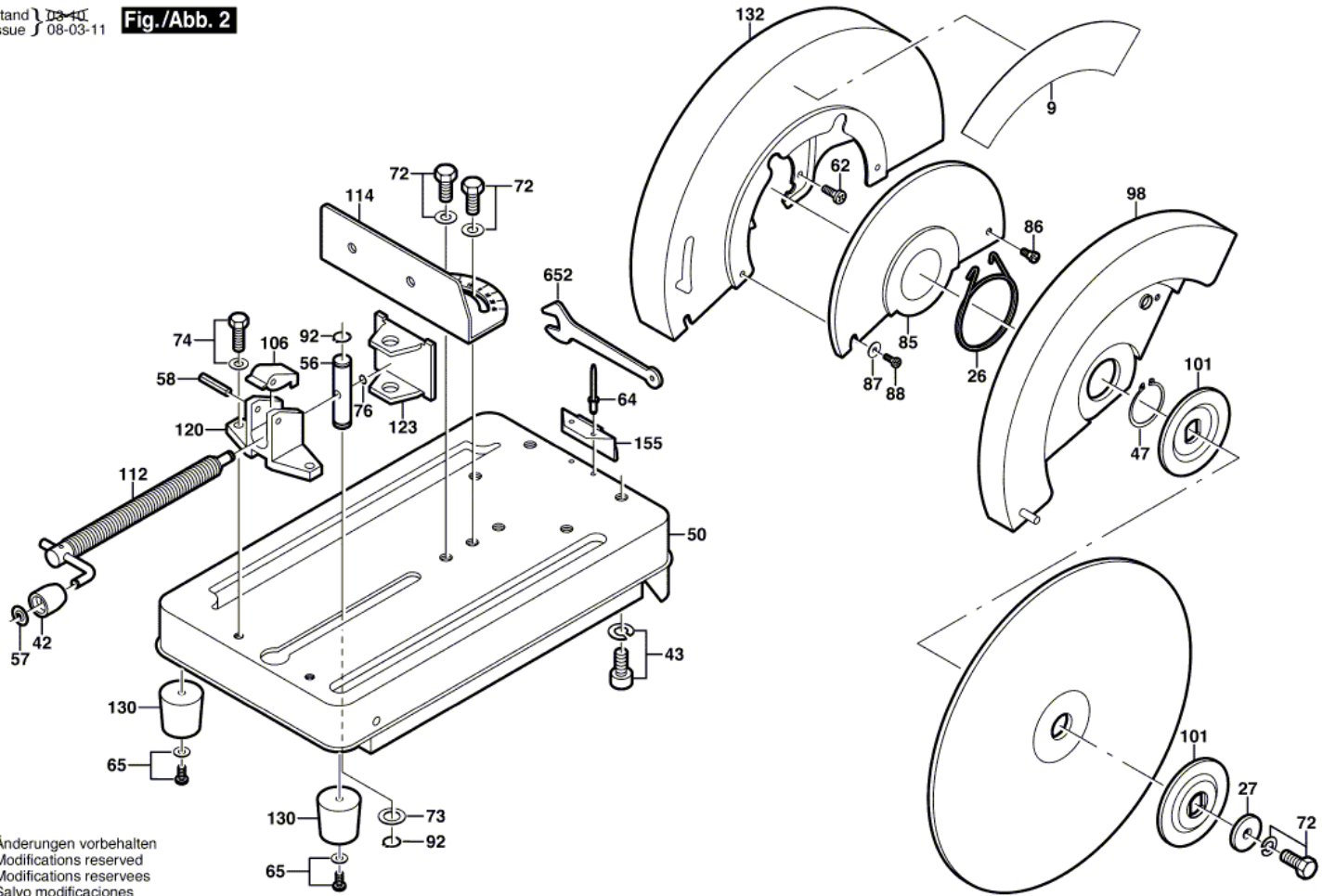
Fig./Abb. 1



Änderungen vorbehalten
Modifications reserved
Modifications reserves
Salvo modificaciones

0 601 B10 003
Stand 03-11
Issue 08-03-11

Fig./Abb. 2



I
E