

4

3

SIZE
B

SC20XX

REV
-

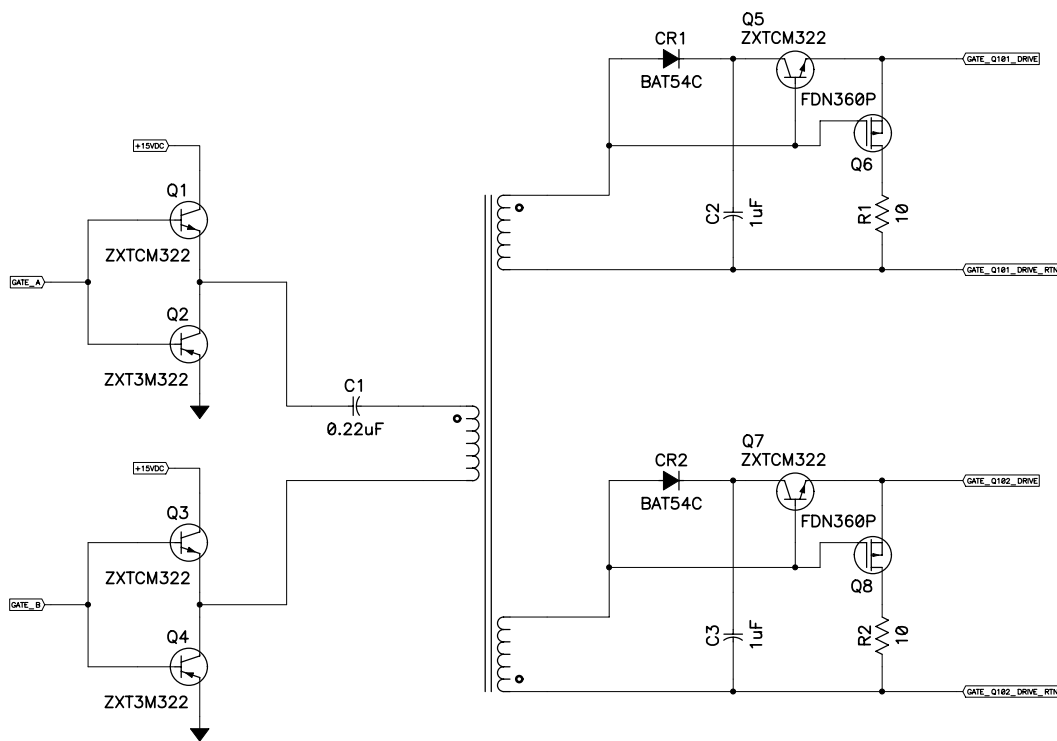
2

1

THIS DOCUMENT MAY BE DISTRIBUTED FREELY.

REVISIONS

LTR	DESCRIPTION	ZONE	ENG	DWG	DATE	APPROVED
-	INITIAL RELEASE		DHM			



NOTES:
1.

TITLE				ULTRAFAST SOLID STATE TESLA COIL MOSFET GATE DRIVE CIRCUIT		
SIZE B	CAGE CODE IDENT NO.	DWG NO. SC20XX	REV -	SCALE NTS	ACT WT	CALC WT
SHEET 1 OF 1			ACCEL CAD file: SC20XX			

4

3

2

1