

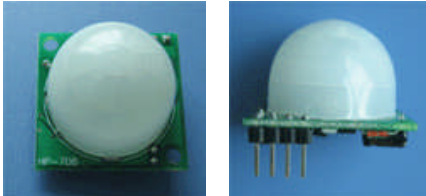


EAGLE POWER

International Holdings (HK) LTD

TEL: 86-755-27838089 (Shenzhen office)
FAX: 86-755-27897072
E-mail: michelle@sbcde.com.cn
Web: www.sbcde.com.cn/en

PIR Motion Detector Module



Motion detector module uses a motion detector IC and PCB mounted Fresnel lens.

Item: SB0081

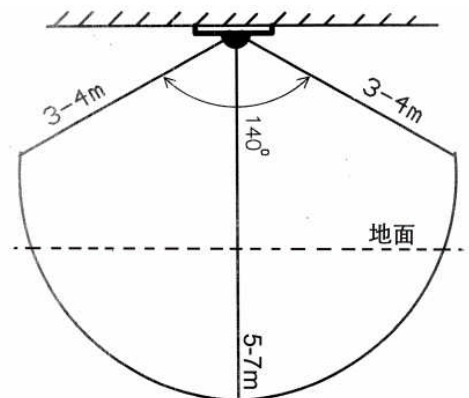
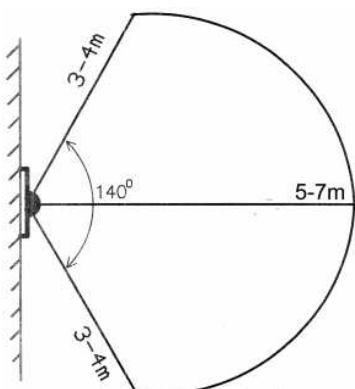
General

SB0081 is a pyroelectric sensor module which developed for human body detection. A PIR detector combined with a fresnel lens are mounted on a compact size PCB together with an analog IC, SB0081, and limited components to form the module. High level output of variable width is provided.

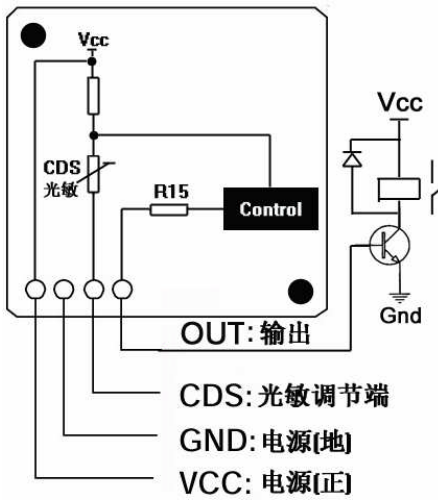
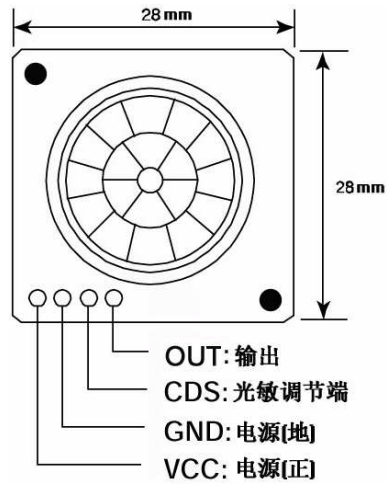
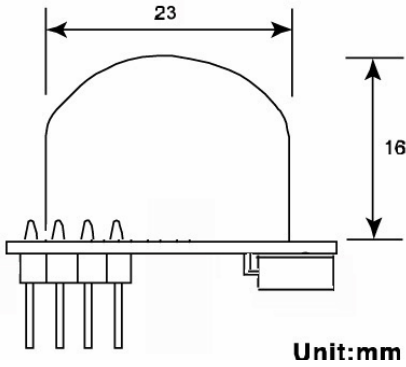
Features and Electrical Specification

- Compact size (28 x 28 mm)
- Supply current: DC5V-20V (can design DC3V-24V)
- Current drain :< 50uA
- (Other choice: DC0.8V-4.5V; Current drain: 1.5mA-0.1mA)
- Voltage Output: High/Low level signal : 3.3V High level signal
- (Other choice: Open-Collector Output)
- TTL output can be directly connected to micro controller or logic device
- High sensitivity
- Delay time: 5s-18 minute
- Blockade time: 0.5s-50s (acquiescently 0 seconds)
- Operation Temperature: -15°C -70°C
- Infrared sensor: dual element, low noise, high sensitivity
- Light sensor: CdS photocell (can be add as customer requirement)

Lens information



Application Note



Note

Due to the high sensitivity of PIR sensor device, it is not recommended to use the module in the following or similar condition.

- A) in rapid environmental changes
- B) in strong shock or vibration
- C) in a place where there are obstructing material (eg. glass) through which IR cannot pass within detection area.
- D) exposed to direct sun light
- E) exposed to direct wind from a heater or air condition