

# Edixeon<sup>®</sup> A Series



Edixeon<sup>®</sup> A series emitters are one of the highest flux LEDs in the world by Edison Opto. Edixeon<sup>®</sup> A series emitters are designed to satisfy more and more Solid-State lighting High Power LED applications for brilliant world such as flash light, indoor and outdoor decoration light. Edixeon<sup>®</sup> A series emitters are designed by particular package for High Power LED. 1W Edixeon<sup>®</sup> white has typical 100 lumens @350mA. Unlike most fluorescent sources, Edixeon<sup>®</sup> contains no mercury and has more energy efficient than other incandescent light source.

## Features

- Various colors
- More energy efficient than incandescent and most halogen lamps
- Low voltage operation
- Instant light
- Long operating life

---

## Table of Contents

Product Nomenclature .....	2
Environmental Compliance .....	3
LED Package Dimensions and Polarity .....	4
LED Package with Star Dimensions and Polarity .....	5
Absolute Maximum Ratings .....	6
Luminous Flux Characteristics .....	8
Forward Voltage Characteristics .....	10
JEDEC Information .....	11
Reliability Items and Failure Measures .....	12
Color Spectrum and Radiation Pattern.....	13
Optical & Electrical Characteristics .....	20
Product Soldering Instructions .....	28
Product Thermal Application Information .....	30
Product Electrical Application Information.....	35
Product Packaging Information .....	36
Star Product Packaging Information.....	38

## Product Nomenclature

The following table describes the available color, power, and lens type. For more flux and forward voltage information, please consult the Bin Group document.

< Table 1. Edixeon® A series nomenclature >

# E D E X - 1 L A 5 - E 1 - A B 16

X1		X2		X3		X4		X5		X6	
LED Item		Module		Emitting Color		Power		Lens Item		Housing Item	
Code	Type	Code	Type	Code	Type	Code	Type	Code	Type	Code	Type
ED	Edixeon®	E	Emitter	W	Cool White	1	1 W	L	Lambertian (140°)	A	White
		S	Star	H	Neutral White	3	3 W	B	Batwing (±40°)		
				X	Warm White			S	Side Emitting (±80°)		
				R	Red			F	Focusing (80°)		
				A	Amber						
				T	True Green						
				B	Blue						

X7		X8		X9		X10		X11		X12	
Material		Phosphor Item		Testing Current		Shape Item		Al PCB Color		Thickness	
				Code	Type	Code	Type	Code	Type	Code	Type
				1	350mA	A	Star	W	White	10	1.0mm
				3	700mA	B	Square(25*25mm)	G	Green	16	1.6mm
						C	Square(30*30mm)	B	Black	20	2.0mm

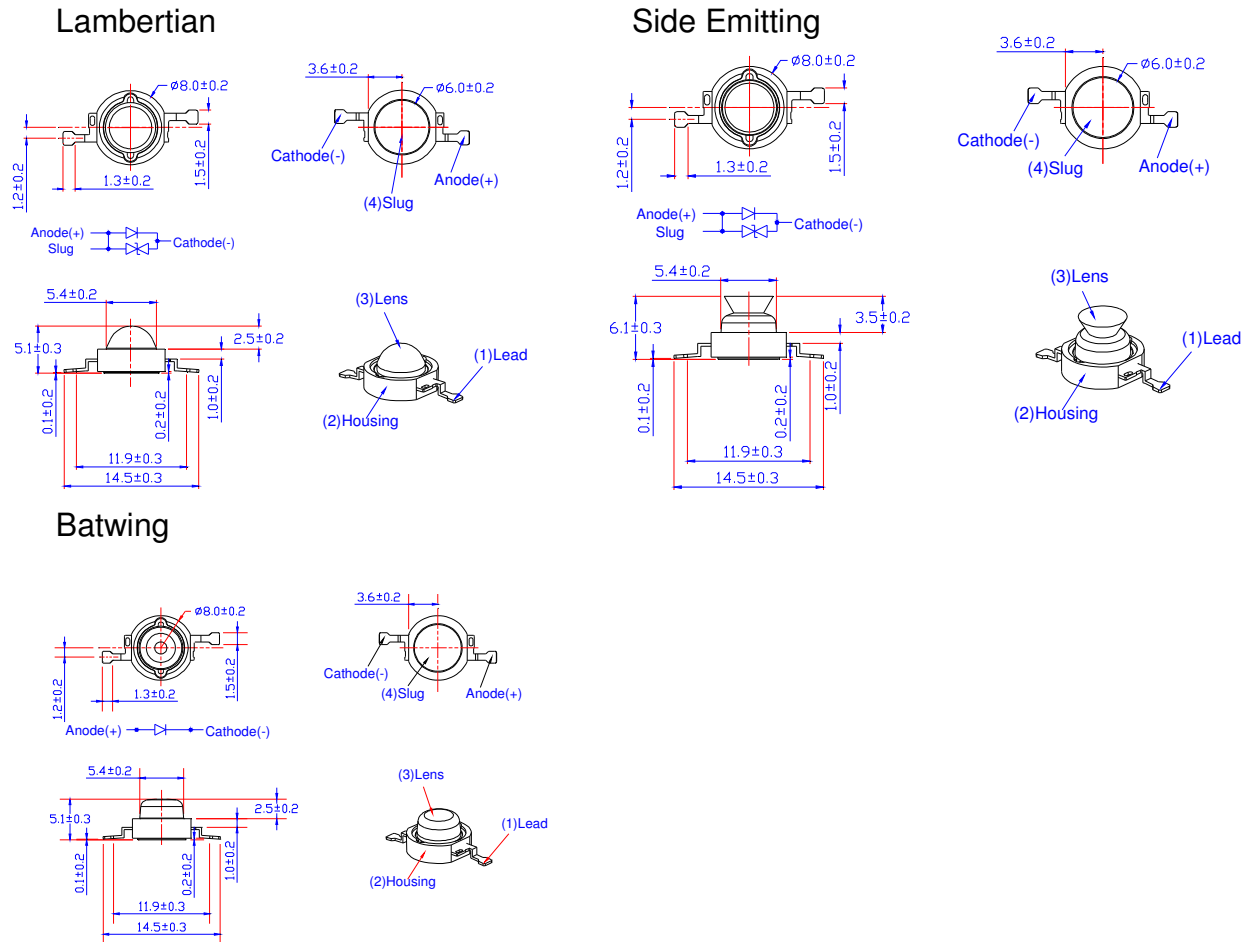
---

### Environmental Compliance

Edixeon<sup>®</sup> A series are compliant to the Restriction of Hazardous Substances Directive or RoHS. The restricted materials including lead, mercury cadmium hexavalent chromium, polybrominated biphenyls (PBB) and polybrominated diphenyl ether (PBDE) are not used in Edixeon<sup>®</sup> A series to provide an environmentally friendly product to the customers.

## LED Package Dimensions and Polarity

### Lambertian, Side Emitting, Batwing, and Focusing Emitter Type



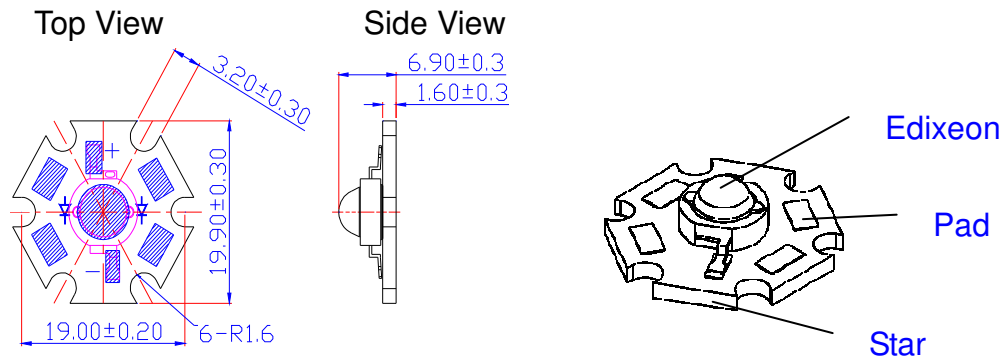
< Figure 1. Edixeon<sup>®</sup> A series dimensions >

#### Notes:

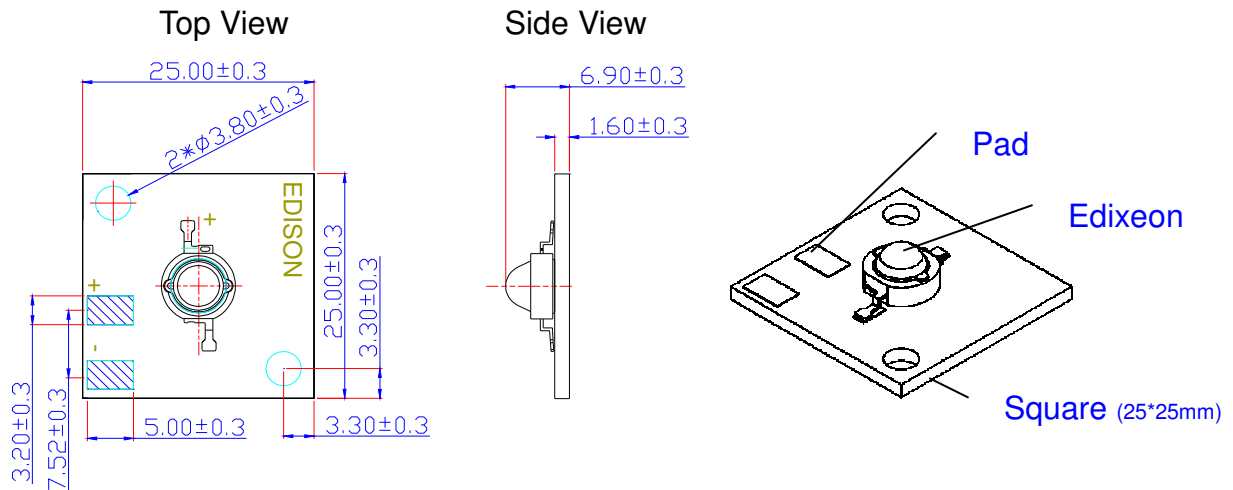
1. All dimensions are in mm.
2. It is strongly recommended that the temperature of lead dose exceed  $55^{\circ}\text{C}$ .
3. Lambertian and side emitting series slug has polarity as anode.
4. It is important that the slug can't contact aluminum surface, It is strongly recommended that there should coat a uniform electrically isolated heat dissipation film on the aluminum surface.

## LED Package with Star Dimensions and Polarity

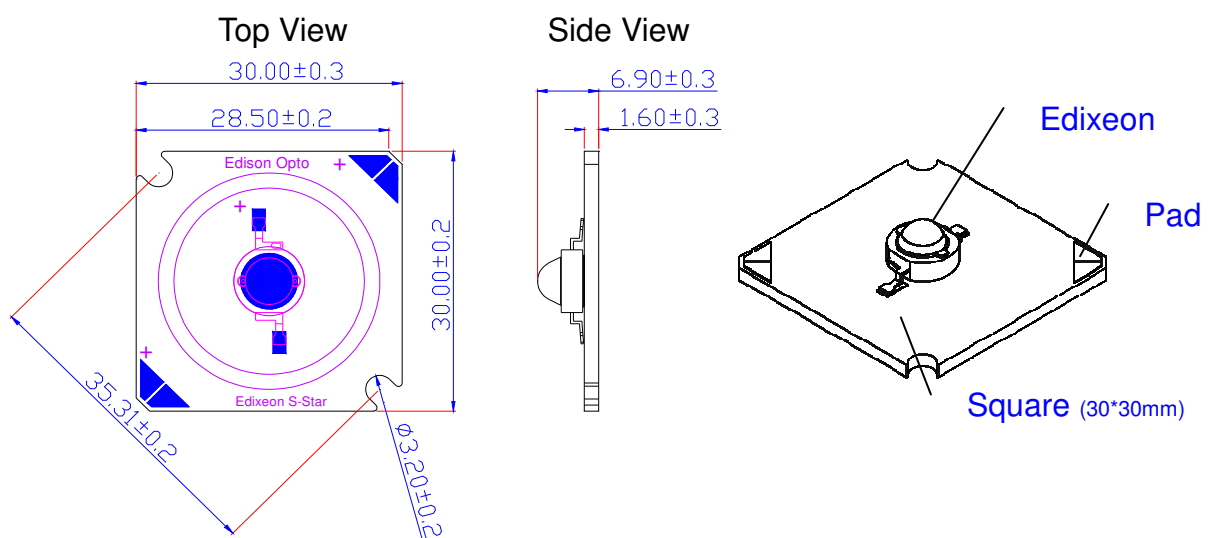
### EDSx-xxxx-xx-Ax16



### EDSx-xxxx-xx-Bx16



### EDSx-xxxx-xx-Cx16



<Figure 2. Edixeon® Star dimensions>

#### Notes:

- 1.All Dimensions are in mm.

## Absolute Maximum Ratings

The following tables describe flux of Edixeon<sup>®</sup> A series under various current and different colors.

< Table 2. Absolute maximum ratings for Edixeon<sup>®</sup> A series >

Parameter	Rating(1W)	Rating(3W)	Unit	Symbol
DC Forward Current	350	700	mA	I <sub>F</sub>
Peak pulse current;(tp ≤ 100μs, Duty cycle=0.25)	700	1,000	mA	
Reverse Voltage	5	5	V	V <sub>R</sub>
Forward Voltage	5	5	V	V <sub>F</sub>
LED junction Temperature ( at DC Forward Current )	125	125	°C	T <sub>J</sub>
Operating Temperature	-30 ~ +110	-30 ~ +110	°C	
Storage Temperature	-40 ~ +120	-40 ~ +120	°C	
ESD Sensitivity (Lambertian & Side Emitting)	4,000	4,000	V	
ESD Sensitivity ( Amber)	--	500	V	
ESD Sensitivity ( Batwing & Focusing)	500	--	V	
Manual Soldering Time at 260°C (Max.)	5	5	Sec.	

### Notes:

1. Proper current derating must be observed to maintain junction temperature below the maximum at all time.
2. LEDs are not designed to be driven in reverse bias.
3. tp: Pulse width time

The following tables describe thermal resistance of Edixeon<sup>®</sup> A series under various current and different colors

< Table 3. Temperature Coefficient of Forward Voltage & Thermal Resistance Junction to Case Characteristics at T<sub>J</sub>=25°C for 1W Edixeon<sup>®</sup> A series>

Lens Item	Part Name	Color	$\Delta V_F/\Delta T$		R $\theta_{J-B}$	
			Typ.	Unit	Typ.	Unit
Lambertian	EDEW-1LAx	Cool White	-2	mV/°C	15	°C/W
	EDEH-1LAx-E1	Neutral White	-2	mV/°C	15	°C/W
	EDEX-1LAx-E1	Warm White	-2	mV/°C	15	°C/W
	EDER-1LA3	Red	-2	mV/°C	15	°C/W
	EDEA-1LA3	Amber	-2	mV/°C	15	°C/W
	EDET-1LA2	True Green	-2	mV/°C	15	°C/W
	EDEB-1LA5	Blue	-2	mV/°C	15	°C/W
Lens Item	Part Name	Color	$\Delta V_F/\Delta T$		R $\theta_{J-B}$	
			Typ.	Unit	Typ.	Unit
Side Emitting						
Batwing	EDEW-1xA5	Cool White	-2	mV/°C	15	°C/W
Focusing						

< Table 4. Temperature Coefficient of Forward Voltage & Thermal Resistance Junction to Case Characteristics at T<sub>J</sub>=25°C for 3W Edixeon<sup>®</sup> A series>

Lens Item	Part Name	Color	$\Delta V_F/\Delta T$		R $\theta_{J-B}$	
			Typ.	Unit	Typ.	Unit
Lambertian	EDEW-3LA1-1	Cool White	-2	mV/°C	15	°C/W
	EDEH-3LA1-E3	Neutral White	-2	mV/°C	15	°C/W
	EDEX-3LA1-E3	Warm White	-2	mV/°C	15	°C/W
	EDER-3LA3-1	Red	-2	mV/°C	15	°C/W
	EDEA-3LA3	Amber	-2	mV/°C	15	°C/W
	EDET-3LA1-1	True Green	-2	mV/°C	15	°C/W
	EDEB-3LA1-1	Blue	-2	mV/°C	15	°C/W



### Luminous Flux Characteristics

The following tables describe flux of Edixeon<sup>®</sup> A series under various current and different colors

< Table 5. Luminous flux characteristics at  $I_F=350\text{mA}$  and  $T_J=25^\circ\text{C}$  for 1W Edixeon<sup>®</sup> A series >

Lens Item	Part Name	Color	Flux Typ.	Unit
Lambertian	EDEW-1LA5-F1	Cool White	110.0	lm
	EDEW-1LA5-B1	Cool White	100.0	lm
	EDEH-1LA5-E1	Neutral White	85.0	lm
	EDEX-1LA5-E1	Warm White	75.0	lm
	EDEW-1LA5-D1	Cool White	50.0	lm
	EDEH-1LA5-D1	Neutral White	40.0	lm
	EDEX-1LA5-D1	Warm White	35.0	lm
	EDEW-1LA1	Cool White	90.0	lm
	EDET-1LA2	True Green	70.0	lm
	EDER-1LA3	Red	50.0	lm
	EDEA-1LA3	Amber	45.0	lm
	EDEB-1LA5	Blue	20.0	lm
	Lens Item	Part Name	Color	Flux Typ.
Side emitting Batwing Focusing	EDEW-1xA5	Cool White	75.0	lm

< Table 6. Luminous flux characteristics at  $I_F=700\text{mA}$  and  $T_J=25^\circ\text{C}$  : for 3W Edixeon<sup>®</sup> A series >

Lens Item	Part Name	Color	Flux Typ.	Unit
	EDEW-3LA1-1	Cool White	170.0	lm
	EDEH-3LA1-E3	Neutral White	150.0	lm
	EDEX-3LA1-E3	Warm White	130.0	lm
	EDEW-3LA1-D3	Cool White	75.0	lm
Lambertian	EDEH-3LA1-D3	Neutral White	65.0	lm
	EDEX-3LA1-D3	Warm White	60.0	lm
	EDER-3LA3-1	Red	85.0	lm
	EDEA-3LA3	Amber	85.0	lm
	EDET-3LA1-1	True Green	120.0	lm
	EDEB-3LA1-1	Blue	30.0	lm

**Notes:**

1. Flux is measured with an accuracy of  $\pm 10\%$
2. All cool white, neutral white, warm white, true green and blue emitters are built with InGaN
3. All red and amber emitters are built with AlGaInP

## Forward Voltage Characteristics

The following tables describe forward voltage of Edixeon® A series under various current.

< Table 7. Forward voltage characteristics at  $I_F=350\text{mA}$  and  $T_J=25^\circ\text{C}$  for 1W Edixeon® A series >

Lens Item	Part Name	Color	$V_F$		Unit
			Min.	Max.	
Lambertian	EDEW-1LA5	Cool White	3.1	4.0	V
	EDEW-1LA1	Cool White	3.1	4.0	V
	EDEW-1LA5-x1	Cool White	3.1	4.0	V
	EDEH-1LA5-x1	Neutral White	3.1	4.0	V
	EDEX-1LA5-x1	Warm White	3.1	4.0	V
	EDER-1LA3	Red	2.0	3.0	V
	EDEA-1LA3	Amber	2.0	3.0	V
	EDET-1LA2	True Green	3.1	4.0	V
	EDEB-1LA5	Blue	3.1	4.0	V
Lens Item	Part Name	Color	$V_F$		Unit
Side emitting Batwing Focusing	EDEW-1xA5	Cool White	Min	Max	V
			3.1	4.0	

<Table 8. Forward voltage characteristics at  $I_F=700\text{mA}$  and  $T_J=25^\circ\text{C}$  for 3W Edixeon® A series >

Lens Item	Part Name	Color	$V_F$		Unit
			Min.	Max.	
Lambertian	EDEW-3LA1-1	Cool White	3.4	4.3	V
	EDEW-3LA1-D3	Cool White	3.4	4.3	V
	EDEH-3LA1-x3	Neutral White	3.4	4.3	V
	EDEX-3LA1-x3	Warm White	3.4	4.3	V
	EDER-3LA3-1	Red	2.0	3.0	V
	EDEA-3LA3	Amber	2.0	3.0	V
	EDET-3LA1-1	True Green	3.4	4.3	V
	EDEB-3LA1-1	Blue	3.4	4.3	V

### Note:

1. Forward voltage is measured with an accuracy of  $\pm 0.1\text{V}$

## JEDEC Information

JEDEC is used to determine what classification level should be used for initial reliability qualification. Once identified, the LEDs can be properly packaged, stored and handled to avoid subsequent thermal and mechanical damage during the assembly solder attachment and/or repair operation. The present moisture sensitivity standard contains six levels, the lower the level, the longer the devices floor life. Edixeon® A series are certified at level 4. This means Edixeon® A series have a floor life of 72 hours before Edixeon® A series need to re-baked.

< Table 9. JEDEC characteristics at  $T_J=25^{\circ}\text{C}$  for Edixeon® A series >

Level	Floor Life		Soak Requirements			
	Time	Conditions	Standard		Accelerated Environment	
			Time (hours)	Conditions	Time (hours)	Conditions
4	72hours	$\leq 30^{\circ}\text{C} / 60\% \text{ RH}$	$96^1 +5/-0$	$30^{\circ}\text{C} / 60\% \text{ RH}$	$20 +0.5/-0$	$60^{\circ}\text{C} / 60\% \text{ RH}$

Level	Floor Life		Soak Requirements			
	Time	Condition	Standard		Accelerated Equivalent	
			Time(hours)	Condition	Time(hours)	Condition
1	Unlimited	$\leq 30^{\circ}\text{C}/85\% \text{ RH}$	$168 +5/-0$	$85^{\circ}\text{C}/85\% \text{ RH}$		
2	1 year	$\leq 30^{\circ}\text{C}/60\% \text{ RH}$	$168 +5/-0$	$85^{\circ}\text{C}/60\% \text{ RH}$		
2a	4 weeks	$\leq 30^{\circ}\text{C}/60\% \text{ RH}$	$696^1 +5/-0$	$30^{\circ}\text{C}/60\% \text{ RH}$	$120 +1/-0$	$60^{\circ}\text{C}/60\% \text{ RH}$
3	168 hours	$\leq 30^{\circ}\text{C}/60\% \text{ RH}$	$192^1 +5/-0$	$30^{\circ}\text{C}/60\% \text{ RH}$	$40 +5/-0$	$60^{\circ}\text{C}/60\% \text{ RH}$
4	72 hours	$\leq 30^{\circ}\text{C}/60\% \text{ RH}$	$96^1 +5/-0$	$30^{\circ}\text{C}/60\% \text{ RH}$	$20 +5/-0$	$60^{\circ}\text{C}/60\% \text{ RH}$
5	48 hours	$\leq 30^{\circ}\text{C}/60\% \text{ RH}$	$72^1 +5/-0$	$30^{\circ}\text{C}/60\% \text{ RH}$	$15 +5/-0$	$60^{\circ}\text{C}/60\% \text{ RH}$
5a	24 hours	$\leq 30^{\circ}\text{C}/60\% \text{ RH}$	$48^1 +5/-0$	$30^{\circ}\text{C}/60\% \text{ RH}$	$10 +5/-0$	$60^{\circ}\text{C}/60\% \text{ RH}$
6	Time on label (TOL)	$\leq 30^{\circ}\text{C}/60\% \text{ RH}$	TOL	$30^{\circ}\text{C}/60\% \text{ RH}$		

### Note:

- The standard soak time includes a default value of 24 hours for semiconductor manufacturer's exposure time (MET) between bake and bag, and includes the maximum time allowed out of the bag at the distributor's facility.

## Reliability Items and Failure Measures

### Reliability test

The following table describes operating life, mechanical, and environmental tests performed on Edixeon® A series package.

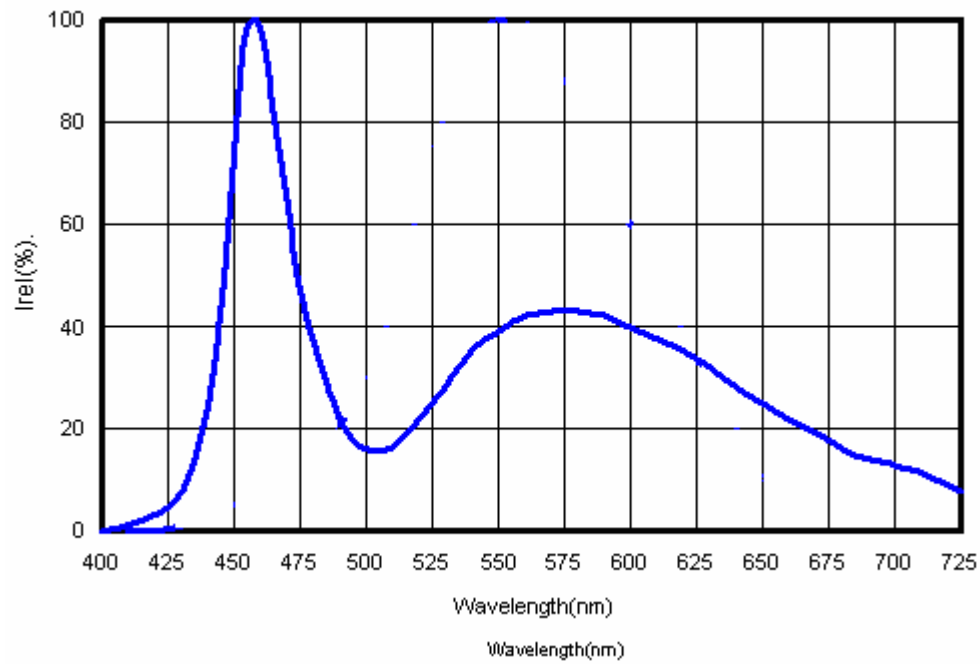
< Table 10. Operating life, mechanical, and environmental characteristics and  $T_J=25^{\circ}\text{C}$  for Edixeon® A series >

Stress Test	Stress Conditions	Stress Duration	Failure Criteria
Room Temperature Operating Life	$25^{\circ}\text{C}$ , $I_F = I_{F \text{ Max DC}}$ (Note 1)	1,000 hours	Note 2
High Temperature High Humidity	$85^{\circ}\text{C}$ / 85%RH	1,000 hours	Note 2
Temperature Cycle	$-40^{\circ}\text{C}/100^{\circ}\text{C}$ ,30 min dwell / <5min transfer	500 cycles	Note 2
High Temperature Storage Life	$110^{\circ}\text{C}$	1,000 hours	Note 2
Low Temperature Storage Life	$-40^{\circ}\text{C}$	1,000 hours	Note 2
Thermal Shock	$-40 / 125^{\circ}\text{C}$ , 15 min dwell < 10 sec transfer	1,000 cycles	No catastrophics
Mechanical Shock	1500 G, 0.5 msec pulse, 5 shocks, each of 6 axis		No catastrophics
Natural Drop	On concrete from 1.2 m, 3X		No catastrophics
Variable Vibration Frequency	10-2000-10 Hz, log or linear sweep rate, 20 G about 1 min, 1.5 mm, 3X/axis		No catastrophics
Solder Heat Resistance (SHR)	$260^{\circ}\text{C} \pm 5^{\circ}\text{C}$ , 10 sec		No catastrophics

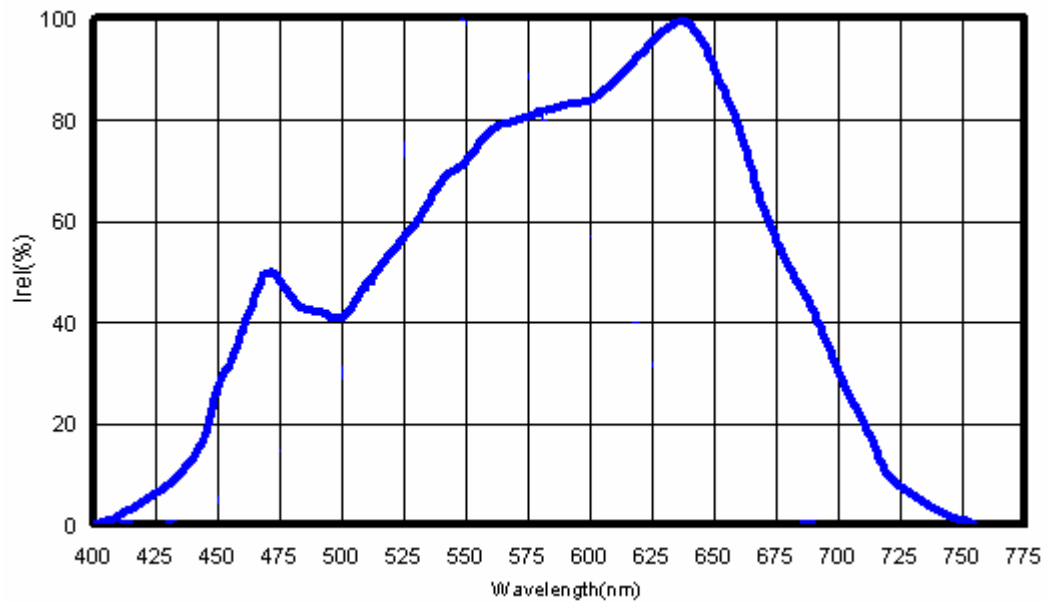
#### Notes:

1. Depending on the maximum derating curve.
2. Failure Criteria:
  - Electrical failures
  - $V_F$  shift  $\geq 10\%$
  - Light Output Degradation
  - %  $I_v$  shift  $\geq 30\%$  @1,000hrs or 200cycle
  - Visual failures
  - Broken or damaged package or lead
  - Solderability < 95% wetting
  - Dimensions out of tolerance

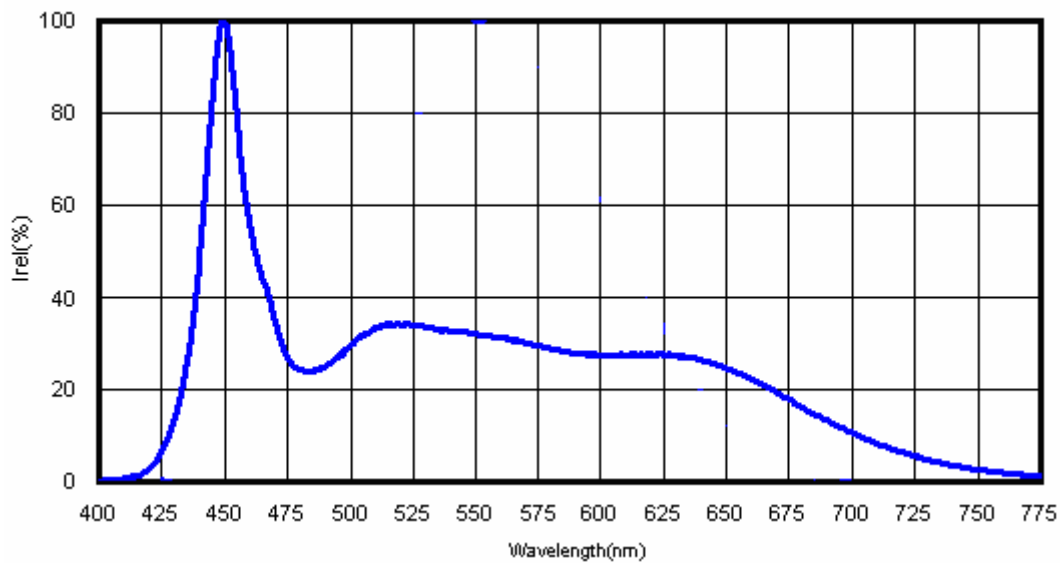
### Color Spectrum and Radiation Pattern



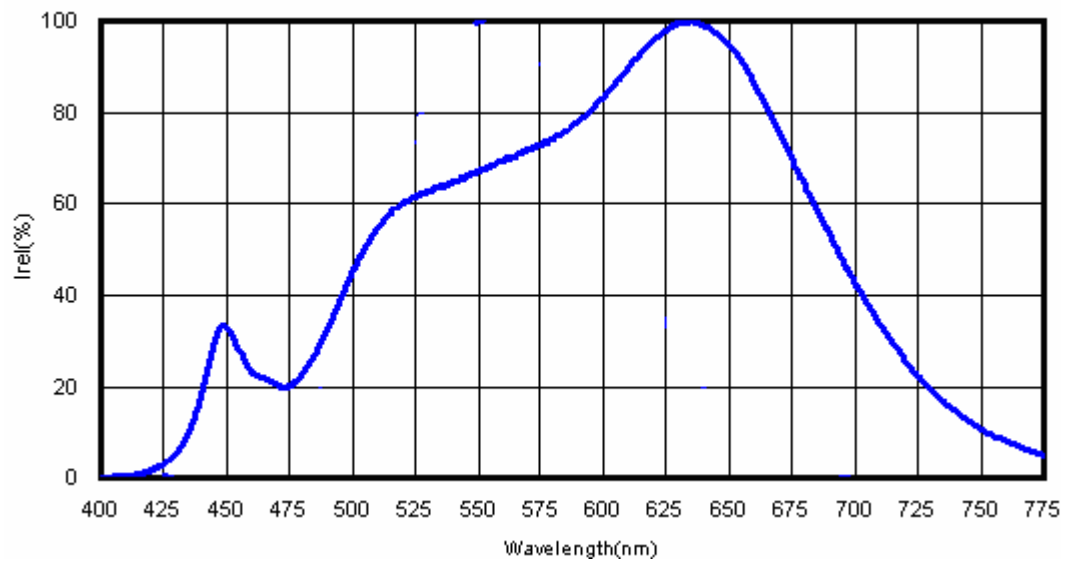
<Figure 3. Cool White color spectrum at  $T_J = 25^\circ\text{C}$ .for Edixeon<sup>®</sup> A series >



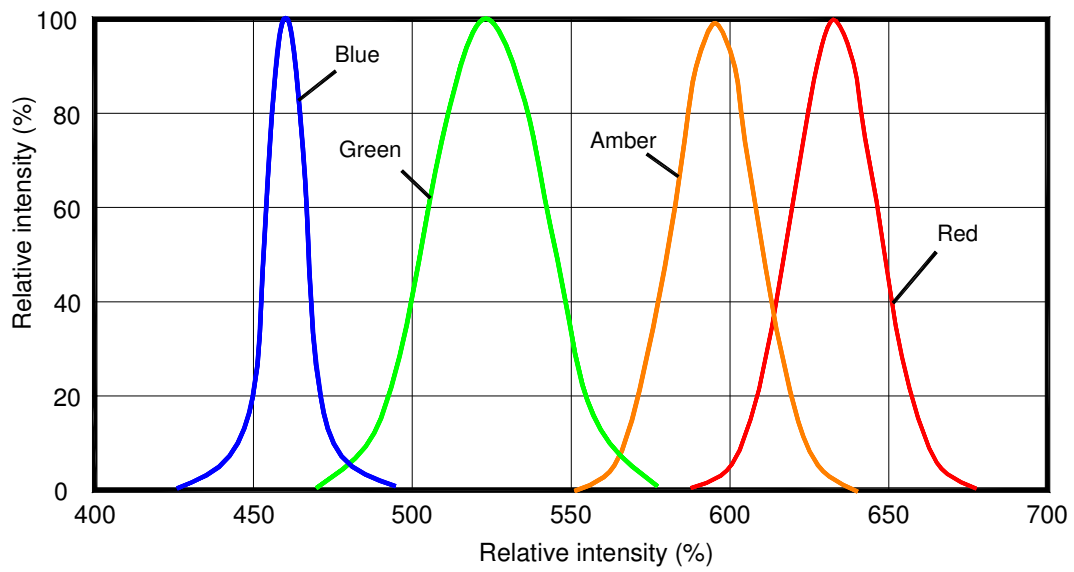
< Figure 4. Neutral White and Warm White color spectrum at  $T_J = 25^\circ\text{C}$ .for Edixeon<sup>®</sup> A series >



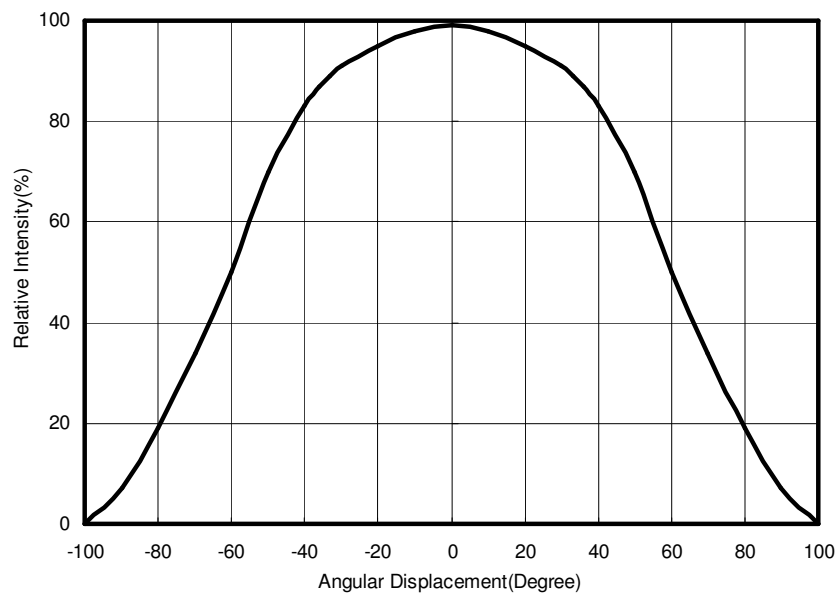
< Figure 5. Color spectrum of typical CCT, standard eyes response to dotted curve line at  $T_j=25^\circ\text{C}$ . for xLA5-Dx Edixeon® A series Cool White >



< Figure 6. Color spectrum of typical CCT, standard eyes response to dotted curve line at  $T_j=25^\circ\text{C}$ . for xLA5-Dx Edixeon® A series Neutral White ,and Warm White >

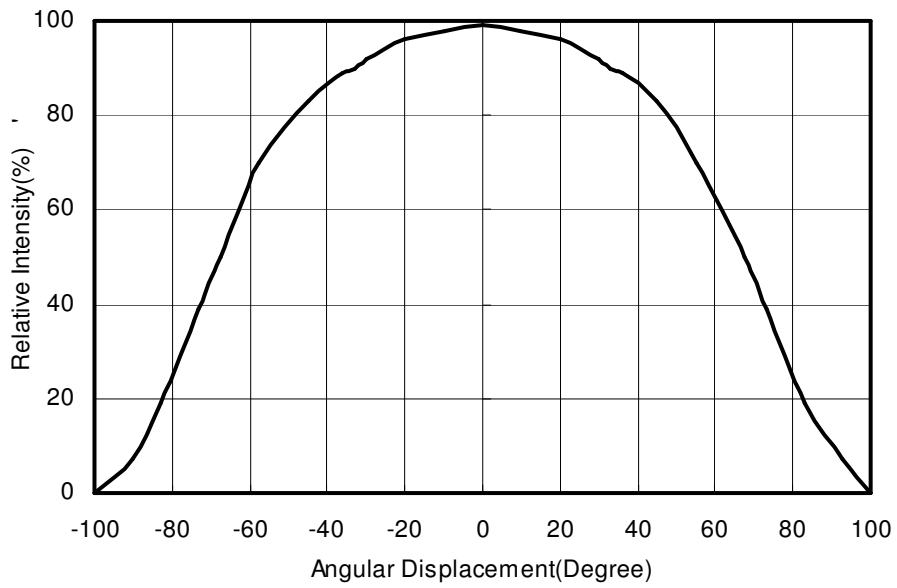


< Figure 7. Red, Amber, True Green, Blue color spectrum at  $T_J = 25^\circ\text{C}$  .for Edixeon<sup>®</sup> A series >

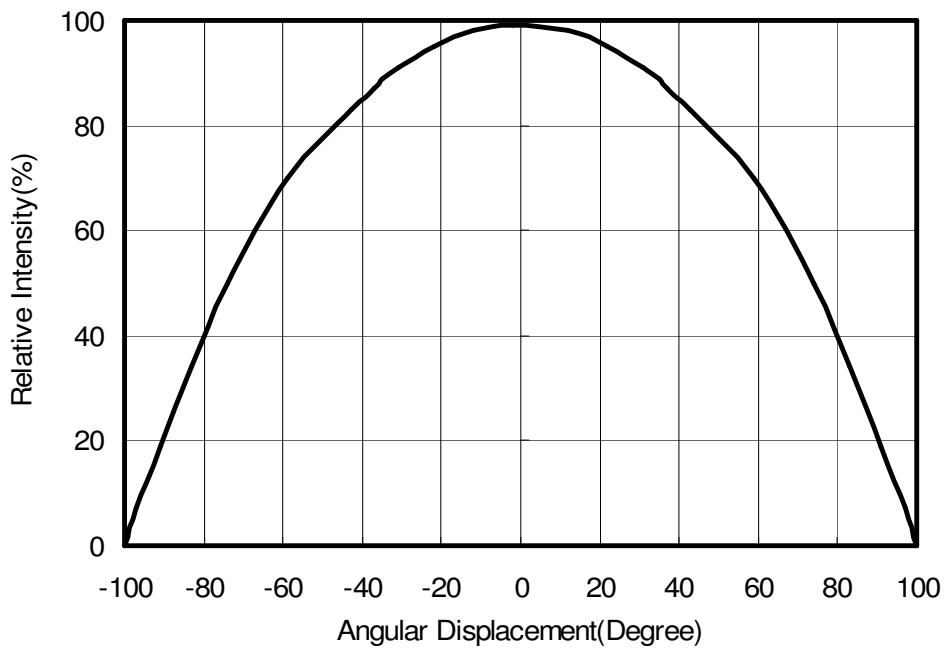


< Figure 8. Lambertian at  $T_J = 25^\circ\text{C}$  for Red and Amber >

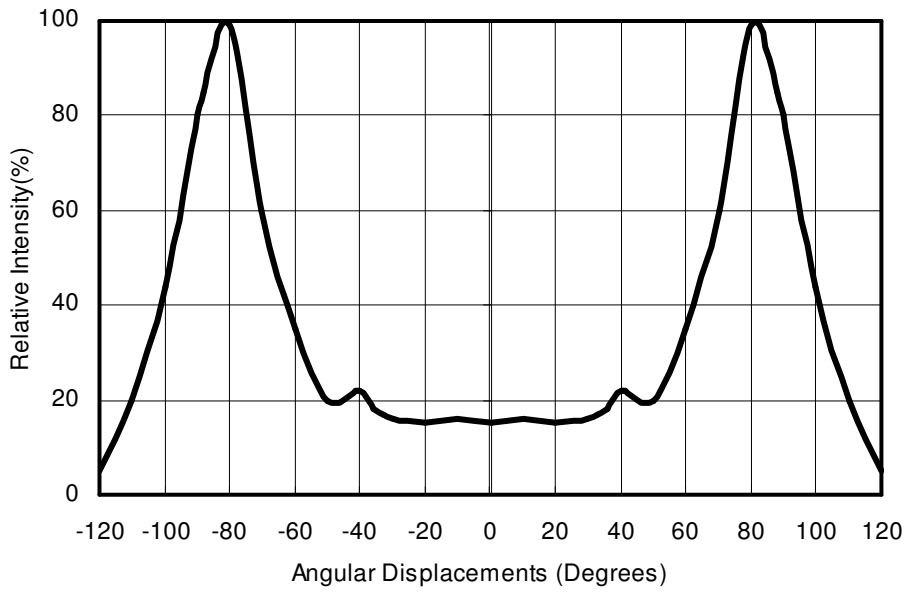




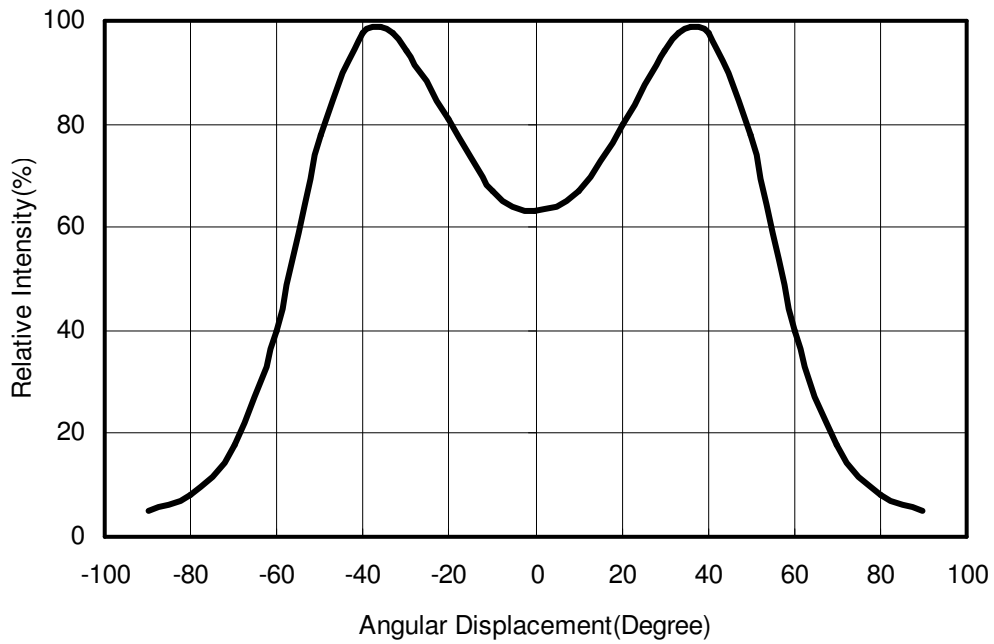
< Figure 9. Lambertian at  $T_J=25^\circ\text{C}$  for Cool White, Neutral White, and Warm White >



< Figure 10. Lambertian at  $T_J=25^\circ\text{C}$  for Blue and True Green >



<Figure 11. Side emitting at  $T_j=25^\circ\text{C}$  for Cool White.>



<Figure 12. Batwing at  $T_j=25^\circ\text{C}$  for Cool White.>

### Color Temperature or Dominant Wavelength Characteristics $T_J=25^\circ\text{C}$

< Table 11. Dominant wavelength or color temperature characteristics at  $T_J=25^\circ\text{C}$  for 1W Edixeon<sup>®</sup> A series >

Lens Item	Part Name	Color	$\lambda_d$ / CCT		Unit
			Min.	Max.	
Lambertian	EDEW-1LA5	Cool White	5,000	10,000	K
	EDEW-1LA1	Cool White	5,000	10,000	K
	EDEW-1LA5-x1	Cool White	5,000	10,000	K
	EDEH-1LA5-x1	Neutral White	3,800	5,000	K
	EDEX-1LA5-x1	Warm White	2,670	3,800	K
	EDER-1LAx	Red	620	630	nm
	EDEA-1LAx	Amber	585	595	nm
	EDET-1LAx	True Green	515	535	nm
	EDEB-1LAx	Blue	455	475	nm
Lens Item	Part Name	Color	CCT		Unit
			Min.	Max.	
Side Emitting Batwing Focusing	EDEW-1xA5	Cool White	5,000	10,000	K

#### Notes:

1. Wavelength is measured with an accuracy of  $\pm 0.5\text{nm}$
2. CCT is measured with an accuracy of  $\pm 200\text{K}$

< Table 12. Color temperature characteristics at  $T_J=25^\circ\text{C}$  for 3W Edixeon<sup>®</sup> A series >

Lens Item	Part Name	Color	CCT		Unit
			Min.	Max.	
Lambertian	EDEW-3LA1-1	Cool White	5,000	10,000	K
	EDEW-3LA5-F3	Cool White	5,000	10,000	K
	EDEW-3LA1-x3	Cool White	5,000	10,000	K
	EDEH-3LA1-x3	Neutral White	3,800	5,000	K
	EDEX-3LA1-x3	Warm White	2,670	3,800	K
	EDER-3LA3-1	Red	620	630	nm
	EDEA-3LA3	Amber	585	595	nm
	EDET-3LA1-1	True Green	515	535	nm
	EDEB-3LA1-1	Blue	455	475	nm

#### Notes:

1. Wavelength is measured with an accuracy of  $\pm 0.5\text{nm}$
2. CCT is measured with an accuracy of  $\pm 200\text{K}$

### Emission Angle Characteristics

< Table 13. Emission angle characteristics at  $T_J = 25^\circ\text{C}$  for 1W Edixeon® A series >

Part Name	Color	$2\theta_{1/2}(\text{Typ.})$			Unit
		Lambertian	Batwing	Focusing	
EDEW-1xA5	Cool White	135	110	80	Deg.
EDEW-1LA1	Cool White	135	--	--	Deg.
EDEW-1LA5-x1	Cool White	135	--	--	Deg.
EDEH-1LA5-x1	Neutral White	135	--	--	Deg.
EDEX-1LA5-x1	Warm White	135	--	--	Deg.
EDER-1LA3	Red	120	--	--	Deg.
EDEA-1LA3	Amber	120	--	--	Deg.
EDET-1LA2	True Green	150	--	--	Deg.
EDEB-1LA5	Blue	150	--	--	Deg.

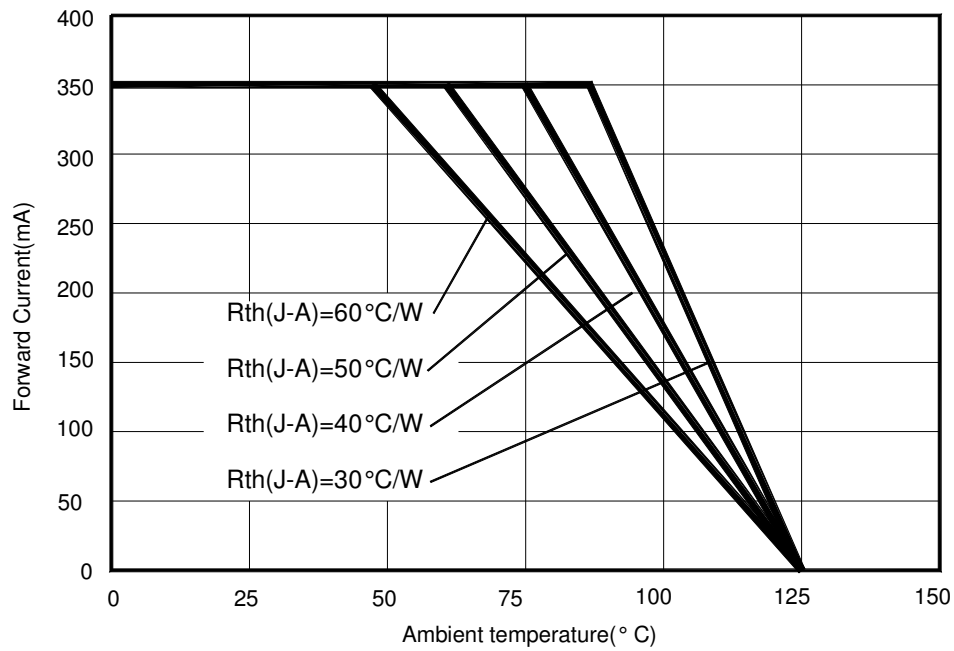
  

Part Name	Color	$\theta_{\text{PEAK}}(\text{Typ.})$		Unit
		Batwing	Side emitting	
EDEW-1xAx	Cool White	$\pm 40$	$\pm 80$	Deg.

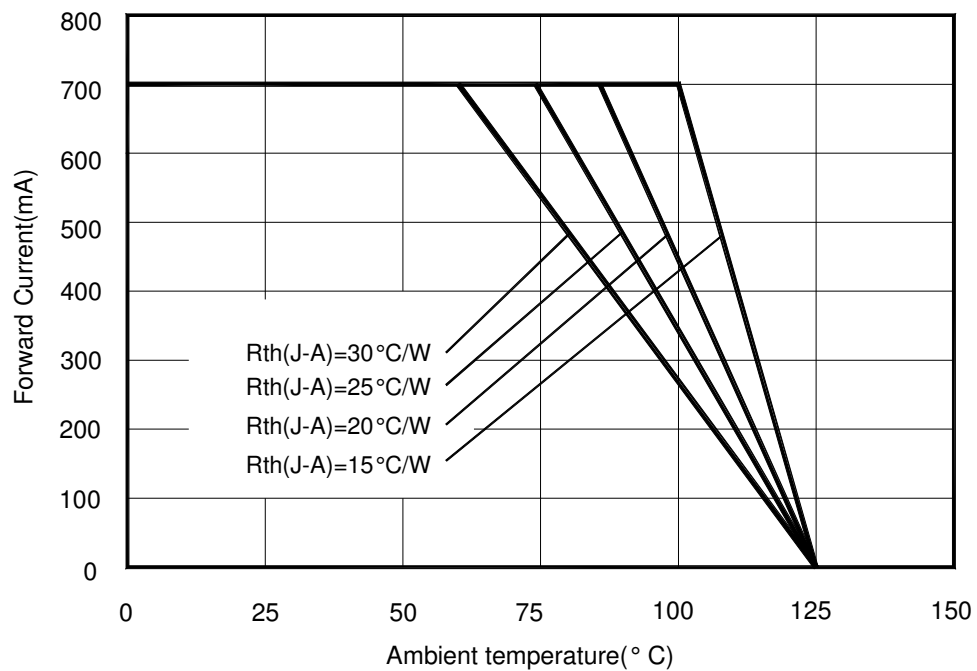
< Table 14. Emission angle characteristics at  $T_J = 25^\circ\text{C}$  for 3W Edixeon® A series >

Part Name	Color	$2\theta_{1/2}$			Unit
		Max.	Typ.	Min.	
EDEW-3LA1-1	Cool White	--	135	--	Deg.
EDEW-3LA5-x3	Cool White	--	135	--	Deg.
EDEW-3LA1-x3	Cool White	--	135	--	Deg.
EDEH-3LA1-x3	Neutral White	--	135	--	Deg.
EDEX-3LA1-x3	Warm White	--	135	--	Deg.
EDER-3LA3-1	Red	--	120	--	Deg.
EDEA-3LA3	Amber	--	120	--	Deg.
EDET-3LA1-1	True Green	--	150	--	Deg.
EDEB-3LA1-1	Blue	--	150	--	Deg.

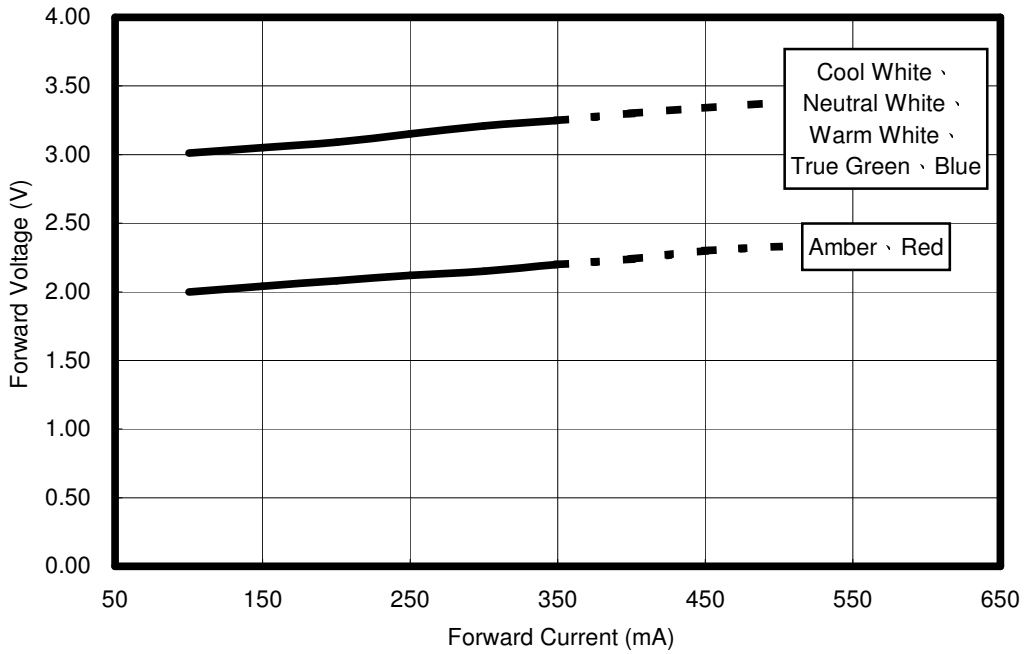
## Optical & Electrical Characteristics



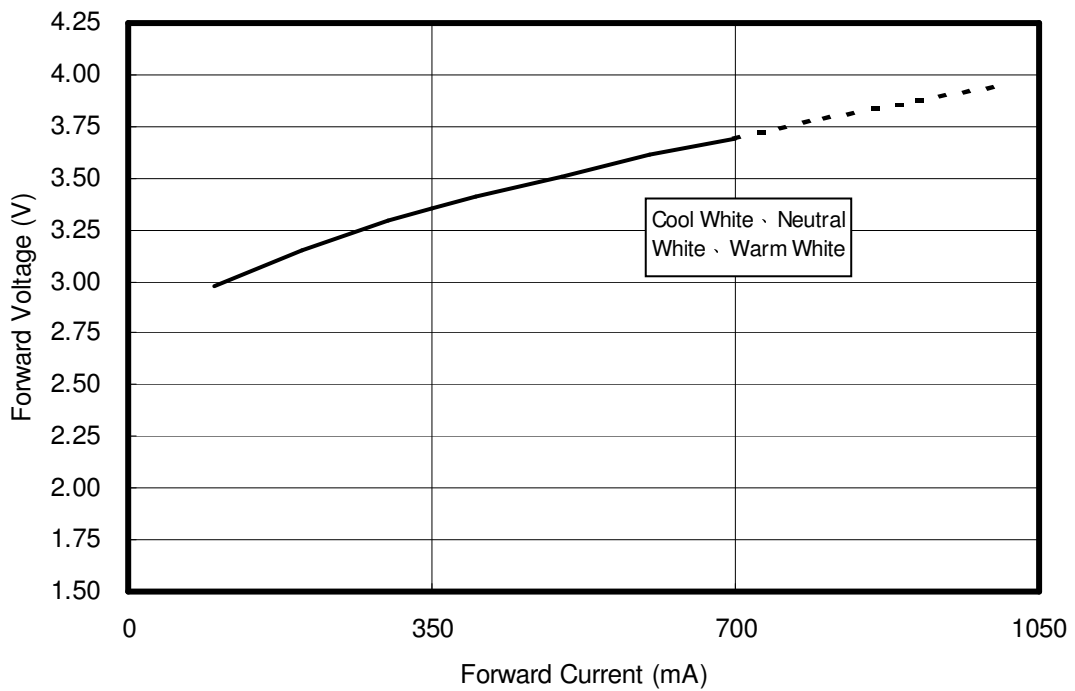
< Figure 13. Operating current & ambient temperature for 1W Edixeon® A series >



< Figure 14. Operating current & ambient temperature for 3W Edixeon® A series >



< Figure 15. Forward current & forward voltage for 1W Edixeon® A series >



< Figure 16. Forward current & forward voltage for 3W Edixeon® A series >

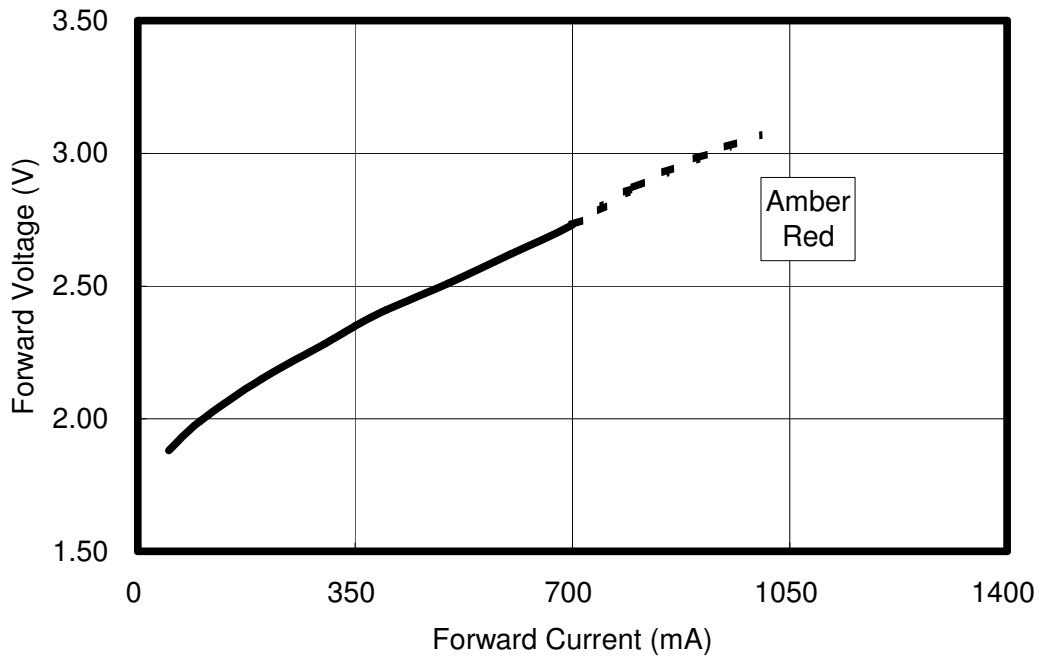
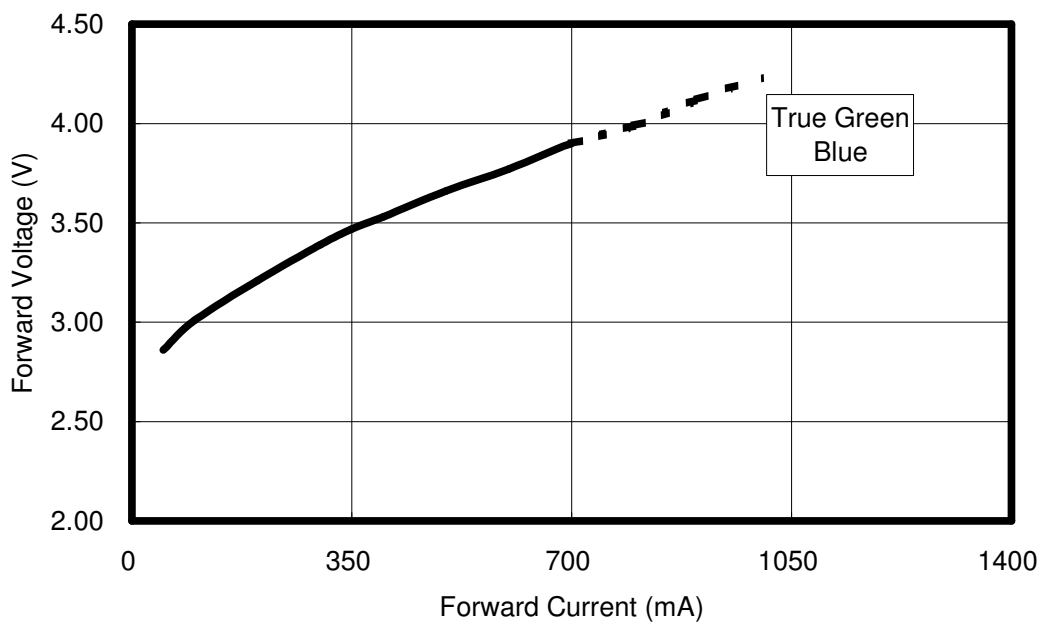
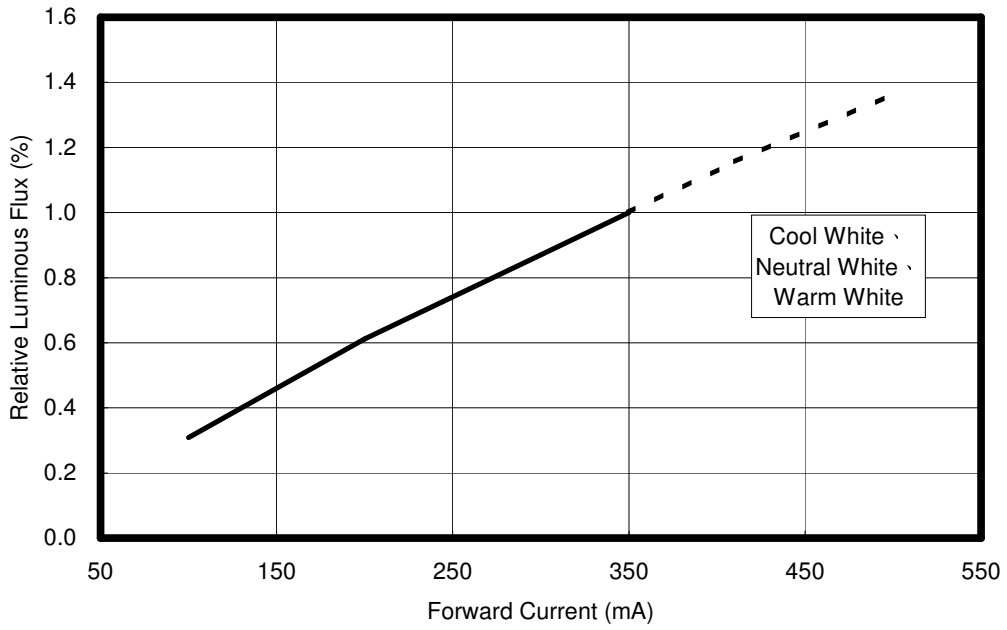


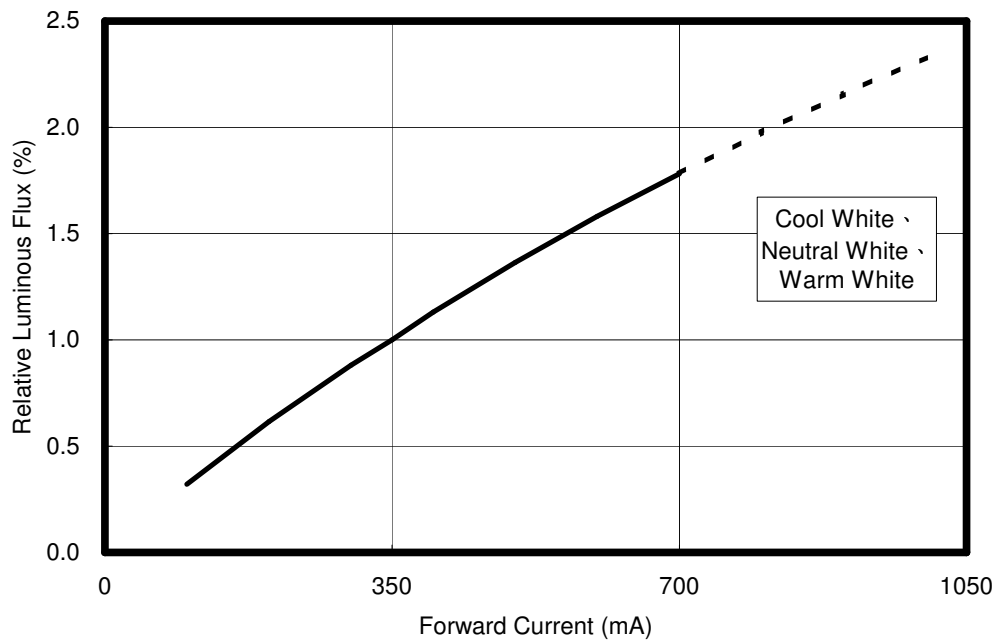
Figure 17. Forward current & forward voltage for 3W Edixeon<sup>®</sup> A series at  $T_J=25^{\circ}\text{C}$  >



< Figure 18. Forward current & forward voltage for 3W Edixeon<sup>®</sup> A series at  $T_J=25^{\circ}\text{C}$  >

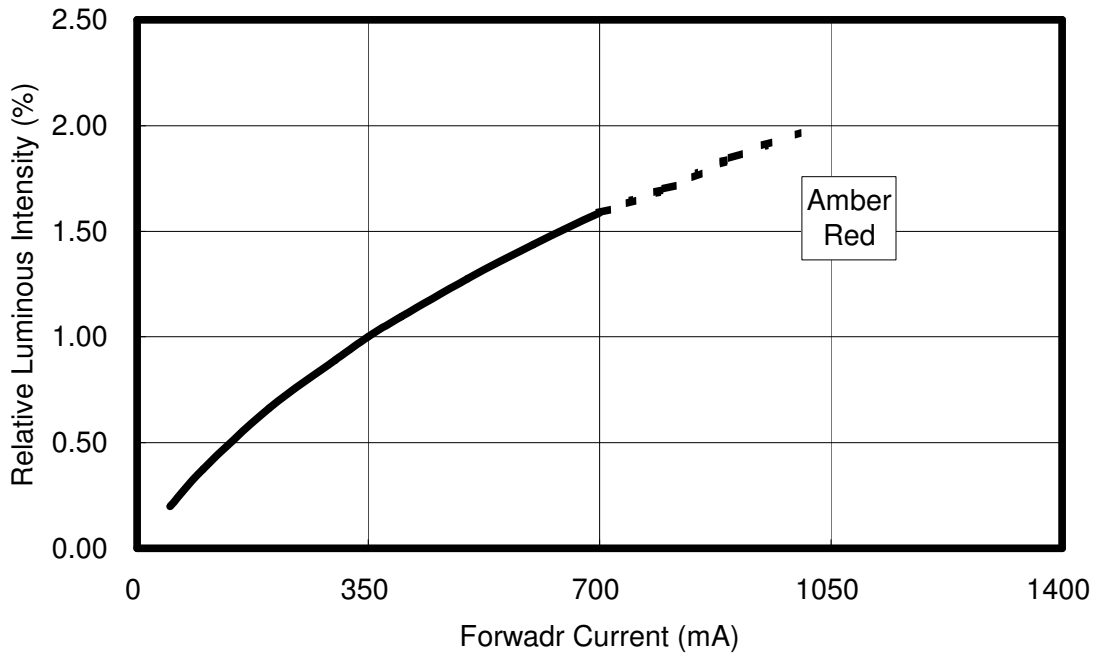


< Figure 19. Forward current & relative luminous at  $T_J=25^\circ\text{C}$  for 1W Edixeon<sup>®</sup> A series >

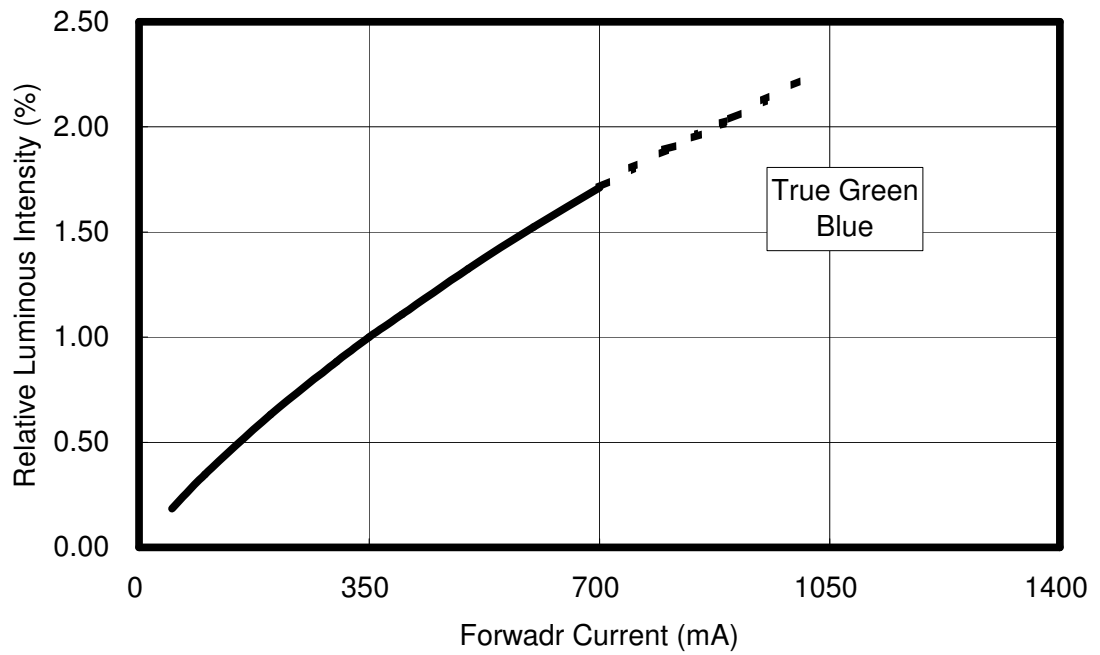


< Figure 20. Forward current & relative luminous at  $T_J=25^\circ\text{C}$  for 3W Edixeon<sup>®</sup> A series >

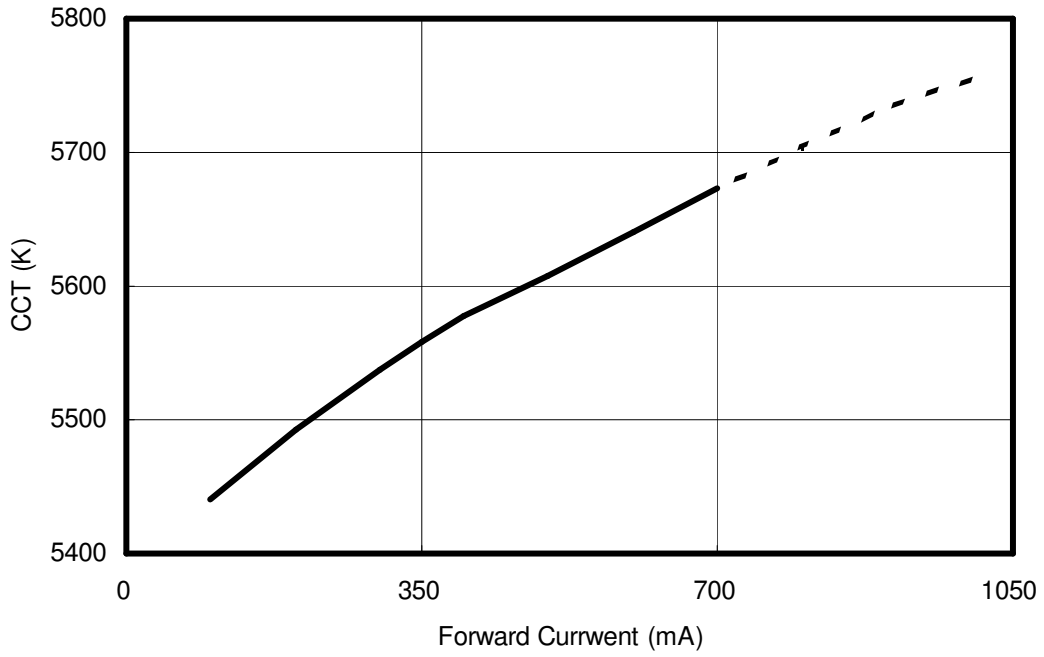




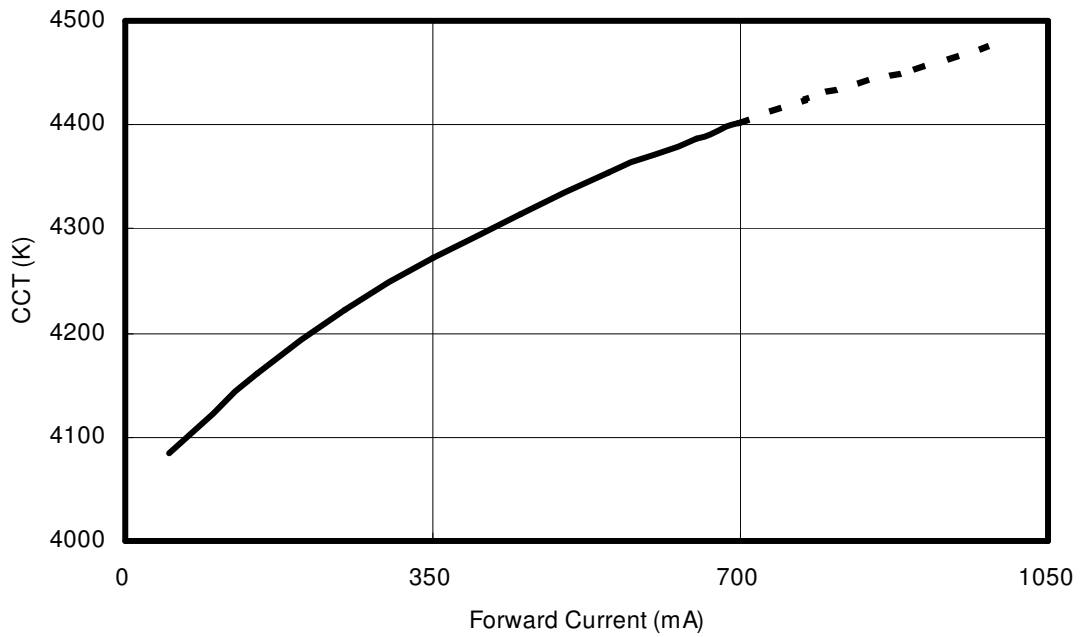
<Figure 21. Forward current & relative luminous for 3W Edixeon® A series at  $T_J=25^\circ\text{C}$ >



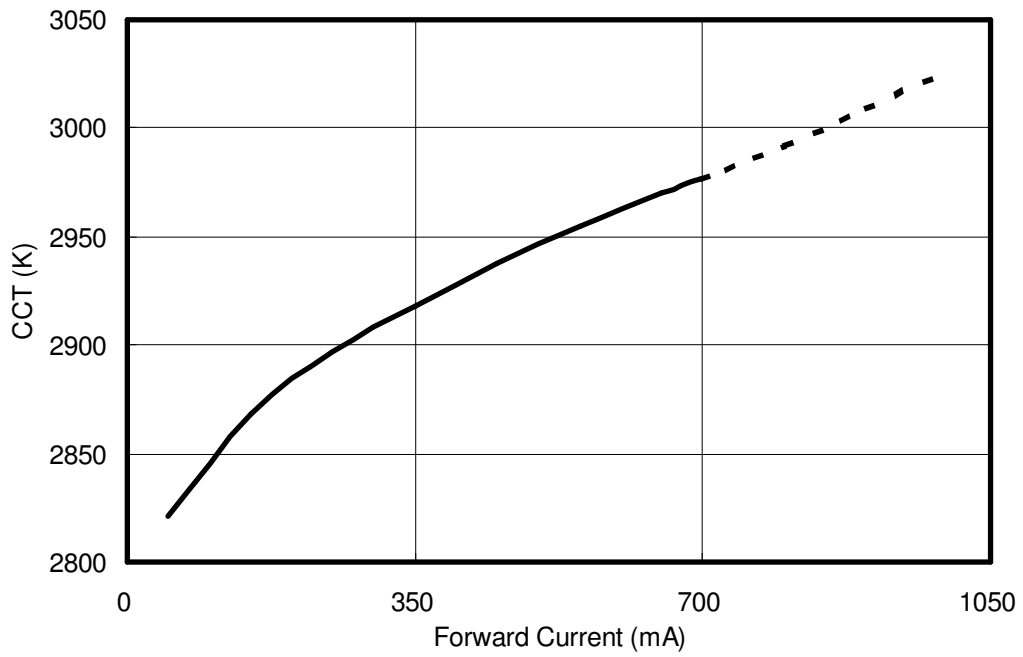
<Figure 22. Forward current & relative luminous for 3W Edixeon® A series at  $T_J=25^\circ\text{C}$ >



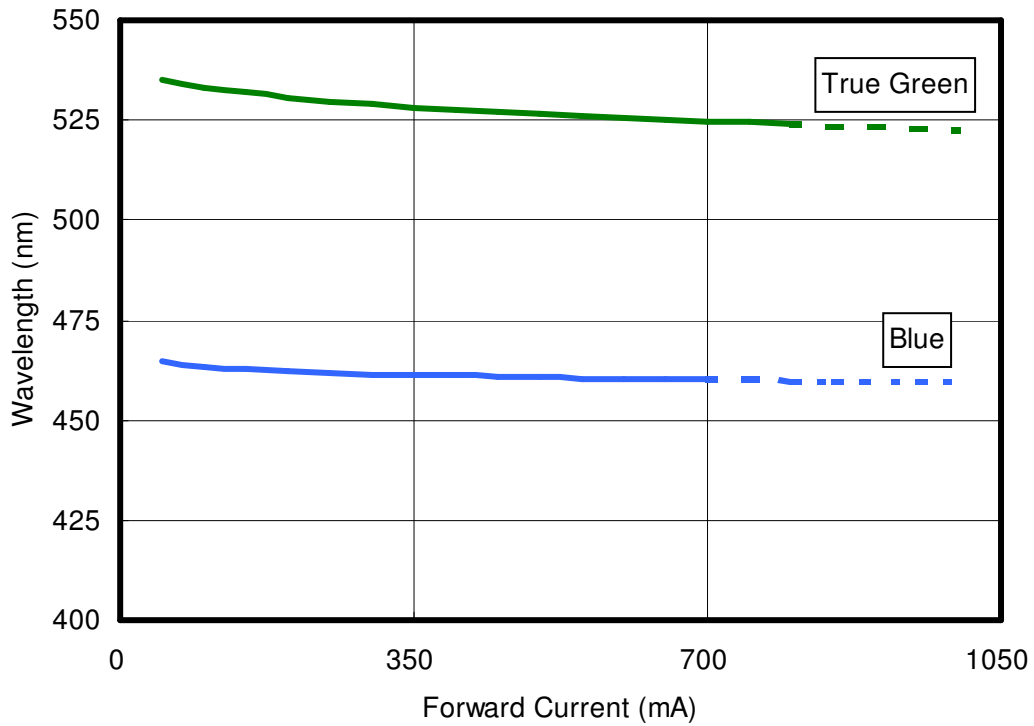
< Figure 23. Forward current & CCT at  $T_J = 25^\circ\text{C}$  for Edixeon<sup>®</sup> A series Cool White >



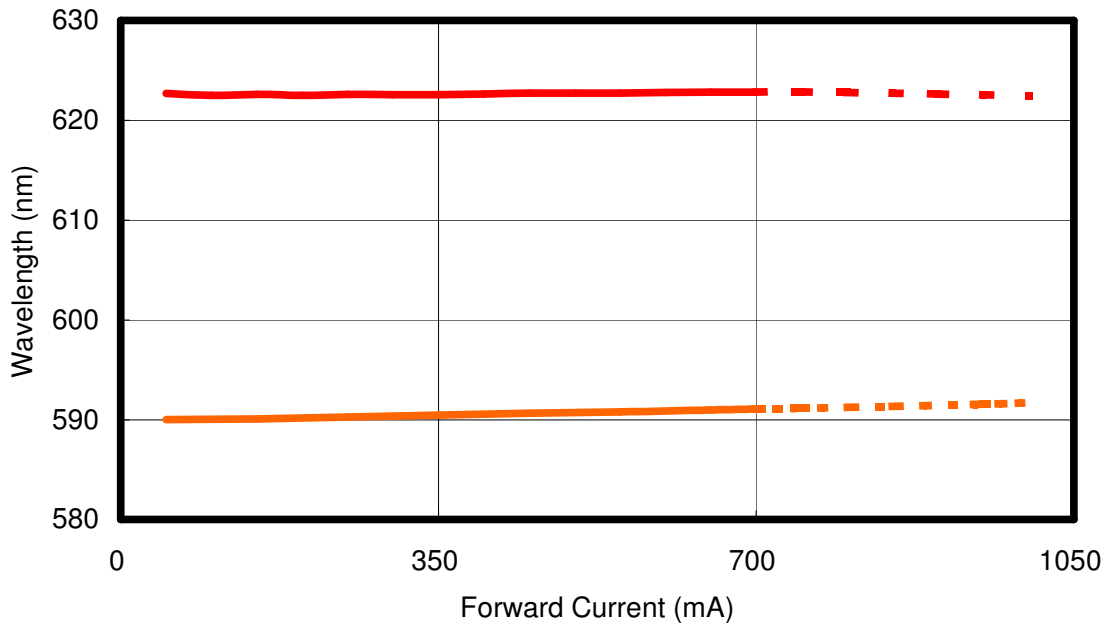
< Figure 24. Forward current & CCT at  $T_J = 25^\circ\text{C}$  for Edixeon<sup>®</sup> A series Neutral White >



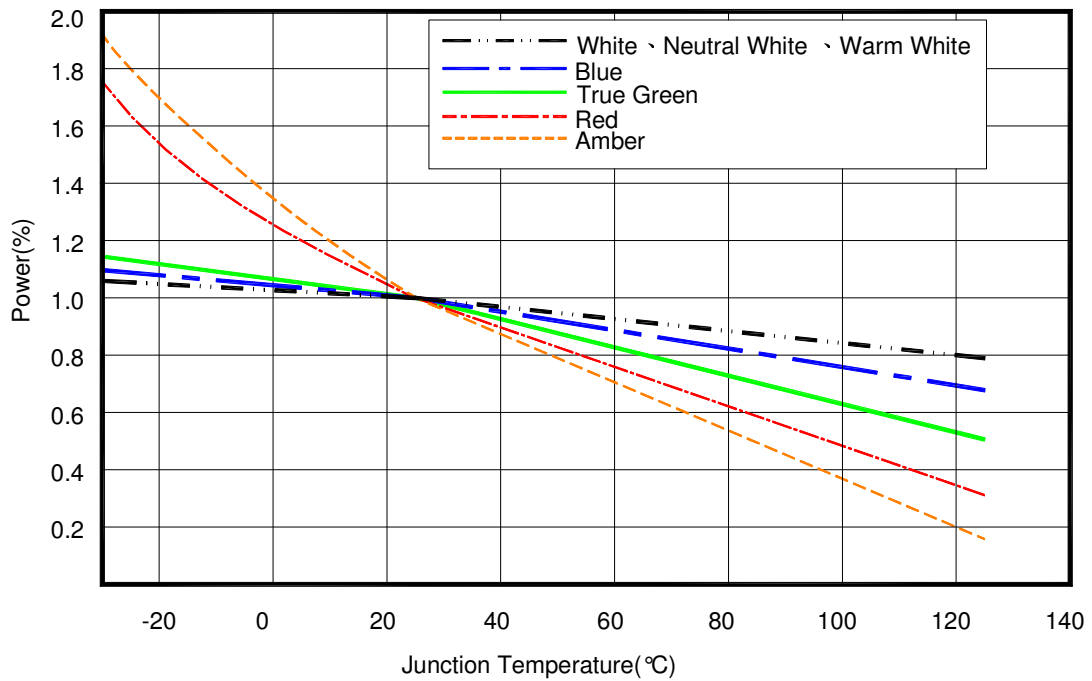
< Figure 25. Forward current & CCT at  $T_j=25^{\circ}\text{C}$  for Edixeon<sup>®</sup> A series Warm White >



< Figure 26. Forward current & wavelength at  $T_j=25^{\circ}\text{C}$  for Edixeon<sup>®</sup> A series True Green and Blue >



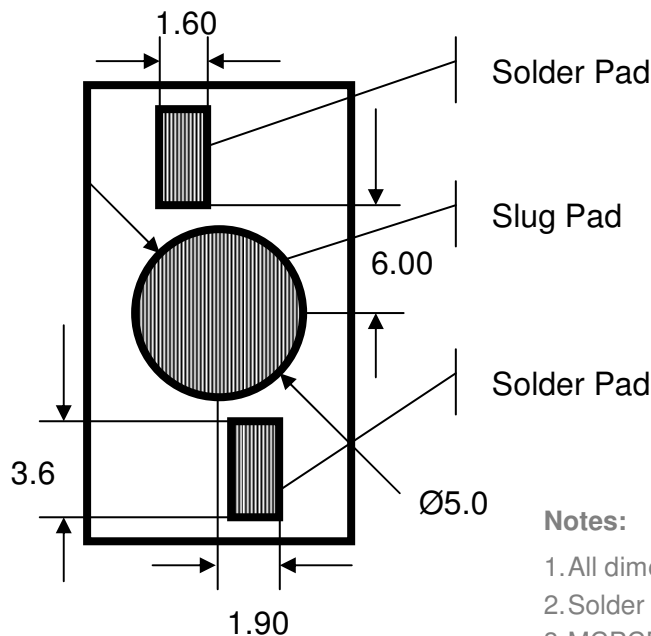
< Figure 27. Forward current & wavelength at  $T_J=25^{\circ}\text{C}$  for Edixeon<sup>®</sup> A series Red and Amber >



< Figure 28. Junction temperature & power rate for Edixeon<sup>®</sup> A series >

## Product Soldering Instructions

The central circle pad at the bottom face of the package provides the main path for heat dissipation from the LED to the heat sink (heat sink contact).



<Figure 29. Pad dimensions>

### Notes:

1. All dimensions are measured in mm.
2. Solder pad cannot be connected to slug pad.
3. MCPCB material with a thermal conductivity greater than 3.0 W/mK.
4. Please avoid touching the Edixeon<sup>®</sup> lens during assembly processes. This may cause pollution or scratch on the surface of lens.
5. Edixeon<sup>®</sup> A series can not be heated over 150°C.

The choice of solder and the application method will dictate the specific amount of solder. For most consistent results, an automated dispensing system or a solder stencil printer is recommended.

Positive results will be used solder thickness that results in 50µm. The lamp can be placed on the PCB simultaneously with any other required SMD and reflow completed in a single step. Automated pick-and-place tools are recommended.

The bottom of the slug, which is electrically connected to anode(+), provides the main path for heat dissipation from LED to the heat-sink.

### Recommend Solder Steps

To prevent mechanical failure of LEDs in the soldering process, a carefully controlled pre-heat and post-cooling sequence is necessary. The heating rate in an IR furnace depends on the absorption coefficients of the material surfaces and on the ratio of the component's mass to its irradiated surface. The temperature of parts in an IR furnace, with a mixture of radiation and convection, cannot be determined in advance.

Temperature measurement may be performed by measuring the temperature of a specific component while it is being transported through the furnace. Influencing parameters on the internal temperature of the component are as follows:

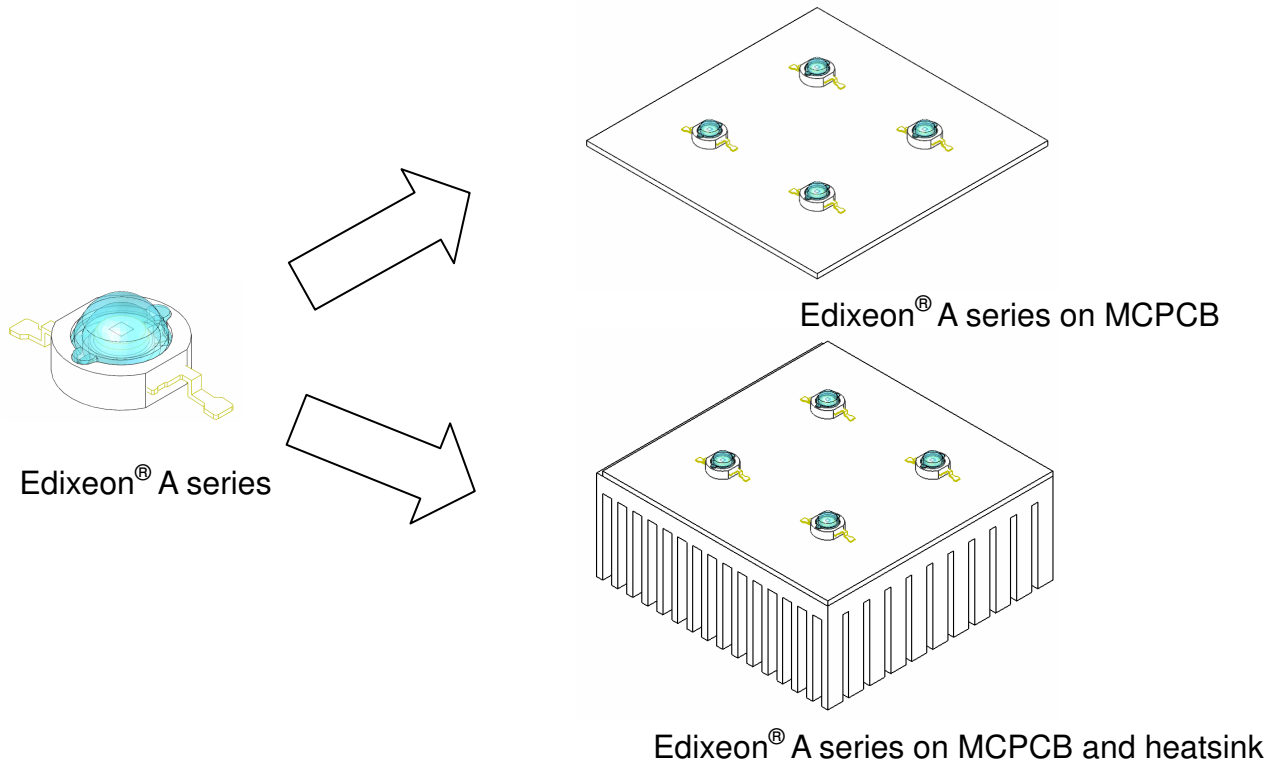
- Time and power
- Mass of the component (for Edixeon<sup>®</sup> A series on MCPCB)
- Size of the component
- Size of the printed circuit board
- Absorption coefficient of the surfaces and MCPCB
- Packing density

Peak temperatures can vary greatly across the PC board during IR processes. The variables that contribute to this wide temperature range include the furnace type and the size, mass and relative location of the components on the board. Profiles must be carefully tested to determine the hottest and coolest points on the board. The hottest and coolest points should fall within the recommended temperatures. The profile of the reflow system should be based on design needs, the selected solder system and the solder-paste manufacturer's recommended reflow profile.

### Product Thermal Application Information

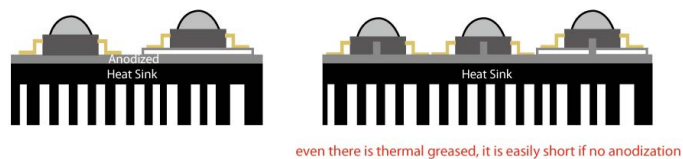
Thermal grease should be evenly spreaded with a thickness <math>< 100\mu\text{m}</math>.

When assembling on MCPCB or heat sink carrier.



< Figure 30. Edixeon® A series heatsink application >

—It is strongly recommended the heat sink should be anodized.

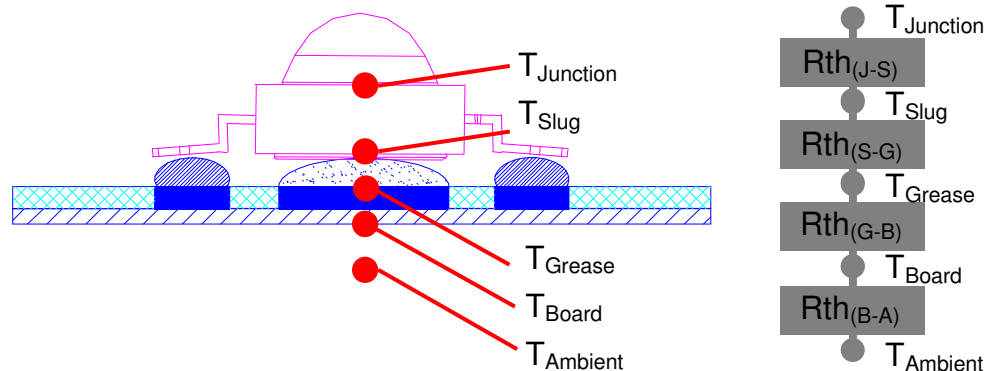


—Please ensure the heat sink is flat enough to prevent the bad heat conductivity.



< Figure 31. Edixeon® A series assemble with heatsink >

## Thermal Resistance Application



$$R_{th(J-A)} = R_{th(J-S)} + R_{th(S-G)} + R_{th(G-B)} + R_{th(B-A)}$$

$$T_{Junction} = T_{Ambient} + R_{th(J-A)} \times P_{Dissipation}$$

$$(T_J = T_A + R_{th(J-A)} \times P_{Dissipation})$$

<Figure 32. Rth and T<sub>J</sub> for Edixeon >

## Suggested Adhesive for Selection(such as thermal grease)

- Ease of use
  - Non-solvent, One-part
- Fast tack free
  - 3 minutes at 25°C
- No corrosion
  - Alcohol type of room temperature vulcanization (RTV)
- Low volatility
  - Low weight loss of silicone volatiles
- Adhesion
  - Excellent adhesion to most materials without use of a primer
- Dielectric properties
  - Cured rubber exhibits good dielectric properties
- Excellent thermal stability and cold resistance
  - Cured rubber provides wide service temperature range



<Table 15. Specification for Adhesive properties >

Specification	Suggested Properties
Take-free time	3~10 minutes
Specific gravity	< 3 g/cm <sup>2</sup>
Thermal conductivity	> 2.5 W/mK
Rth in using	< 1.8 °C/W
Volume resistance	> 1x10 <sup>14</sup>
Lap shear adhesion strength	> 200 N/ cm <sup>2</sup>
Tensile strength	> 4 Mpa

### Thermal Resistance Calculation

The thermal resistance between two points is defined as the ratio of the difference in temperature to the power dissipated. For calculations in the following units used are °C/W. In the case of LEDs, the resistance of two important thermal paths affects the junction temperature:

From the LED junction to the thermal contact at the bottom of the package, this thermal resistance is governed by the package design. It is referred to as the thermal resistance between junction and slug ( $R_{th (J-S)}$ )

From the thermal contact to ambient conditions, this thermal resistance is defined by the path between the slug ,board ,and ambient. It is referred to as the thermal resistance between slug and board ( $R_{th (S-B)}$ ) and between board and ambient ( $R_{th (B-A)}$ ).

The overall thermal resistance between the LED junction and ambient ( $R_{th (J-A)}$ ) can be modeled as the sum of the series resistances  $R_{th (J-S)}$  ,  $R_{th (S-B)}$  ,and  $R_{th (B-A)}$ .

The following will show how to calculate  $R_{th}$  for each part of LED module.

1.  $R_{th(J-S)}$

Assume Edixeon®  $R_{th(J-S)}=10\text{ }^{\circ}\text{C/W}$

2.  $R_{th(S-G)}$

If the thickness of thermal grease is 100um and area is  $(6.4/2)^2\pi\text{ mm}^2$ .

Thermal conductivity of thermal grease is 2.6 W/mK.

The Formula of  $R_{th}$  is 
$$\frac{\text{Thickness(um)}}{\text{Thermal Conductivity (W/mK) x Area(mm}^2\text{)}}$$

$$\text{Therefore } R_{th(S-G)} = \frac{100}{2.6 \times (6.4/2)^2\pi} = 1.2\text{ }^{\circ}\text{C/W}$$

3.  $R_{th(G-B)}$

The  $R_{th}$  of standard MCPCB is 1.5  $^{\circ}\text{C/W}$

4.  $R_{th(B-A)}$

The  $R_{th}$  between board and air is mainly dependent on the total surface area.

$$\text{Therefore } R_{th(B-A)} \doteq \frac{500}{\text{Area(cm}^2\text{)}}$$

$$\text{If Area is } 30\text{cm}^2 \quad R_{th}=16.7 \quad R_{th(J-A)} = 10+1.2+1.5+16.7 = 29.4\text{ }^{\circ}\text{C/W}$$

$$\text{If Area is } 60\text{cm}^2 \quad R_{th}=8.3 \quad R_{th(J-A)} = 10+1.2+1.5+8.3 = 21\text{ }^{\circ}\text{C/W}$$

$$\text{If Area is } 90\text{cm}^2 \quad R_{th}=5.5 \quad R_{th(J-A)} = 10+1.2+1.5+5.5 = 18.2\text{ }^{\circ}\text{C/W}$$

### Junction Temperature Calculation

The total power dissipated by the LED is the product of the forward voltage ( $V_F$ ) and the forward current ( $I_F$ ) of the LED.

The temperature of the LED junction is the sum of the ambient temperature and the product of the thermal resistance from junction to ambient and the power dissipated.

$$T_{\text{Junction}} = T_{\text{Air}} + R_{th(J-A)} \times P_{\text{Dissipation}}$$

If one white Edixeon® in room temperature ( $25^{\circ}\text{C}$ ) operated 350mA and  $V_F=3.3\text{V}$ , the  $P_{\text{Dissipation}}=0.35 \times 3.3=1.155\text{W}$

And junction temperature is

$$T_{\text{Junction}} = 25^{\circ}\text{C} + 18.2 \times 1.155 = 46.021^{\circ}\text{C} \quad (\text{total surface area } = 90\text{cm}^2)$$

$$T_{\text{Junction}} = 25^{\circ}\text{C} + 21 \times 1.155 = 49.255^{\circ}\text{C} \quad (\text{total surface area } = 60\text{cm}^2)$$

$$T_{\text{Junction}} = 25^{\circ}\text{C} + 29.4 \times 1.155 = 58.957^{\circ}\text{C} \quad (\text{total surface area } = 30\text{cm}^2)$$

**Example : Junction Temperature Calculation**

*One white LED is used under ambient temperature ( $T_{Ambient}$ ) of 30 °C. This LED is soldered on MCPCB (Area=10cm<sup>2</sup>). Calculate junction temperature.*

Assuming a forward voltage of  $V_f=3.3V$  at 350mA and total power dissipated is

$$P_{Dissipation}=1 \times 0.35 \times 3.3= 1.155 \text{ W.}$$

LED  $R_{th(J-S)}=10 \text{ }^\circ\text{C/W}$ .

With good design,  $R_{th(S-G)}$  can be minimized to 1 °C/W.

$R_{th(G-B)}$  of a standard MCPCB can be 1.5 °C/W.

The  $R_{th}$  between board and air is mainly dependent on the total surface area.

Therefore it can be calculated in formula  $\frac{500}{\text{Area(cm)}^2}$

$$R_{th(B-A)}= \frac{500}{10} =50 \text{ }^\circ\text{C/W.}$$

Following the formula  $T_{Junction} =T_{Ambient} + R_{th(J-A)} \times P_{Dissipation}$

$$T_{Junction}=30 \text{ }^\circ\text{C} + (10 \text{ }^\circ\text{C/W} +1 \text{ }^\circ\text{C/W} +1.5 \text{ }^\circ\text{C/W} +50 \text{ }^\circ\text{C/W}) \times 1.155\text{W}$$

$$=102.1875 \text{ }^\circ\text{C}$$

That means this LED emitter is operated under good condition( $T_{Junction}<125 \text{ }^\circ\text{C}$ ).

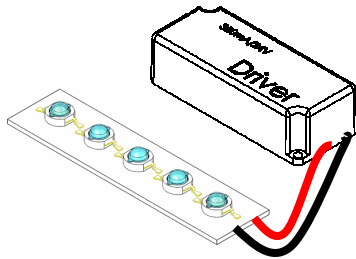
It's strongly recommended to keep the junction temperature under 125 °C

Or keep the temperature of emitter lead not exceed 55°C

## Product Electrical Application Information

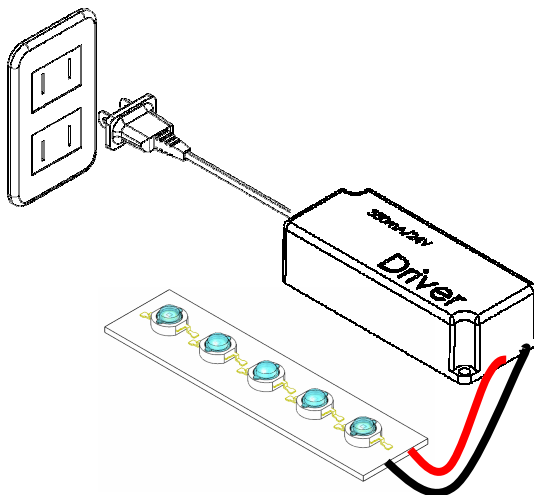
Following graphs and descriptions show how to connect LED or LED module and plug to AC outlet.

Step1: Connect the wires of LED Module to the DC output of the driver.



<Figure 33. LED Module connect to the DC output of the driver>

Step2 : Plug the driver to AC outlet.

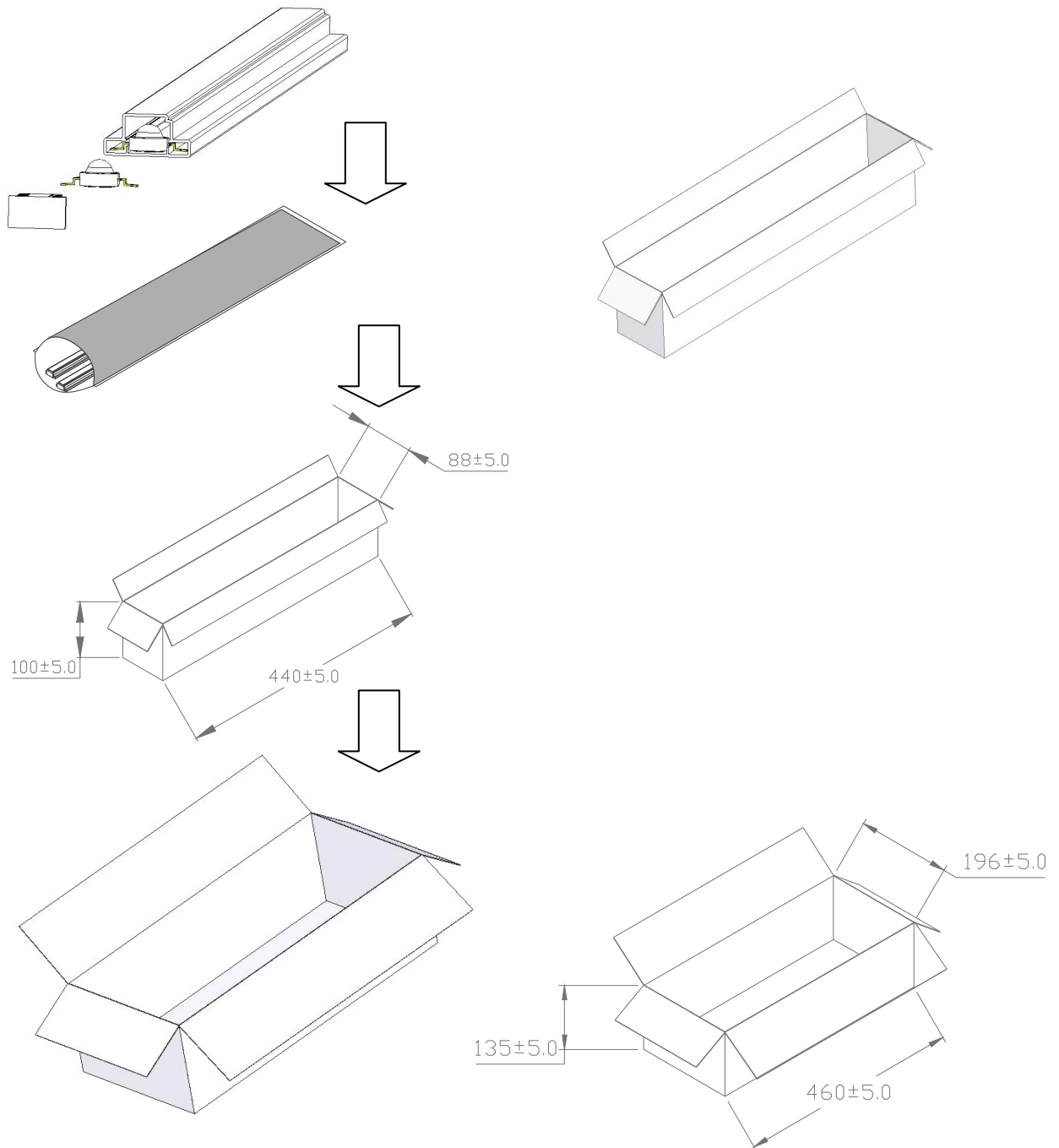


<Figure 34. Plug the AC output of the driver to AC outlet>

Caution: Never plug the driver to AC outlet before the LED Module is properly connected as this may generate transient voltage damage the LEDs permanently with a short or open circuit.

## Product Packaging Information

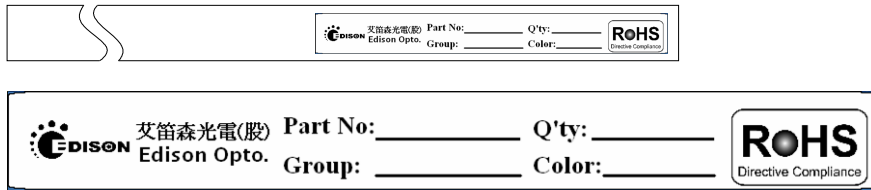
### Package Specifications



<Figure 35. Package steps and dimensions >

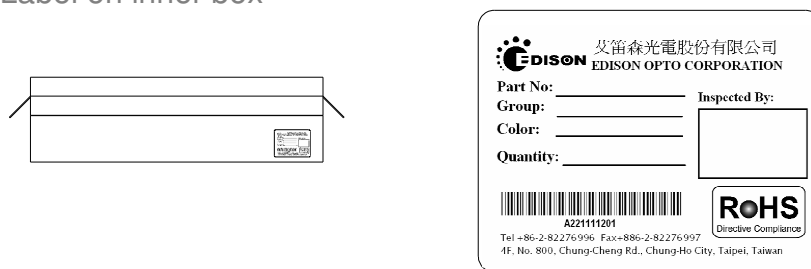
## Label

Label on tube :



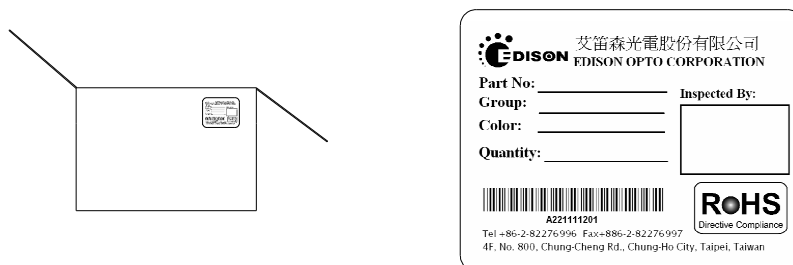
<Figure 35. Label on tube >

Label on inner box :



<Figure 36. Label on inner box >

Label on outer box :

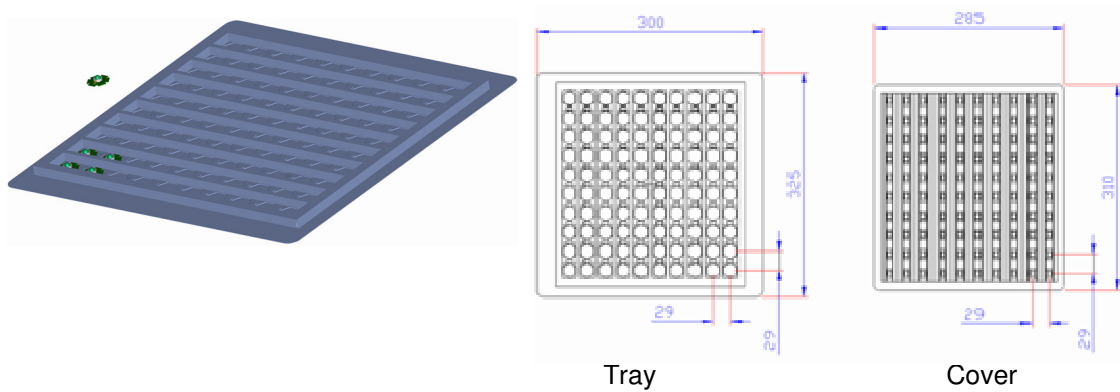


<Figure 37. Label on outer box>

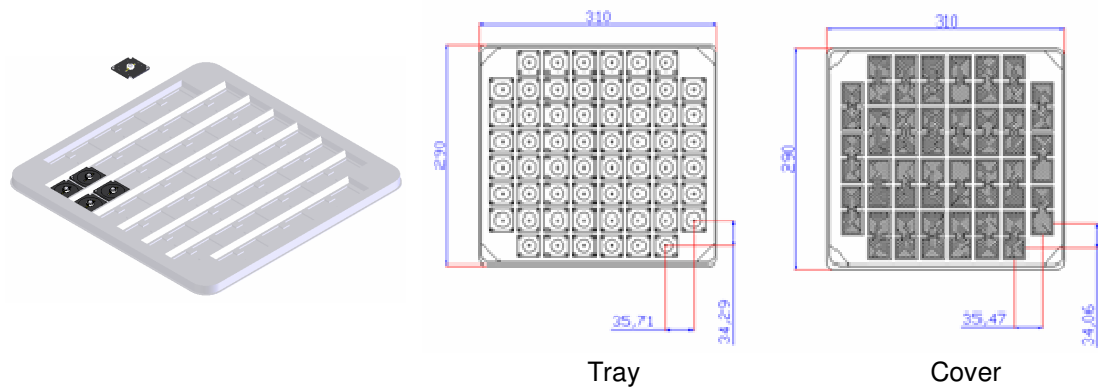
## Notes:

1. All dimensions are in mm.
2. There are 50pcs emitters in a tube
3. There are 20 tubes in a bag.
4. There are 2 bags in a inner box
5. A bag contains one humidity indicator card and drying agent

## Star Product Packaging Information

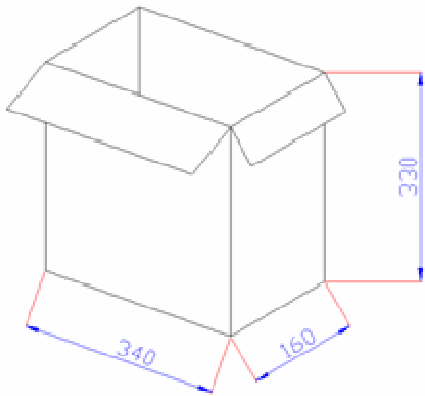


Item	Quantity	Total	Dimensions(mm)
Tray	100pcs	100pcs	325*300
Inner box	10 Tray	1,000pcs	340*330*160
Outer box	2 inner boxes	2,000pcs	350*350*340

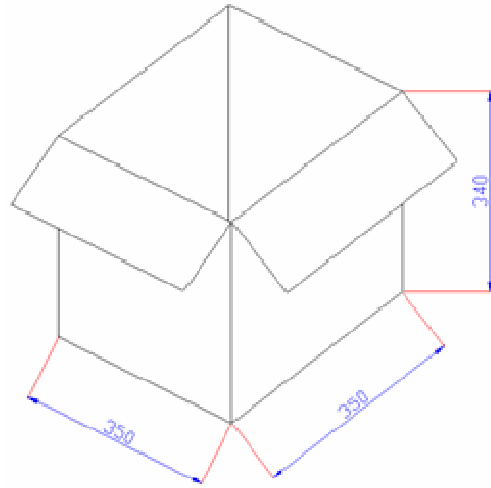


Item	Quantity	Total	Dimensions(mm)
Tray	60pcs	60pcs	310*290
Inner box	10 Tray	600pcs	340*330*160
Outer box	2 inner boxes	1200pcs	350*350*340

<Figure 38. Edixeon® Star Package>



Inner box



Outer box

<Figure 39. Edixeon<sup>®</sup> A star package and dimensions >

**Notes:**

1. All dimensions are in mm.
2. There are 60 pcs stars in a tray.(Tray+Cover)
3. There are 10 trays in an inner box.
4. There are 2 inner boxes in an outer box.